



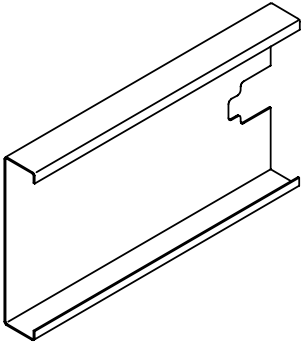
PRODUCT TECHNICAL GUIDE

Steel Stud Manufacturers Association



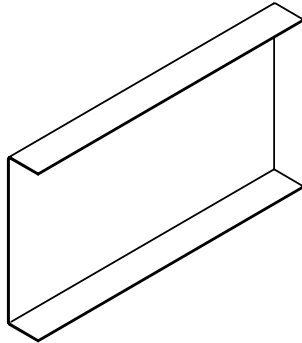
Note:

For sections available in both 33 and 50 ksi, the specifier must clearly indicate which yield point is required when ordering. For example: 600S162-54 (50 ksi).

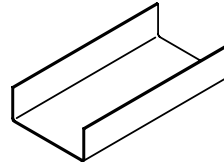


**"S" - C-STUD/JOIST
S-SECTIONS***

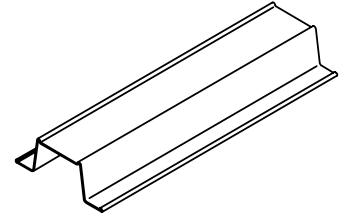
** For "S" members, see table on page 5 for stiffening lip length.*



**"T" - TRACK
T-SECTIONS**



**"U" - CHANNEL
U-SECTIONS**



**"F" - FURRING CHANNEL
F-SECTIONS**

Nomenclature Example

All SSMA products have a four-part identification code that identifies the web depth, flange width, style, and mil thickness.

Member Web Depth

(Example: 6" = **600** × 1/100 inch)

All member depths are given in 1/100 inch.

For all "T" sections, member depth is the inside to inside dimension.

Flange Width

(Example: 1 5/8" = 1.625" ≈ **162** × 1/100 inch)

All flange widths are given in 1/100 inch.



Style

(Example: Stud or Joist section = **S**)

Nomenclature uses the following four characters to designate the profile:

- S** = Stud or Joist Sections
- T** = Track Sections
- U** = Channel Sections
- F** = Furring Channel Sections

Mil Thickness

(Example: 0.054" = **54** mils; 1 mil = 1/1000 inch)

Mil thickness is the minimum base steel thickness measured in 1/1000 inch. Minimum base steel thickness represents 95 percent of the design thickness.

General Product Information	4 - 5	Soffit/Ceiling Table Notes & Bracing Details Spans	61 - 67
Mission Statement.....	4	Mid-Span Bracing Details for Ceilings.....	61
Introduction.....	4	Interior Allowable Ceiling/Soffit Spans (S-Sections) - L/240.....	62
Technical Assistance.....	4	Interior Allowable Ceiling/Soffit Spans (S-Sections) - L/360.....	63
Code Approval.....	4	Exterior Allowable Ceiling/Soffit Spans (S-Sections) - L/240.....	64 - 65
Material Specifications.....	4	Exterior Allowable Ceiling/Soffit Spans (S-Sections) - L360.....	66 - 67
Disclaimer.....	4	(Hat) Section Properties & Ceiling Spans (F-Sections)	64
General Notes for All Tables.....	5	(Hat) Furring channel Section Properties (F-Sections).....	68
Steel Thickness Table.....	5	(Hat) Furring Channel Allowable Ceiling Spans (F-Sections) - L/240.....	68
Stiffening Lip Length Table.....	5	(Hat) Furring Channel Allowable Ceiling Spans (F-Sections) - L/360.....	68
Definitions of Structural Property Symbols.....	6	Section Properties & Ceiling Spans (U-Sections)	69
Web Depth-to-Thickness Ratios.....	6	U-Channel Section Properties.....	69
Section Properties	7 - 18	Allowable Ceiling Spans (U-Sections) - L/240.....	69
Nonstructural (S) Section Properties.....	7	Allowable Ceiling Spans (U-Sections) - L/360.....	69
Structural (S) Section Properties.....	8 - 14	Screw and Weld Capacities	70
Track (T) Section Properties.....	15 - 18	Allowable Screw Connection Capacity.....	70
Interior Wall Height Tables	19 - 24	Allowable Weld Capacity.....	70
Interior Wall Heights - Composite.....	19 - 20	Typical Details	71
Interior Wall Limiting Heights Non-Composite - Fully Braced.....	21 - 22	Flat Strap Lateral Bracing.....	71
Interior Wall Limiting Heights Braced at 48" oc.....	23 - 24	Deflection Track.....	71
Exterior Wall Height Tables	25 - 30	U-Channel Lateral Bracing.....	71
Curtain Wall Limiting Heights Single Span.....	25 - 27	Slide Clip Attachment.....	71
Curtain Wall Limiting Heights Double Span.....	28 - 30	Wall Stud Web Stiffener.....	71
Combined Axial and Lateral Loads	31 - 41	Code Compliance Certification Program	Back Cover
5 psf Lateral Load (Interior Walls).....	31 - 32		
15 psf Lateral Load.....	32 - 33		
20 psf Lateral Load.....	34 - 35		
25 psf Lateral Load.....	35 - 36		
30 psf Lateral Load.....	36 - 37		
35 psf Lateral Load.....	38 - 39		
40 psf Lateral Load.....	39 - 40		
50 psf Lateral Load.....	40 - 41		
Floor Joist Spans	42 - 55		
Floor Joist Bridging and Bracing Requirements.....	42		
Joist Bridging Detail.....	42		
10 psf Dead Load and 20 psf Live Load.....	43 - 44		
10 psf Dead Load and 30 psf Live Load.....	45 - 46		
10 psf Dead Load and 40 psf Live Load.....	47 - 48		
10 psf Dead Load and 50 psf Live Load.....	49 - 50		
15 psf Dead Load and 125 psf Live Load.....	51 - 52		
40 psf Dead Load and 125 psf Live Load.....	53 - 54		
Floor Joist Web Stiffener Details.....	55		
Header Loads	56 - 57		
Web Crippling Loads	58 - 60		
Web Crippling Conditions.....	58		
Allowable Web Crippling Loads (lbs) Single Members (S-Sections).....	59		
Allowable Web Crippling Loads (lbs) Back-to-Back Members (S-Sections).....	60		
(Hat) Furring Channel Properties (F-Sections)	61		
(Hat) Furring Channel Section Properties (F-Sections).....	61		



Mission Statement

The SSMA's mission is to be the unified voice of the steel framing manufacturing industry, by being the leader in supporting the development and maintenance of quality product standards and specifications, and by creating growth opportunities for cold-formed steel through research, marketing, and education.

Introduction

The increasing environmental concerns in the world today have caused us all to examine the way we live. These issues have affected every aspect of our lives, including the materials we use in construction. The use of cold-formed steel members benefit the environment, contractor, designer, and developer more than other material.

Steel is not only a recyclable product, but also a stronger product that allows for longer clear-spans. Cold-formed steel is lighter to provide ease of handling, and is a dimensionally stable product, giving a "straight" wall with which to work. It doesn't suffer fluctuation in price, making it easier to bid a project. Quality control is stressed in all phases of the manufacturing process so the highest possible quality is delivered to the jobsite. The structural shapes manufactured are easily used for nonstructural and structural wall assemblies, floor and ceiling joist assemblies, trusses, and panelized systems.

SSMA in collaboration with the American Iron and Steel Institute (AISI) has developed and adopted a standard designator system for identifying cold-formed steel framing members. Using a standard system will eliminate the confusion caused by individual manufacturers' varied designators.

Technical Assistance

Professional technical assistance is available through SSMA or individual manufacturers' technical departments.

Code Approval

SSMA structural and nonstructural cold-formed framing product specifications meet the stringent requirements of International Code Council Evaluation Services in conjunction with SSMA ICC-ES evaluation report (ESR-3064P). The product specification and documented quality control system & procedures are verified during regular inspections by ICC-ES, the leader in the technical evaluations for code compliance of the building products.

Material Specifications

Structural and nonstructural members are coated to meet the minimum code requirements. Higher corrosion protection coatings such as G90 are available upon request. Products manufactured by SSMA members are cold-formed from corrosion protected steel coils or sheets and meet the following specifications requirements:

Product Type	Material Specifications	Min Yield	Min Tensile	Minimum Metallic Coating Designation
Nonstructural Products ASTM C645	ASTM A653, SS Grade 33	33 ksi	45 ksi	G40
	ASTM A1003, Grade 33 (NS33)	33 ksi	... ^A	G40 ¹ , A40 ¹ , AZ50 ² , GF30 ³ , T1-25 ⁴ , T2-100 ⁴ , 60G/60G ⁵
Structural Products ASTM C955 (CP60 Coatings)	ASTM A653, SS Grade 33	33 ksi	45 ksi	G60
	ASTM A1003, Grade 33 Type H (ST33H)	33 ksi	45 ksi	G60 ¹ , A60 ¹ , AZ50 ² , GF30 ³
	ASTM A653, SS Grade 50 Class 1	50 ksi	65 ksi	G60
	ASTM A1003, Grade 50 Type H (ST50H)	50 ksi	65 ksi	G60 ¹ , A60 ¹ , AZ50 ² , GF30 ³
	ASTM A653 HSLA Grade 50	50 ksi	65 ksi	G60

¹A653 Standard for steel sheet, zinc coated (galvanized) or zinc-iron alloy-coated (galvannealed) by the hot-dip process

²A792 Standard for steel sheet, 55% aluminum-zinc alloy-coated by the hot-dip process

³A875 Standard for steel sheet, zinc-5% aluminum alloy-coated by the hot-dip process

⁴A463 Standard for steel sheet, aluminum coated by the hot-dip process

⁵A879 Standard for steel sheet, zinc coated by the electrolytic process for application requiring designation of the coating mass on each surface

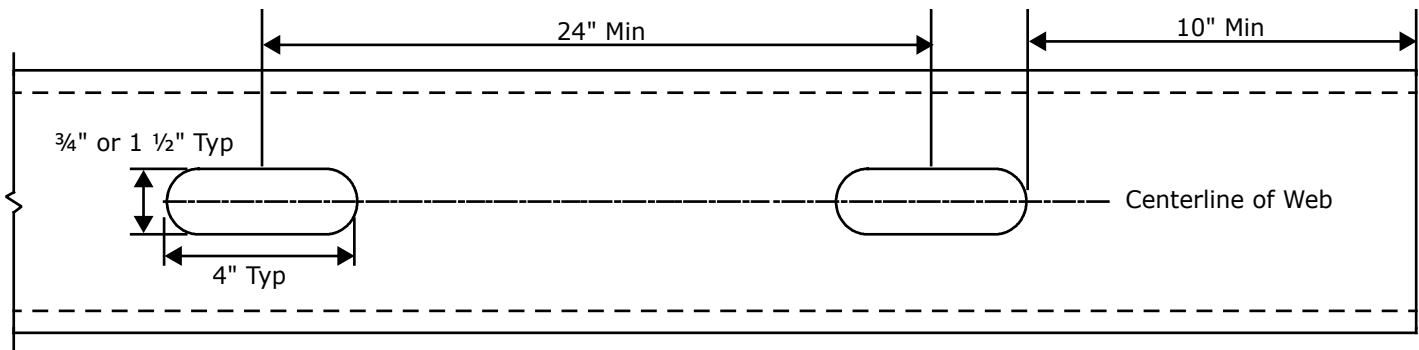
^ANo tensile requirements for nonstructural steel in accordance with ASTM A1003 standards

Disclaimer

All data, specifications, and details contained in this publication are intended as a general guide for using SSMA members' products. These products should not be used in design or construction without an independent evaluation by a qualified engineer or architect to verify the suitability of a particular product for use in a specific application. The SSMA and its members assume no liability for product failure resulting from the use or misapplication of computations, detail drawings, and specifications contained herein. This publication contains the latest information available at the time of printing with respect to the referenced building codes and standards. The SSMA and its members reserve the right to make modifications and/or change materials of any of their products without prior notice or obligation. For the latest information regarding a particular manufacturer's products, contact that manufacturer. All SSMA manufacturers may not produce all of the products contained in this catalog. Please contact individual manufacturer to verify product availability.

General Notes for All Tables

- The values in this catalog are based on the 2007 edition of North American Specification for the Design of Cold-Formed Steel Structural Members, AISI S100-07 as referenced by 2009 International Building Code (IBC) and AISI S100-07 with Supplement S2-10 as referenced by 2012 IBC.
- Where AISI S100 is referenced, it is the North American Specification for the Design of Cold-Formed Steel Structural Members, S100-07 and AISI S100-07 with Supplement S2-10, as applicable with U.S. provisions.
- The structural properties included in this catalog have been computed based on allowable strength design (ASD) method.
- Distortional buckling calculations are based on $K\phi = 0$.
- The effective moment of inertia for deflection is calculated at a stress that results in a section modulus such that the stress times the section modulus at that stress is equal to the allowable moment. AISI S100 Procedure I for serviceability determination has been used.
- Various sections may be manufactured with yield points of 33 or 50 kips per square inch (ksi). The yield point used for calculations is indicated in the tables.
- For sections available in both 33 and 50 ksi, the specifier must clearly indicate which yield point is required. For example: 362S162-54 (50 ksi).
- Conditions with loads that exceed the 10 psf limit for nonstructural members require an approved CP60 coating.
- When provided, factory punchouts will be located along the center line of the webs of the stud members and will have a minimum center-to-center spacing of 24". Punchouts for members greater than 2 1/2" deep are a maximum of 1 1/2" wide x 4 1/2" long. Members with depths 2 1/2" and smaller are maximum 3/4" wide x 4 1/2" long. Any configuration or combination of holes that fit within the punchout width and length limitations mentioned above shall be permitted; other punchout configurations and locations not in compliance with limitations listed above must be approved by a design professional. Values herein are based on punchout configuration and location as illustrated below.
- The 10" end distance shown may be altered if calculations are in conformance with code.



Steel Thickness Table

Designation Thickness (mil)	Minimum Thickness ¹ (in)	Design Thickness ¹ (in)	Design Inside Corner Radii ² (in)	Reference Only Gauge No.
18	0.0179	0.0188	0.0843	25
27	0.0269	0.0283	0.0796	22
30	0.0296	0.0312	0.0781	20 – Drywall
33	0.0329	0.0346	0.0764	20 – Structural
43	0.0428	0.0451	0.0712	18
54	0.0538	0.0566	0.0849	16
68	0.0677	0.0713	0.1069	14
97	0.0966	0.1017	0.1525	12
118	0.1180	0.1242	0.1863	10

Stiffening Lip Length Table

Member	Flange Width	Stiffening Lip Length (in)
S125	1 1/4"	0.188
S137	1 3/8"	0.375
S162	1 3/8"	0.500
S200	2"	0.625
S250	2 1/2"	0.625
S300	3"	0.625
S350	3 1/2"	1.000

¹Minimum thickness represents 95% of the design thickness and is the minimum acceptable thickness delivered to the jobsite based on AISI S100-07 Section A2.4.

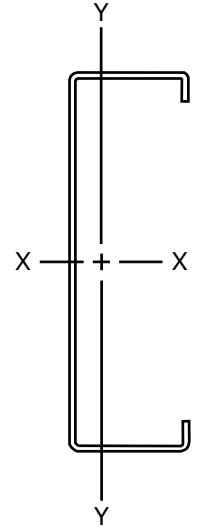
²The tables in this catalog are calculated based on inside corner radii listed in this table. The inside corner radius is the maximum of $\frac{3}{32} - t/2$ or $1.5t$, truncated after the fourth decimal place ($t =$ design thickness). Centerline bend radius is calculated by adding half of the design thickness to listed corner radius.

Gross Properties

- I_x : Moment of inertia of the cross section about the x-axis.
- S_x : Section modulus about the x-axis.
- R_x : Radius of gyration of cross section about the x-axis.
- I_y : Moment of inertia of cross section about the y-axis.
- R_y : Radius of gyration of cross section about the y-axis.

Effective Properties

- I_{xe} : Effective moment of inertia about the x-axis.
- S_{xe} : Effective section modulus about the x-axis.
- M_{al} : Allowable moment based on local buckling.
- M_{ad} : Allowable moment based on distortional buckling, assuming $K\phi = 0$.
- M_a : Allowable moment for track and channel members, based on local buckling only.
- V_{ag} : Allowable strong axis shear away from punchout, calculated in accordance with AISI S100 Section C3.2.1.
- V_{anet} : Allowable strong axis shear at the punchout, calculated in accordance with AISI S100 Section C3.2.2.



Torsional and Other Properties

- J : St. Venant torsional constant. The numbers shown in the tables for J have been multiplied by 1,000. The actual values can be obtained by dividing the listed numbers by 1,000.
- C_w : Torsional warping constant.
- X_o : Distance from the shear center to the centroid along the principal x-axis.
- m : Distance from shear center to mid-plane of web.
- R_o : Polar radius of gyration of cross section about the shear center.
- β : $1 - (X_o/R_o)^2$
- L_u : Critical unbraced length for lateral-torsional buckling. Members are considered fully braced when unbraced length is less than L_u .
- $K\phi$: Distortional buckling moment (M_{ad}) is calculated without the beneficial effect of sheathing to rotational stiffness. $K\phi = 0$.

Web Depth (h) to Thickness (t) Ratios ^{2,3,4}

Mil Thickness	18 mil		27 mil		30 mil		33 mil		43 mil		54 mil		68 mil		97 mil		118 mil	
Design Thickness (in)	0.0188		0.0283		0.0312		0.0346		0.0451		0.0566		0.0713		0.1017		0.1242	
Inside Bend Radius (in)	0.0843		0.0796		0.0781		0.0764		0.0712		0.0849		0.1069		0.1525		0.1863	
Depth (in)	h (in)	h/t	h (in)	h/t	h (in)	h/t	h (in)	h/t	h (in)	h/t	h (in)	h/t	h (in)	h/t	h (in)	h/t	h (in)	h/t
1.625	1.419	75	1.409	50	1.406	45	1.403	41	1.392	31	1.342	24	1.269	18	1.117	11	1.004	8
2.5	2.294	122	2.284	81	2.281	73	2.278	66	2.267	50	2.217	39	2.144	30	1.992	20	1.879	15
3.5	3.294	175	3.284	116	3.281	105	3.278	95	3.267	72	3.217	57	3.144	44	2.992	29	2.879	23
3.625	3.419	182	3.409	120	3.406	109	3.403	98	3.392	75	3.342	59	3.269	46	3.117	31	3.004	24
4	3.794	202 ¹	3.784	134	3.781	121	3.778	109	3.767	84	3.717	66	3.644	51	3.492	34	3.379	27
5.5	5.294	-	5.284	187	5.281	169	5.278	153	5.267	117	5.217	92	5.144	72	4.992	49	4.879	39
6	5.794	-	5.784	204 ¹	5.781	185	5.778	167	5.767	128	5.717	101	5.644	79	5.492	54	5.379	43
8	7.794	-	7.784	-	7.781	249 ¹	7.778	225 ¹	7.767	172	7.717	136	7.644	107	7.492	74	7.379	59
10	9.794	-	9.784	-	9.781	-	9.778	-	9.767	217 ¹	9.717	172	9.644	135	9.492	93	9.379	76
12	11.794	-	11.784	-	11.781	-	11.778	-	11.767	-	11.717	207 ¹	11.644	164	11.492	113	11.379	92
14	13.794	-	13.784	-	13.781	-	13.778	-	13.767	-	13.717	242 ¹	13.644	192	13.492	133	13.379	108
16	15.794	-	15.784	-	15.781	-	15.778	-	15.767	-	15.717	-	15.644	220 ¹	15.492	152	15.379	124

¹h/t exceeds 200

²h value used for h/t calculation is the flat width of the web. For S members, this is the out-to-out member size, minus twice the thickness, minus twice the inside bend radius.

³h/t values exceeding 260 are marked with a dash (-).

⁴h/t values in this table apply to S (studs and joists) members only and do not apply to tracks and channels.

Structural (S) Section Properties



Section	Design Thickness (in)	Fy (ksi)	Gross Properties								Effective Properties						Torsional Properties						Lu (in)
			Area (in ²)	Weight (lb/ft)	Ix (in ⁴)	Sx (in ³)	Rx (in)	Iy (in ⁴)	Ry (in)	Ixe (in ⁴)	Sxe (in ³)	Mal (in-k)	Mad (in-k)	Vag (lb)	Vanet (lb)	Jx1000 (in ⁴)	Cw (in ⁶)	Xo (in)	m (in)	Ro (in)	ρ		
362S137-33	0.0346	33	0.236	0.80	0.479	0.264	1.424	0.059	0.501	0.479	0.232	4.59	4.73	1024	521	0.094	0.165	-1.003	0.615	1.813	0.694	34.7	
362S137-43	0.0451	33	0.306	1.04	0.616	0.340	1.419	0.075	0.497	0.616	0.320	6.32	6.65	1739	676	0.207	0.208	-0.991	0.608	1.801	0.697	34.6	
362S137-54	0.0566	33	0.379	1.29	0.756	0.417	1.411	0.091	0.490	0.756	0.402	7.94	8.24	2341	705	0.405	0.251	-0.978	0.601	1.785	0.700	34.6	
362S137-54	0.0566	50	0.379	1.29	0.756	0.417	1.411	0.091	0.490	0.756	0.381	11.42	11.91	3372	1016	0.405	0.251	-0.978	0.601	1.785	0.700	27.9	
362S137-68	0.0713	33	0.470	1.60	0.922	0.509	1.401	0.109	0.480	0.922	0.498	9.84	10.05	2884	662	0.797	0.302	-0.959	0.592	1.764	0.704	34.6	
362S137-68	0.0713	50	0.470	1.60	0.922	0.509	1.401	0.109	0.480	0.922	0.493	14.77	15.24	4370	1004	0.797	0.302	-0.959	0.592	1.764	0.704	27.8	
362S137-97	0.1017	33	0.648	2.20	1.229	0.678	1.377	0.137	0.46	1.229	0.662	16.36	16.75	3922	577	2.233	0.390	-0.922	0.573	1.720	0.713	30.9	
362S137-97	0.1017	50	0.648	2.20	1.229	0.678	1.377	0.137	0.46	1.229	0.662	24.1	24.67	5943	875	2.233	0.390	-0.922	0.573	1.720	0.713	25.1	
362S162-33	0.0346	33	0.262	0.89	0.551	0.304	1.450	0.099	0.616	0.551	0.268	5.29	5.43	1024	521	0.105	0.297	-1.308	0.789	2.048	0.592	42.6	
362S162-43	0.0451	33	0.340	1.16	0.710	0.392	1.445	0.127	0.611	0.710	0.372	7.34	7.62	1739	676	0.230	0.376	-1.297	0.782	2.036	0.594	42.5	
362S162-54	0.0566	33	0.422	1.44	0.873	0.481	1.438	0.154	0.604	0.873	0.466	9.22	9.51	2341	705	0.451	0.457	-1.283	0.774	2.020	0.597	42.5	
362S162-54	0.0566	50	0.422	1.44	0.873	0.481	1.438	0.154	0.604	0.873	0.444	13.28	13.59	3372	1016	0.451	0.457	-1.283	0.774	2.020	0.597	34.4	
362S162-68	0.0713	33	0.524	1.78	1.069	0.590	1.429	0.186	0.596	1.069	0.579	11.43	11.65	2884	662	0.887	0.552	-1.264	0.765	1.998	0.600	42.7	
362S162-68	0.0713	50	0.524	1.78	1.069	0.590	1.429	0.186	0.596	1.069	0.574	17.18	17.65	4370	1004	0.887	0.552	-1.264	0.765	1.998	0.600	34.3	
362S162-97	0.1017	33	0.724	2.46	1.435	0.792	1.408	0.241	0.577	1.435	0.776	18.62	19.00	3922	577	2.496	0.723	-1.226	0.745	1.954	0.606	38.9	
362S162-97	0.1017	50	0.724	2.46	1.435	0.792	1.408	0.241	0.577	1.435	0.776	27.52	28.08	5943	875	2.496	0.723	-1.226	0.745	1.954	0.606	31.5	
362S200-33	0.0346	33	0.297	1.01	0.648	0.358	1.478	0.177	0.772	0.647	0.294	5.81	6.19	1024	521	0.118	0.577	-1.741	1.030	2.411	0.478	53.6	
362S200-43	0.0451	33	0.385	1.31	0.836	0.461	1.474	0.227	0.767	0.836	0.427	8.43	8.70	1739	676	0.261	0.734	-1.729	1.024	2.398	0.480	53.5	
362S200-54	0.0566	33	0.479	1.63	1.030	0.568	1.467	0.277	0.761	1.030	0.553	10.93	11.23	2341	705	0.511	0.896	-1.715	1.016	2.382	0.482	53.6	
362S200-54	0.0566	50	0.479	1.63	1.030	0.568	1.467	0.277	0.761	1.030	0.490	14.66	15.47	3372	1016	0.511	0.896	-1.715	1.016	2.382	0.482	43.3	
362S200-68	0.0713	33	0.595	2.02	1.265	0.698	1.458	0.337	0.753	1.265	0.687	15.29 ²	15.54	2884	662	1.008	1.089	-1.696	1.006	2.360	0.484	50.6	
362S200-68	0.0713	50	0.595	2.02	1.265	0.698	1.458	0.337	0.753	1.265	0.666	19.95	20.51	4370	1004	1.008	1.089	-1.696	1.006	2.360	0.484	43.3	
362S200-97	0.1017	33	0.826	2.81	1.711	0.944	1.44	0.446	0.735	1.711	0.928	21.59	21.95	3922	577	2.847	1.441	-1.658	0.986	2.315	0.487	50.0	
362S200-97	0.1017	50	0.826	2.81	1.711	0.944	1.44	0.446	0.735	1.711	0.928	32.03	32.57	5943	875	2.847	1.441	-1.658	0.986	2.315	0.487	40.5	
362S250-43	0.0451	33	0.43	1.46	0.98	0.541	1.51	0.385	0.946	0.98	0.449	8.88	9.35	1739	676	0.292	1.230	-2.199	1.277	2.830	0.396	64.2	
362S250-54	0.0566	33	0.535	1.82	1.21	0.668	1.504	0.473	0.94	1.21	0.582	11.51	12.46	2341	705	0.571	1.506	-2.184	1.269	2.813	0.397	64.3	
362S250-54	0.0566	50	0.535	1.82	1.21	0.668	1.504	0.473	0.94	1.205	0.514	15.40	16.54	3372	1016	0.571	1.506	-2.184	1.269	2.813	0.397	52.0	
362S250-68	0.0713	33	0.666	2.27	1.49	0.822	1.496	0.578	0.931	1.49	0.774	16.85	17.68	2884	662	1.129	1.837	-2.165	1.259	2.791	0.398	61.4	
362S250-68	0.0713	50	0.666	2.27	1.49	0.822	1.496	0.578	0.931	1.49	0.689	20.63	22.17	4370	1004	1.129	1.837	-2.165	1.259	2.791	0.398	52.0	
362S250-97	0.1017	33	0.927	3.16	2.027	1.118	1.478	0.772	0.912	2.027	1.100	24.85	25.26	3922	577	3.197	2.452	-2.126	1.239	2.746	0.400	61.0	
362S250-97	0.1017	50	0.927	3.16	2.027	1.118	1.478	0.772	0.912	2.027	1.046	35.17	36.93	5943	875	3.197	2.452	-2.126	1.239	2.746	0.400	49.3	
362S300-54	0.0566	33	0.592	2.01	1.390	0.767	1.533	0.734	1.114	1.383	0.607	11.99	13.22	2341	705	0.632	2.316	-2.659	1.522	3.265	0.337	74.5	
362S300-54	0.0566	50	0.592	2.01	1.390	0.767	1.533	0.734	1.114	1.312	0.529	15.83	17.34	3372	1016	0.632	2.316	-2.659	1.522	3.265	0.337	60.2	
362S300-68	0.0713	33	0.738	2.51	1.716	0.947	1.525	0.900	1.105	1.716	0.811	16.02	17.65	2884	662	1.250	2.833	-2.640	1.512	3.243	0.337	74.9	
362S300-68	0.0713	50	0.738	2.51	1.716	0.947	1.525	0.900	1.105	1.684	0.716	21.44	23.42	4370	1004	1.250	2.833	-2.640	1.512	3.243	0.337	60.4	
362S300-97	0.1017	33	1.029	3.50	2.343	1.292	1.509	1.213	1.086	2.343	1.217	26.95	28.61	3922	577	3.548	3.803	-2.600	1.491	3.196	0.338	71.6	
362S300-97	0.1017	50	1.029	3.50	2.343	1.292	1.509	1.213	1.086	2.32	1.150	34.42	36.41	5943	875	3.548	3.803	-2.600	1.491	3.196	0.338	60.9	
400S137-33	0.0346	33	0.249	0.85	0.603	0.301	1.556	0.061	0.496	0.603	0.259	5.12	5.29	976	595	0.099	0.204	-0.965	0.597	1.897	0.741	34.5	
400S137-43	0.0451	33	0.323	1.10	0.776	0.388	1.551	0.078	0.491	0.776	0.359	7.09	7.47	1739	810	0.219	0.257	-0.954	0.591	1.885	0.744	34.3	
400S137-54	0.0566	50	0.401	1.36	0.953	0.477	1.542	0.094	0.484	0.953	0.428	12.82	13.38	3372	1223	0.428	0.311	-0.940	0.583	1.870	0.747	27.7	
400S137-68	0.0713	33	0.497	1.69	1.165	0.582	1.531	0.112	0.475	1.165	0.567	11.21	11.51	3215	895	0.842	0.375	-0.922	0.574	1.849	0.751	34.2	
400S137-68	0.0713	50	0.497	1.69	1.165	0.582	1.531	0.112	0.475	1.165	0.558	16.70	17.44	4871	1356	0.842	0.375	-0.922	0.574	1.849	0.751	27.6	
400S137-97	0.1017	33	0.686	2.33	1.557	0.779	1.507	0.142	0.454	1.557	0.764	18.88	19.23	4394	797	2.365	0.486	-0.885	0.555	1.806	0.760	30.5	
400S137-97	0.1017	50	0.686	2.33	1.557	0.779	1.507	0.142	0.454	1.557	0.764	27.81	28.33	6658	1207	2.365	0.486	-0.885	0.555	1.806	0.760	24.8	
400S162-33	0.0346	33	0.275	0.94	0.692	0.346	1.586	0.103	0.611	0.692	0.299	5.91	6.07	976	595	0.110	0.363	-1.263	0.768	2.118	0.644	42.3	
400S162-43	0.0451	33	0.357	1.21	0.892	0.446	1.581	0.131	0.606	0.892	0.417	8.23	8.54	1739	810	0.242	0.460	-1.252	0.761	2.106	0.647	42.2	
400S162-54	0.0566	33	0.443	1.51	1.098	0.549	1.574	0.159	0.600	1.098	0.526	10.39	10.84	2603	944	0.473	0.560	-1.238	0.754	2.090	0.649	42.2	
400S162-54	0.0566	50	0.443	1.51	1.098	0.549	1.574	0.159	0.600	1.098	0.498	14.90	15.25	3372	1223	0.473	0.560	-1.238	0.754	2.090	0.649	34.1	
400S162-68	0.0713	33	0.550	1.87	1.346	0.673	1.564	0.192	0.591	1.346	0.658	13.00	13.30	3215	895	0.933	0.677	-1.220	0.745	2.069	0.653	42.2	
400S162-68	0.0713	50	0.550	1.87	1.346	0.673	1.564	0.192	0.591	1.346	0.648	19.41	20.15	4871	1356	0.933	0.677	-1.220	0.745	2.069	0.653	34.0	
400S162-97	0.1017	33	0.762	2.59	1.812	0.906	1.542	0.249	0.572	1.812	0.892	21.40	21.75	4394	797	2.628	0.889	-1.182	0.725	2.025	0.659	38.3	
400S162-97	0.1017	50	0.762	2.59	1.812	0.90																	

Structural (S) Section Properties

Section	Design Thickness (in)	Fy (ksi)	Gross Properties							Effective Properties						Torsional Properties						Lu (in)
			Area (in ²)	Weight (lb/ft)	Ix (in ⁴)	Sx (in ³)	Rx (in)	Iy (in ⁴)	Ry (in)	Ixe (in ⁴)	Sxe (in ³)	Mal (in-k)	Mad (in-k)	Vag (lb)	Vanet (lb)	Jx1000 (in ⁴)	Cw (in ⁶)	Xo (in)	m (in)	Ro (in)	β	
400S250-43	0.0451	33	0.447	1.52	1.224	0.612	1.655	0.399	0.945	1.224	0.503	9.93	10.41	1739	810	0.303	1.486	-2.139	1.252	2.864	0.443	63.7
400S250-54	0.0566	33	0.556	1.89	1.512	0.756	1.649	0.49	0.938	1.512	0.653	12.9	13.91	2603	944	0.594	1.821	-2.124	1.244	2.848	0.444	63.8
400S250-54	0.0566	50	0.556	1.89	1.512	0.756	1.649	0.49	0.938	1.506	0.576	17.24	18.42	3372	1223	0.594	1.821	-2.124	1.244	2.848	0.444	51.6
400S250-68	0.0713	33	0.693	2.36	1.864	0.932	1.64	0.599	0.929	1.864	0.883	17.45	18.42	3215	895	1.174	2.225	-2.105	1.235	2.826	0.445	64
400S250-68	0.0713	50	0.693	2.36	1.864	0.932	1.64	0.599	0.929	1.864	0.775	23.19	24.76	4871	1356	1.174	2.225	-2.105	1.235	2.826	0.445	51.6
400S250-97	0.1017	33	0.966	3.29	2.541	1.271	1.622	0.801	0.911	2.541	1.253	28.31	28.7	4394	797	3.329	2.978	-2.066	1.214	2.78	0.448	60.3
400S250-97	0.1017	50	0.966	3.29	2.541	1.271	1.622	0.801	0.911	2.541	1.191	40.06	41.47	6658	1207	3.329	2.978	-2.066	1.214	2.78	0.448	48.8
400S300-54	0.0566	33	0.613	2.09	1.732	0.866	1.681	0.760	1.114	1.723	0.680	13.44	14.70	2603	944	0.655	2.802	-2.594	1.496	3.285	0.377	74.0
400S300-54	0.0566	50	0.613	2.09	1.732	0.866	1.681	0.760	1.114	1.637	0.592	17.72	19.25	3372	1223	0.655	2.802	-2.594	1.496	3.285	0.377	59.9
400S300-68	0.0713	33	0.764	2.60	2.139	1.070	1.673	0.933	1.105	2.139	0.914	18.06	19.68	3215	895	1.295	3.432	-2.574	1.486	3.263	0.378	74.3
400S300-68	0.0713	50	0.764	2.60	2.139	1.070	1.673	0.933	1.105	2.099	0.805	24.09	26.05	4871	1356	1.295	3.432	-2.574	1.486	3.263	0.378	60.0
400S300-97	0.1017	33	1.067	3.63	2.928	1.464	1.656	1.258	1.086	2.928	1.381	30.58	32.4	4394	797	3.679	4.619	-2.535	1.465	3.216	0.379	70.8
400S300-97	0.1017	50	1.067	3.63	2.928	1.464	1.656	1.258	1.086	2.897	1.307	39.12	40.72	6658	1207	3.679	4.619	-2.535	1.465	3.216	0.379	60.3
550S137-33	0.0346	33	0.301	1.02	1.283	0.467	2.064	0.067	0.472	1.283	0.453	8.95	7.48	699	699	0.12	0.411	-0.841	0.536	2.278	0.864	33.7
550S137-43	0.0451	33	0.391	1.33	1.655	0.602	2.059	0.085	0.467	1.655	0.592	13.08	11.6	1550	1199	0.265	0.52	-0.83	0.53	2.268	0.866	31.7
550S137-54	0.0566	33	0.486	1.65	2.039	0.741	2.049	0.103	0.46	2.039	0.741	16.77	15.9	2739	1666	0.519	0.632	-0.817	0.523	2.254	0.868	31.1
550S137-54	0.0566	50	0.486	1.65	2.039	0.741	2.049	0.103	0.46	2.039	0.714	24.03	20.88	3093	1881	0.519	0.632	-0.817	0.523	2.254	0.868	25.4
550S137-68	0.0713	33	0.604	2.05	2.503	0.91	2.036	0.123	0.451	2.503	0.91	21.22	21.22	4347	2057	1.023	0.764	-0.801	0.514	2.234	0.871	30.4
550S137-68	0.0713	50	0.604	2.05	2.503	0.91	2.036	0.123	0.451	2.503	0.909	31.42	28.89	5350	2532	1.023	0.764	-0.801	0.514	2.234	0.871	24.9
550S137-97	0.1017	33	0.838	2.85	3.38	1.229	2.008	0.155	0.43	3.38	1.229	30.35	30.35	6282	1997	2.891	0.997	-0.766	0.497	2.192	0.878	29.2
550S137-97	0.1017	50	0.838	2.85	3.38	1.229	2.008	0.155	0.43	3.38	1.229	44.72	44.72	9518	3026	2.891	0.997	-0.766	0.497	2.192	0.878	23.9
550S162-33	0.0346	33	0.327	1.11	1.458	0.530	2.112	0.113	0.589	1.458	0.512	10.11	8.63	699	699	0.130	0.713	-1.114	0.697	2.459	0.795	41.4
550S162-43	0.0451	33	0.424	1.44	1.883	0.685	2.107	0.145	0.584	1.883	0.681	14.79 ²	13.14	1550	1199	0.288	0.905	-1.103	0.691	2.448	0.797	39.2
550S162-54	0.0566	33	0.528	1.80	2.324	0.845	2.098	0.176	0.577	2.324	0.845	18.76 ²	17.87	2739	1666	0.564	1.105	-1.090	0.684	2.434	0.800	38.7
550S162-54	0.0566	50	0.528	1.80	2.324	0.845	2.098	0.176	0.577	2.324	0.811	26.86 ²	23.52	3093	1881	0.564	1.105	-1.090	0.684	2.434	0.800	31.6
550S162-68	0.0713	33	0.657	2.24	2.861	1.040	2.086	0.212	0.568	2.861	1.040	23.72 ²	23.72	4347	2057	1.114	1.342	-1.072	0.675	2.414	0.803	38.0
550S162-68	0.0713	50	0.657	2.24	2.861	1.040	2.086	0.212	0.568	2.861	1.031	34.94 ²	32.28	5350	2532	1.114	1.342	-1.072	0.675	2.414	0.803	31.1
550S162-97	0.1017	33	0.915	3.11	3.886	1.413	2.061	0.276	0.549	3.886	1.413	33.91	33.91	6282	1997	3.154	1.775	-1.037	0.656	2.372	0.809	36.8
550S162-97	0.1017	50	0.915	3.11	3.886	1.413	2.061	0.276	0.549	3.886	1.413	50.13	50.13	9518	3026	3.154	1.775	-1.037	0.656	2.372	0.809	30
550S200-33	0.0346	33	0.362	1.23	1.694	0.616	2.164	0.204	0.751	1.678	0.559	11.05	9.80	699	699	0.144	1.326	-1.508	0.925	2.742	0.698	51.9
550S200-43	0.0451	33	0.469	1.60	2.189	0.796	2.159	0.261	0.746	2.189	0.776	15.33	13.96	1550	1199	0.318	1.691	-1.496	0.918	2.731	0.700	51.7
550S200-54	0.0566	33	0.585	1.99	2.706	0.984	2.152	0.32	0.739	2.706	0.984	21.41	19.98	2739	1666	0.624	2.072	-1.483	0.911	2.716	0.702	49.2
550S200-54	0.0566	50	0.585	1.99	2.706	0.984	2.152	0.32	0.739	2.706	0.901	26.98	24.84	3093	1881	0.624	2.072	-1.483	0.911	2.716	0.702	41.8
550S200-68	0.0713	33	0.729	2.48	3.341	1.215	2.141	0.389	0.731	3.341	1.215	27.03	27.03	4347	2057	1.235	2.531	-1.465	0.902	2.695	0.705	48.5
550S200-68	0.0713	50	0.729	2.48	3.341	1.215	2.141	0.389	0.731	3.341	1.17	38.83	35.92	5350	2532	1.235	2.531	-1.465	0.902	2.695	0.705	39.6
550S200-97	0.1017	33	1.016	3.46	4.563	1.659	2.119	0.515	0.712	4.563	1.659	38.58	38.58	6282	1997	3.504	3.384	-1.428	0.882	2.652	0.710	47.4
550S200-97	0.1017	50	1.016	3.46	4.563	1.659	2.119	0.515	0.712	4.563	1.659	57.25	57.25	9518	3026	3.504	3.384	-1.428	0.882	2.652	0.710	38.6
550S250-43	0.0451	33	0.515	1.75	2.524	0.918	2.215	0.445	0.93	2.524	0.817	16.15	14.74	1550	1199	0.349	2.837	-1.933	1.163	3.083	0.607	62.6
550S250-54	0.0566	33	0.641	2.18	3.126	1.137	2.208	0.547	0.923	3.126	1.033	20.40	19.87	2739	1666	0.685	3.486	-1.919	1.155	3.067	0.609	62.6
550S250-54	0.0566	50	0.641	2.18	3.126	1.137	2.208	0.547	0.923	3.084	0.95	28.44	26.11	3093	1881	0.685	3.486	-1.919	1.155	3.067	0.609	50.7
550S250-68	0.0713	33	0.800	2.72	3.866	1.406	2.198	0.669	0.914	3.866	1.345	29.28	28.52	4347	2057	1.356	4.274	-1.900	1.146	3.046	0.611	59.5
550S250-68	0.0713	50	0.800	2.72	3.866	1.406	2.198	0.669	0.914	3.864	1.233	36.91	35.43	5350	2532	1.356	4.274	-1.900	1.146	3.046	0.611	50.6
550S250-97	0.1017	33	1.118	3.80	5.304	1.929	2.178	0.897	0.895	5.304	1.925	43.47	43.57	6282	1997	3.855	5.761	-1.862	1.126	3.002	0.615	58.4
550S250-97	0.1017	50	1.118	3.80	5.304	1.929	2.178	0.897	0.895	5.304	1.837	61.77	60.32	9518	3026	3.855	5.761	-1.862	1.126	3.002	0.615	47.6
600S137-33	0.0346	33	0.318	1.08	1.582	0.527	2.229	0.069	0.464	1.548	0.455	8.98	8.19	638	638	0.127	0.500	-0.807	0.519	2.416	0.889	33.5
600S137-43	0.0451	33	0.413	1.41	2.042	0.681	2.223	0.087	0.459	2.041	0.645	12.74	11.82	1416	1240	0.280	0.633	-0.796	0.513	2.406	0.890	33.3
600S137-54	0.0566	33	0.514	1.75	2.518	0.839	2.213	0.105	0.452	2.518	0.832	16.44	15.95	2739	1890	0.549	0.769	-0.784	0.506	2.391	0.893	33.0
600S137-54	0.0566	50	0.514	1.75	2.518	0.839	2.213	0.105	0.452	2.518	0.777	23.26	21.24	2823	1947	0.549	0.769	-0.784	0.506	2.391	0.893	26.8
600S137-68	0.0713	33	0.640	2.18	3.094	1.031	2.200	0.125	0.443	3.094	1.031	24.05 ²	24.05	4347	2339	1.084	0.930	-0.768	0.497	2.371	0.895	30.1
600S137-68	0.0713	50	0.640	2.18	3.094	1.031	2.200	0.125	0.443	3.094	1.030	30.84	28.89	5350	2879	1.084	0.930	-0.768	0.497	2.371	0.895	26.5
600S137-97	0.1017	33	0.889	3.03	4.188	1.396	2.170	0.159	0.422	4.188	1.396	34.48 ²	34.49	6911	2512	3.066	1.216	-0.734	0.480	2.330	0.901	28.8
60																						

Structural (S) Section Properties



Section	Design Thickness (in)	Fy (ksi)	Gross Properties							Effective Properties						Torsional Properties						Lu (in)
			Area (in ²)	Weight (lb/ft)	I _x (in ⁴)	S _x (in ³)	R _x (in)	I _y (in ⁴)	R _y (in)	I _{xe} (in ⁴)	S _{xe} (in ³)	Mal (in-k)	Mad (in-k)	Vag (lb)	Vanet (lb)	J _x 1000 (in ⁴)	C _w (in ⁶)	X _o (in)	m (in)	R _o (in)	β	
600S200-33	0.0346	33	0.379	1.29	2.075	0.692	2.340	0.209	0.743	2.058	0.621	12.28	10.77	638	638	0.151	1.593	-1.457	0.901	2.855	0.740	51.6
600S200-43	0.0451	33	0.492	1.67	2.683	0.894	2.335	0.268	0.739	2.683	0.873	17.24	15.39	1416	1240	0.334	2.033	-1.446	0.894	2.844	0.742	51.4
600S200-54	0.0566	33	0.613	2.09	3.319	1.106	2.327	0.328	0.732	3.319	1.106	24.07 ²	22.07	2739	1890	0.655	2.493	-1.432	0.887	2.829	0.744	48.9
600S200-54	0.0566	50	0.613	2.09	3.319	1.106	2.327	0.328	0.732	3.319	1.015	30.40	27.38	2823	1947	0.655	2.493	-1.432	0.887	2.829	0.744	41.6
600S200-68	0.0713	33	0.764	2.60	4.101	1.367	2.316	0.400	0.723	4.101	1.367	30.42 ²	29.97	4347	2339	1.295	3.047	-1.415	0.878	2.809	0.746	48.2
600S200-68	0.0713	50	0.764	2.60	4.101	1.367	2.316	0.400	0.723	4.101	1.317	43.71 ²	39.69	5350	2879	1.295	3.047	-1.415	0.878	2.809	0.746	39.3
600S200-97	0.1017	33	1.067	3.63	5.612	1.871	2.293	0.530	0.705	5.612	1.871	43.49 ²	43.49	6911	2512	3.679	4.080	-1.378	0.859	2.767	0.752	46.9
600S200-97	0.1017	50	1.067	3.63	5.612	1.871	2.293	0.530	0.705	5.612	1.871	64.53 ²	63.67	10472	3805	3.679	4.080	-1.378	0.859	2.767	0.752	38.3
600S200-118	0.1242	33	1.283	4.36	6.641	2.214	2.275	0.611	0.690	6.641	2.214	53.05 ²	53.05	8267	2391	6.595	4.753	-1.351	0.845	2.735	0.756	46.1
600S200-118	0.1242	50	1.283	4.36	6.641	2.214	2.275	0.611	0.690	6.641	2.214	78.44 ²	78.44	12526	3622	6.595	4.753	-1.351	0.845	2.735	0.756	37.6
600S250-43	0.0451	33	0.537	1.83	3.082	1.027	2.396	0.458	0.923	3.082	0.918	18.14	16.21	1416	1240	0.364	3.411	-1.874	1.136	3.179	0.652	62.4
600S250-54	0.0566	33	0.670	2.28	3.819	1.273	2.388	0.562	0.917	3.819	1.159	22.90	21.90	2739	1890	0.715	4.194	-1.860	1.129	3.163	0.654	62.3
600S250-54	0.0566	50	0.670	2.28	3.819	1.273	2.388	0.562	0.917	3.766	1.069	32.00	28.71	2823	1947	0.715	4.194	-1.860	1.129	3.163	0.654	50.5
600S250-68	0.0713	33	0.836	2.84	4.727	1.576	2.378	0.688	0.908	4.727	1.508	32.82 ²	31.50	4347	2339	1.416	5.145	-1.842	1.119	3.142	0.656	59.2
600S250-68	0.0713	50	0.836	2.84	4.727	1.576	2.378	0.688	0.908	4.723	1.386	41.49	39.07	5350	2879	1.416	5.145	-1.842	1.119	3.142	0.656	50.4
600S250-97	0.1017	33	1.169	3.98	6.496	2.165	2.357	0.923	0.889	6.496	2.165	48.81 ²	48.91	6911	2512	4.030	6.947	-1.803	1.100	3.098	0.661	58.0
600S250-97	0.1017	50	1.169	3.98	6.496	2.165	2.357	0.923	0.889	6.496	2.063	69.38 ²	66.81	10472	3805	4.030	6.947	-1.803	1.100	3.098	0.661	47.3
600S250-118	0.1242	33	1.407	4.79	7.713	2.571	2.342	1.075	0.874	7.713	2.571	59.58 ²	59.59	8267	2391	7.234	8.142	-1.775	1.085	3.066	0.665	57.3
600S250-118	0.1242	50	1.407	4.79	7.713	2.571	2.342	1.075	0.874	7.713	2.498	85.92 ²	86.83	12526	3622	7.234	8.142	-1.775	1.085	3.066	0.665	46.6
600S300-54	0.0566	33	0.726	2.47	4.319	1.440	2.439	0.875	1.098	4.269	1.211	23.93	22.80	2739	1890	0.775	6.452	-2.299	1.372	3.527	0.575	72.8
600S300-54	0.0566	50	0.726	2.47	4.319	1.440	2.439	0.875	1.098	4.014	1.106	33.13	29.62	2823	1947	0.775	6.452	-2.299	1.372	3.527	0.575	59.1
600S300-68	0.0713	33	0.907	3.09	5.354	1.785	2.430	1.075	1.089	5.344	1.581	31.23	30.88	4347	2339	1.537	7.937	-2.280	1.363	3.505	0.577	72.8
600S300-68	0.0713	50	0.907	3.09	5.354	1.785	2.430	1.075	1.089	5.221	1.446	43.30	40.53	5350	2879	1.537	7.937	-2.280	1.363	3.505	0.577	59.0
600S300-97	0.1017	33	1.271	4.32	7.381	2.460	2.410	1.454	1.070	7.381	2.352	52.07 ²	52.40	6911	2512	4.381	10.776	-2.241	1.343	3.461	0.581	68.8
600S300-97	0.1017	50	1.271	4.32	7.381	2.460	2.410	1.454	1.070	7.280	2.247	67.28	64.67	10472	3805	4.381	10.776	-2.241	1.343	3.461	0.581	58.8
600S300-118	0.1242	33	1.531	5.21	8.785	2.928	2.395	1.704	1.055	8.785	2.840	64.29 ²	66.28	8267	2391	7.872	12.683	-2.212	1.328	3.427	0.583	68.1
600S300-118	0.1242	50	1.531	5.21	8.785	2.928	2.395	1.704	1.055	8.713	2.797	94.24 ²	90.37	12526	3622	7.872	12.683	-2.212	1.328	3.427	0.583	55.3
600S350-54	0.0566	33	0.825	2.81	5.022	1.674	2.467	1.491	1.344	4.911	1.452	28.70	27.98	2739	1890	0.881	12.942	-3.037	1.787	4.137	0.461	91.8
600S350-54	0.0566	50	0.825	2.81	5.022	1.674	2.467	1.491	1.344	4.721	1.335	39.97	36.56	2823	1947	0.881	12.942	-3.037	1.787	4.137	0.461	74.4
600S350-68	0.0713	33	1.032	3.51	6.237	2.079	2.459	1.841	1.336	6.237	1.949	38.50	37.63	4347	2339	1.748	15.968	-3.018	1.777	4.115	0.462	91.8
600S350-68	0.0713	50	1.032	3.51	6.237	2.079	2.459	1.841	1.336	6.166	1.771	53.01	49.69	5350	2879	1.748	15.968	-3.018	1.777	4.115	0.462	74.4
600S350-97	0.1017	33	1.449	4.93	8.631	2.877	2.441	2.518	1.318	8.631	2.822	61.55 ²	62.49	6911	2512	4.994	21.811	-2.979	1.757	4.071	0.464	87.5
600S350-97	0.1017	50	1.449	4.93	8.631	2.877	2.441	2.518	1.318	8.631	2.593	77.64	78.36	10472	3805	4.994	21.811	-2.979	1.757	4.071	0.464	74.4
600S350-118	0.1242	33	1.748	5.95	10.304	3.435	2.428	2.978	1.305	10.304	3.435	76.39 ²	76.40	8267	2391	8.990	25.791	-2.951	1.742	4.038	0.466	86.9
600S350-118	0.1242	50	1.748	5.95	10.304	3.435	2.428	2.978	1.305	10.304	3.268	108.43 ²	107.66	12526	3622	8.990	25.791	-2.951	1.742	4.038	0.466	70.6
800S137-33 ¹	0.0346	33	0.388	1.32	3.198	0.799	2.873	0.073	0.435	2.998	0.622	12.30	10.71	474	474	0.155	0.957	-0.696	0.460	2.987	0.946	32.5
800S137-43	0.0451	33	0.503	1.71	4.134	1.033	2.866	0.093	0.430	4.001	0.896	17.70	15.78	1051	1051	0.341	1.214	-0.687	0.454	2.978	0.947	32.2
800S137-54	0.0566	33	0.627	2.13	5.110	1.277	2.855	0.112	0.423	5.077	1.179	23.29	21.74	2091	2091	0.670	1.478	-0.676	0.448	2.964	0.948	32.0
800S137-54	0.0566	50	0.627	2.13	5.110	1.277	2.855	0.112	0.423	4.974	1.083	32.42	28.47	2091	2091	0.670	1.478	-0.676	0.448	2.964	0.948	25.9
800S137-68	0.0713	33	0.782	2.66	6.303	1.576	2.839	0.134	0.414	6.303	1.541	30.45	29.75	4221	3367	1.325	1.789	-0.661	0.440	2.944	0.950	31.6
800S137-68	0.0713	50	0.782	2.66	6.303	1.576	2.839	0.134	0.414	6.285	1.468	43.96	39.57	4221	3367	1.325	1.789	-0.661	0.440	2.944	0.950	25.6
800S137-97	0.1017	33	1.093	3.72	8.597	2.149	2.805	0.169	0.394	8.597	2.149	53.09 ²	53.09	8843	4824	3.767	2.349	-0.630	0.423	2.902	0.953	27.6
800S137-97	0.1017	50	1.093	3.72	8.597	2.149	2.805	0.169	0.394	8.597	2.149	64.35	63.91	10885	5938	3.767	2.349	-0.630	0.423	2.902	0.953	25.0
800S137-118	0.1242	33	1.314	4.47	10.147	2.537	2.779	0.188	0.378	10.147	2.537	65.14	65.14	11341	4971	6.755	2.694	-0.608	0.411	2.870	0.955	26.6
800S137-118	0.1242	50	1.314	4.47	10.147	2.537	2.779	0.188	0.378	10.147	2.537	95.56	95.56	16235	7115	6.755	2.694	-0.608	0.411	2.870	0.955	21.9
800S162-33 ¹	0.0346	33	0.413	1.41	3.582	0.896	2.943	0.125	0.550	3.384	0.710	14.03	12.61	474	474	0.165	1.630	-0.936	0.607	3.137	0.911	40.1
800S162-43	0.0451	33	0.537	1.83	4.633	1.158	2.937	0.160	0.546	4.500	1.019	20.14	18.33	1051	1051	0.364	2.076	-0.926	0.601	3.128	0.912	39.8
800S162-54	0.0566	33	0.670	2.28	5.736	1.434	2.927	0.194	0.539	5.702	1.334	26.36	24.98	2091	2091	0.715	2.539	-0.914	0.594	3.113	0.914	39.6
800S162-54	0.0566	50	0.670	2.28	5.736	1.434	2.927	0.194	0.539	5.600	1.229	36.79	32.81	2091	2091	0.715	2.539	-0.914	0.594	3.113	0.914	32.1
800S162-68	0.0713	33	0.836	2.84	7.089	1.772	2.913	0.235	0.530	7.089	1.737	34.32	33.84	4221	3367	1.416	3.093	-0.899	0.586	3.094	0.916	39.3

Structural (S) Section Properties

Section	Design Thickness (in)	F _y (ksi)	Gross Properties							Effective Properties						Torsional Properties						
			Area (in ²)	Weight (lb/ft)	I _x (in ⁴)	S _x (in ³)	R _x (in)	I _y (in ⁴)	R _y (in)	I _{xe} (in ⁴)	S _{xe} (in ³)	Mal (in-k)	Mad (in-k)	Vag (lb)	Vanet (lb)	Jx1000 (in ⁴)	Cw (in ⁶)	Xo (in)	m (in)	Ro (in)	β	Lu (in)
800S250-43	0.0451	33	0.627	2.13	6.015	1.504	3.097	0.500	0.893	6.015	1.313	25.95	22.06	1051	1051	0.425	6.374	-1.675	1.043	3.632	0.787	61.5
800S250-54	0.0566	33	0.783	2.66	7.465	1.866	3.088	0.614	0.886	7.465	1.712	33.82	30.07	2091	2091	0.836	7.850	-1.661	1.036	3.617	0.789	61.4
800S250-54	0.0566	50	0.783	2.66	7.465	1.866	3.088	0.614	0.886	7.378	1.525	45.66	39.13	2091	2091	0.836	7.850	-1.661	1.036	3.617	0.789	49.8
800S250-68	0.0713	33	0.978	3.33	9.261	2.315	3.077	0.752	0.877	9.261	2.220	48.33 ²	43.63	4221	3367	1.658	9.652	-1.644	1.027	3.597	0.791	58.2
800S250-68	0.0713	50	0.978	3.33	9.261	2.315	3.077	0.752	0.877	9.240	2.059	61.65	53.75	4221	3367	1.658	9.652	-1.644	1.027	3.597	0.791	49.6
800S250-97	0.1017	33	1.372	4.67	12.789	3.197	3.053	1.009	0.857	12.789	3.191	72.07 ²	70.72	8843	4824	4.731	13.091	-1.607	1.008	3.555	0.796	56.8
800S250-97	0.1017	50	1.372	4.67	12.789	3.197	3.053	1.009	0.857	12.789	3.054	102.70 ²	93.42	10885	5938	4.731	13.091	-1.607	1.008	3.555	0.796	46.4
800S250-118	0.1242	33	1.655	5.63	15.242	3.810	3.035	1.175	0.843	15.242	3.810	88.31 ²	88.31	11341	4971	8.511	15.395	-1.580	0.994	3.524	0.799	55.9
800S250-118	0.1242	50	1.655	5.63	15.242	3.810	3.035	1.175	0.843	15.242	3.707	127.51 ²	122.92	16235	7115	8.511	15.395	-1.580	0.994	3.524	0.799	45.6
800S300-54	0.0566	33	0.839	2.86	8.358	2.090	3.156	0.960	1.069	8.249	1.785	35.28	31.13	2091	2091	0.896	12.076	-2.073	1.271	3.924	0.721	72.2
800S300-54	0.0566	50	0.839	2.86	8.358	2.090	3.156	0.960	1.069	7.862	1.535	45.96	40.22	2091	2091	0.896	12.076	-2.073	1.271	3.924	0.721	58.6
800S300-68	0.0713	33	1.050	3.57	10.382	2.595	3.145	1.179	1.060	10.351	2.321	45.86	42.54	4221	3367	1.779	14.888	-2.055	1.262	3.903	0.723	72.0
800S300-68	0.0713	50	1.050	3.57	10.382	2.595	3.145	1.179	1.060	10.082	2.145	64.21	55.47	4221	3367	1.779	14.888	-2.055	1.262	3.903	0.723	58.4
800S300-97	0.1017	33	1.474	5.02	14.375	3.594	3.123	1.595	1.040	14.375	3.443	76.21 ²	73.25	8843	4824	5.082	20.304	-2.017	1.243	3.860	0.727	67.7
800S300-97	0.1017	50	1.474	5.02	14.375	3.594	3.123	1.595	1.040	14.170	3.304	98.92	89.89	10885	5938	5.082	20.304	-2.017	1.243	3.860	0.727	58.1
800S300-118	0.1242	33	1.779	6.05	17.167	4.292	3.106	1.871	1.025	17.167	4.168	94.33 ²	95.78	11341	4971	9.149	23.979	-1.989	1.229	3.828	0.730	66.8
800S300-118	0.1242	50	1.779	6.05	17.167	4.292	3.106	1.871	1.025	17.022	4.108	138.41 ²	126.69	16235	7115	9.149	23.979	-1.989	1.229	3.828	0.730	54.5
800S350-54	0.0566	33	0.938	3.19	9.683	2.421	3.212	1.646	1.325	9.477	2.125	41.98	38.29	2091	2091	1.002	22.897	-2.766	1.668	4.441	0.612	90.0
800S350-54	0.0566	50	0.938	3.19	9.683	2.421	3.212	1.646	1.325	9.191	1.869	55.96	49.74	2091	2091	1.002	22.897	-2.766	1.668	4.441	0.612	73.1
800S350-68	0.0713	33	1.174	4.00	12.046	3.012	3.203	2.034	1.316	12.046	2.837	56.07	51.89	4221	3367	1.990	28.308	-2.748	1.658	4.421	0.614	89.9
800S350-68	0.0713	50	1.174	4.00	12.046	3.012	3.203	2.034	1.316	11.909	2.596	77.73	68.05	4221	3367	1.990	28.308	-2.748	1.658	4.421	0.614	72.9
800S350-97	0.1017	33	1.652	5.62	16.737	4.184	3.183	2.784	1.298	16.737	4.101	89.43 ²	87.25	8843	4824	5.696	38.834	-2.710	1.639	4.377	0.617	85.4
800S350-97	0.1017	50	1.652	5.62	16.737	4.184	3.183	2.784	1.298	16.737	3.785	113.34	108.67	10885	5938	5.696	38.834	-2.710	1.639	4.377	0.617	72.7
800S350-118	0.1242	33	1.997	6.79	20.041	5.010	3.168	3.295	1.285	20.041	5.010	111.44 ²	111.44	11341	4971	10.267	46.068	-2.682	1.624	4.345	0.619	84.6
800S350-118	0.1242	50	1.997	6.79	20.041	5.010	3.168	3.295	1.285	20.041	4.762	158.02 ²	150.37	16235	7115	10.267	46.068	-2.682	1.624	4.345	0.619	68.9
1000S162-43 ¹	0.0451	33	0.627	2.13	8.025	1.605	3.577	0.168	0.518	7.523	1.302	25.74	22.49	836	836	0.425	3.430	-0.823	0.545	3.707	0.951	38.8
1000S162-54	0.0566	33	0.783	2.66	9.950	1.990	3.565	0.204	0.511	9.627	1.722	34.02	31.11	1661	1661	0.836	4.198	-0.812	0.538	3.692	0.952	38.6
1000S162-54	0.0566	50	0.783	2.66	9.950	1.990	3.565	0.204	0.511	9.391	1.572	47.07	40.37	1661	1661	0.836	4.198	-0.812	0.538	3.692	0.952	31.3
1000S162-68	0.0713	33	0.978	3.33	12.325	2.465	3.550	0.246	0.502	12.256	2.276	44.98	42.91	3345	3345	1.658	5.121	-0.798	0.531	3.673	0.953	38.2
1000S162-68	0.0713	50	0.978	3.33	12.325	2.465	3.550	0.246	0.502	11.978	2.154	64.51	56.35	3345	3345	1.658	5.121	-0.798	0.531	3.673	0.953	31.0
1000S162-97	0.1017	33	1.372	4.67	16.967	3.393	3.516	0.320	0.483	16.967	3.393	67.06	67.05	8843	6434	4.731	6.827	-0.768	0.514	3.631	0.955	37.5
1000S162-97	0.1017	50	1.372	4.67	16.967	3.393	3.516	0.320	0.483	16.967	3.269	97.89	92.56	9864	7177	4.731	6.827	-0.768	0.514	3.631	0.955	30.4
1000S162-118	0.1242	33	1.655	5.63	20.169	4.034	3.491	0.363	0.468	20.169	4.034	100.24 ²	100.25	13189	7747	8.511	7.924	-0.746	0.502	3.600	0.957	32.9
1000S162-118	0.1242	50	1.655	5.63	20.169	4.034	3.491	0.363	0.468	20.169	4.034	120.77	120.34	16235	9536	8.511	7.924	-0.746	0.502	3.600	0.957	30.0
1000S200-43 ¹	0.0451	33	0.672	2.29	9.085	1.817	3.676	0.309	0.677	8.602	1.470	29.05	26.14	836	836	0.456	6.236	-1.147	0.743	3.910	0.914	49.3
1000S200-54	0.0566	33	0.839	2.86	11.278	2.256	3.666	0.378	0.671	10.953	1.984	39.20	35.86	1661	1661	0.896	7.665	-1.135	0.737	3.896	0.915	49.1
1000S200-54	0.0566	50	0.839	2.86	11.278	2.256	3.666	0.378	0.671	10.769	1.705	51.05	46.62	1661	1661	0.896	7.665	-1.135	0.737	3.896	0.915	39.8
1000S200-68	0.0713	33	1.050	3.57	13.994	2.799	3.652	0.460	0.662	13.920	2.607	51.51	49.07	3345	3345	1.779	9.401	-1.120	0.729	3.876	0.917	48.8
1000S200-68	0.0713	50	1.050	3.57	13.994	2.799	3.652	0.460	0.662	13.665	2.420	72.46	64.50	3345	3345	1.779	9.401	-1.120	0.729	3.876	0.917	39.6
1000S200-97	0.1017	33	1.474	5.02	19.336	3.867	3.622	0.609	0.643	19.336	3.867	76.42	76.42	8843	6434	5.082	12.679	-1.088	0.711	3.836	0.920	48.2
1000S200-97	0.1017	50	1.474	5.02	19.336	3.867	3.622	0.609	0.643	19.336	3.741	112.00	104.73	9864	7177	5.082	12.679	-1.088	0.711	3.836	0.920	39.0
1000S200-118	0.1242	33	1.779	6.05	23.052	4.610	3.599	0.703	0.629	23.052	4.610	110.50 ²	110.50	13189	7747	9.149	14.848	-1.064	0.699	3.805	0.922	43.3
1000S200-118	0.1242	50	1.779	6.05	23.052	4.610	3.599	0.703	0.629	23.052	4.610	138.04	135.74	16235	9536	9.149	14.848	-1.064	0.699	3.805	0.922	38.7
1000S250-43 ¹	0.0451	33	0.717	2.44	10.203	2.041	3.771	0.531	0.860	10.203	1.617	31.95	27.67	836	836	0.486	10.481	-1.518	0.965	4.155	0.867	60.7
1000S250-54	0.0566	33	0.896	3.05	12.677	2.535	3.762	0.653	0.854	12.677	2.277	44.99	38.02	1661	1661	0.957	12.922	-1.505	0.958	4.140	0.868	60.5
1000S250-54	0.0566	50	0.896	3.05	12.677	2.535	3.762	0.653	0.854	12.660	1.879	56.26	49.16	1661	1661	0.957	12.922	-1.505	0.958	4.140	0.868	49.1
1000S250-68	0.0713	33	1.121	3.81	15.751	3.150	3.749	0.799	0.844	15.751	3.028	65.93 ²	55.62	3345	3345	1.899	15.909	-1.488	0.950	4.121	0.870	57.3
1000S250-68	0.0713	50	1.121	3.81	15.751	3.150	3.749	0.799	0.844	15.741	2.768	82.89	68.13	3345	3345	1.899	15.909	-1.488	0.950	4.121	0.870	48.8
1000S250-97	0.1017	33	1.576	5.36	21.827	4.365	3.722	1.072	0.825	21.827	4.357	98.41 ²	91.77	8843	6434	5.433	21.632	-1.454	0.932	4.080	0.873	55.8
1000S250-97	0.1017	50	1.576	5.36	21.827	4.365	3.722	1.072	0.825	21.827	4.181											

Structural (S) Section Properties



Section	Design Thickness (in)	Fy (ksi)	Gross Properties						Effective Properties					Torsional Properties					Lu (in)			
			Area (in ²)	Weight (lb/ft)	Ix (in ⁴)	Sx (in ³)	Rx (in)	Iy (in ⁴)	Ry (in)	Ixe (in ⁴)	Sxe (in ³)	Mal (in-k)	Mad (in-k)	Vag (lb)	Vanet (lb)	Jx1000 (in ⁴)	Cw (in ⁶)	Xo (in)		m (in)	Ro (in)	β
1200S162-54 ¹	0.0566	33	0.896	3.05	15.730	2.622	4.190	0.212	0.486	14.743	2.109	41.68	36.38	1377	1377	0.957	6.340	-0.732	0.493	4.281	0.971	37.5
1200S162-54 ¹	0.0566	50	0.896	3.05	15.730	2.622	4.190	0.212	0.486	14.298	1.914	57.31	46.75	1377	1377	0.957	6.340	-0.732	0.493	4.281	0.971	30.5
1200S162-68	0.0713	33	1.121	3.81	19.518	3.253	4.173	0.255	0.477	18.955	2.817	55.66	50.95	2771	2771	1.899	7.739	-0.719	0.485	4.261	0.972	37.2
1200S162-68	0.0713	50	1.121	3.81	19.518	3.253	4.173	0.255	0.477	18.390	2.645	79.19	66.14	2771	2771	1.899	7.739	-0.719	0.485	4.261	0.972	30.2
1200S162-97	0.1017	33	1.576	5.36	26.966	4.494	4.137	0.331	0.459	26.966	4.327	85.51	83.86	8147	7411	5.433	10.331	-0.691	0.470	4.219	0.973	36.4
1200S162-97	0.1017	50	1.576	5.36	26.966	4.494	4.137	0.331	0.459	26.735	4.091	122.49	111.30	8147	7411	5.433	10.331	-0.691	0.470	4.219	0.973	29.5
1200S162-118	0.1242	33	1.904	6.48	32.145	5.357	4.109	0.376	0.444	32.145	5.357	105.87	105.87	13189	9714	9.788	12.002	-0.670	0.459	4.187	0.974	35.8
1200S162-118	0.1242	50	1.904	6.48	32.145	5.357	4.109	0.376	0.444	32.145	5.168	154.74	147.23	14986	11037	9.788	12.002	-0.670	0.459	4.187	0.974	29.0
1200S200-54 ¹	0.0566	33	0.953	3.24	17.662	2.944	4.306	0.393	0.643	16.678	2.425	47.93	42.47	1377	1377	1.017	11.550	-1.032	0.681	4.474	0.947	48.0
1200S200-54 ¹	0.0566	50	0.953	3.24	17.662	2.944	4.306	0.393	0.643	16.334	2.073	62.07	54.74	1377	1377	1.017	11.550	-1.032	0.681	4.474	0.947	39.0
1200S200-68	0.0713	33	1.192	4.06	21.947	3.658	4.291	0.479	0.634	21.376	3.215	63.54	58.83	2771	2771	2.020	14.176	-1.017	0.673	4.455	0.948	47.7
1200S200-68	0.0713	50	1.192	4.06	21.947	3.658	4.291	0.479	0.634	20.864	2.963	88.71	76.55	2771	2771	2.020	14.176	-1.017	0.673	4.455	0.948	38.7
1200S200-97	0.1017	33	1.677	5.71	30.417	5.069	4.258	0.635	0.615	30.417	4.899	96.81	95.43	8147	7411	5.783	19.150	-0.987	0.656	4.414	0.950	47.0
1200S200-97	0.1017	50	1.677	5.71	30.417	5.069	4.258	0.635	0.615	30.175	4.660	139.51	126.86	8147	7411	5.783	19.150	-0.987	0.656	4.414	0.950	38.1
1200S200-118	0.1242	33	2.028	6.90	36.347	6.058	4.234	0.732	0.601	36.347	6.058	119.71	119.71	13189	9714	10.427	22.451	-0.964	0.644	4.384	0.952	46.5
1200S200-118	0.1242	50	2.028	6.90	36.347	6.058	4.234	0.732	0.601	36.347	5.865	175.59	166.80	14986	11037	10.427	22.451	-0.964	0.644	4.384	0.952	37.7
1200S250-54 ¹	0.0566	33	1.009	3.43	19.681	3.280	4.416	0.683	0.823	18.832	2.482	49.05	45.43	1377	1377	1.078	19.505	-1.378	0.892	4.699	0.914	59.6
1200S250-54 ¹	0.0566	50	1.009	3.43	19.681	3.280	4.416	0.683	0.823	18.433	2.149	64.34	58.39	1377	1377	1.078	19.505	-1.378	0.892	4.699	0.914	48.3
1200S250-68	0.0713	33	1.263	4.30	24.484	4.081	4.402	0.836	0.813	23.963	3.496	69.08	62.95	2771	2771	2.141	24.034	-1.362	0.884	4.679	0.915	59.2
1200S250-68	0.0713	50	1.263	4.30	24.484	4.081	4.402	0.836	0.813	23.575	3.007	90.04	81.59	2771	2771	2.141	24.034	-1.362	0.884	4.679	0.915	48.1
1200S250-97	0.1017	33	1.779	6.05	34.016	5.669	4.373	1.121	0.794	34.016	5.496	108.60	102.52	8147	7411	6.134	32.734	-1.329	0.867	4.639	0.918	58.6
1200S250-97	0.1017	50	1.779	6.05	34.016	5.669	4.373	1.121	0.794	33.835	5.037	150.82	135.37	8147	7411	6.134	32.734	-1.329	0.867	4.639	0.918	47.5
1200S250-118	0.1242	33	2.152	7.32	40.726	6.788	4.350	1.307	0.779	40.726	6.788	134.13	133.19	13189	9714	11.065	38.619	-1.305	0.854	4.608	0.920	58.2
1200S250-118	0.1242	50	2.152	7.32	40.726	6.788	4.350	1.307	0.779	40.726	6.541	195.84	178.57	14986	11037	11.065	38.619	-1.305	0.854	4.608	0.920	47.1
1200S300-54 ¹	0.0566	33	1.066	3.63	21.699	3.617	4.512	1.074	1.004	21.648	2.736	54.06	47.36	1377	1377	1.138	30.051	-1.743	1.111	4.940	0.876	70.8
1200S300-54 ¹	0.0566	50	1.066	3.63	21.699	3.617	4.512	1.074	1.004	21.043	2.272	68.04	60.65	1377	1377	1.138	30.051	-1.743	1.111	4.940	0.876	57.4
1200S300-68	0.0713	33	1.335	4.54	27.020	4.503	4.499	1.320	0.994	26.918	4.064	80.30	65.72	2771	2771	2.262	37.126	-1.726	1.103	4.921	0.877	70.5
1200S300-68	0.0713	50	1.335	4.54	27.020	4.503	4.499	1.320	0.994	26.510	3.317	99.32	84.79	2771	2771	2.262	37.126	-1.726	1.103	4.921	0.877	57.2
1200S300-97	0.1017	33	1.881	6.40	37.616	6.269	4.472	1.786	0.974	37.616	6.035	133.59 ²	116.06	8147	7411	6.484	50.853	-1.691	1.085	4.880	0.880	66.0
1200S300-97	0.1017	50	1.881	6.40	37.616	6.269	4.472	1.786	0.974	37.085	5.831	174.57	141.05	8147	7411	6.484	50.853	-1.691	1.085	4.880	0.880	56.7
1200S300-118	0.1242	33	2.276	7.75	45.106	7.518	4.452	2.095	0.959	45.106	7.323	165.76 ²	154.65	13189	9714	11.704	60.251	-1.666	1.071	4.849	0.882	64.9
1200S300-118	0.1242	50	2.276	7.75	45.106	7.518	4.452	2.095	0.959	44.727	7.232	243.67 ²	201.68	14986	11037	11.704	60.251	-1.666	1.071	4.849	0.882	53.0
1200S350-54 ¹	0.0566	33	1.165	3.96	24.860	4.143	4.620	1.866	1.266	24.610	3.295	65.12	58.95	1377	1377	1.244	54.279	-2.363	1.478	5.341	0.804	88.0
1200S350-54 ¹	0.0566	50	1.165	3.96	24.860	4.143	4.620	1.866	1.266	24.087	2.787	83.46	75.92	1377	1377	1.244	54.279	-2.363	1.478	5.341	0.804	71.4
1200S350-68	0.0713	33	1.460	4.97	30.996	5.166	4.608	2.306	1.257	30.996	4.908	96.98	80.83	2771	2771	2.473	67.251	-2.346	1.469	5.322	0.806	87.7
1200S350-68	0.0713	50	1.460	4.97	30.996	5.166	4.608	2.306	1.257	30.916	4.061	121.59	104.89	2771	2771	2.473	67.251	-2.346	1.469	5.322	0.806	71.2
1200S350-97	0.1017	33	2.059	7.01	43.269	7.211	4.584	3.159	1.239	43.269	7.071	154.22 ²	138.56	8147	7411	7.098	92.672	-2.310	1.450	5.281	0.809	83.0
1200S350-97	0.1017	50	2.059	7.01	43.269	7.211	4.584	3.159	1.239	43.269	6.590	197.31	170.84	8147	7411	7.098	92.672	-2.310	1.450	5.281	0.809	70.8
1200S350-118	0.1242	33	2.494	8.48	51.992	8.665	4.566	3.741	1.225	51.992	8.665	192.74 ²	181.90	13189	9714	12.821	110.302	-2.284	1.436	5.250	0.811	81.9
1200S350-118	0.1242	50	2.494	8.48	51.992	8.665	4.566	3.741	1.225	51.992	8.260	274.07 ²	238.96	14986	11037	12.821	110.302	-2.284	1.436	5.250	0.811	66.9
1400S162-54 ¹	0.0566	33	1.009	3.43	23.302	3.329	4.805	0.218	0.464	21.103	2.496	49.32	40.86	1177	1177	1.078	8.980	-0.667	0.454	4.873	0.981	36.6
1400S162-54 ¹	0.0566	50	1.009	3.43	23.302	3.329	4.805	0.218	0.464	20.365	2.256	67.54	52.13	1177	1177	1.078	8.980	-0.667	0.454	4.873	0.981	29.7
1400S162-68	0.0713	33	1.263	4.30	28.952	4.136	4.787	0.262	0.456	27.357	3.357	66.33	57.96	2365	2365	2.141	10.966	-0.654	0.447	4.853	0.982	36.2
1400S162-68	0.0713	50	1.263	4.30	28.952	4.136	4.787	0.262	0.456	26.375	3.135	93.85	74.56	2365	2365	2.141	10.966	-0.654	0.447	4.853	0.982	29.4
1400S162-97	0.1017	33	1.779	6.05	40.115	5.731	4.748	0.340	0.437	39.965	5.248	103.71	97.69	6939	6939	6.134	14.651	-0.628	0.433	4.810	0.983	35.3
1400S162-97	0.1017	50	1.779	6.05	40.115	5.731	4.748	0.340	0.437	38.897	4.915	147.14	127.96	6939	6939	6.134	14.651	-0.628	0.433	4.810	0.983	28.7
1400S162-118	0.1242	33	2.152	7.32	47.928	6.847	4.719	0.385	0.423	47.928	6.659	131.59	129.07	12745	11287	11.065	17.032	-0.609	0.422	4.777	0.984	34.7
1400S162-118	0.1242	50	2.152	7.32	47.928	6.847	4.719	0.385	0.423	47.772	6.282	188.07	171.63	12745	11287	11.065	17.032	-0.609	0.422	4.777	0.984	28.1
1400S200-54 ¹	0.0566	33	1.066	3.63	25.951	3.707	4.935	0.406	0.617	23.767	2.866	56.63	48.18	1177	1177	1.138	16.355	-0.946	0.633	5.062	0.965	47.0
1400S200-54 ¹	0.0566	50	1.066	3.63	25.951	3.707	4.935	0.406	0.617	23.199	2.440	73.05	61.67	1177								



Structural (S) Section Properties

Section	Design Thickness (in)	Fy (ksi)	Gross Properties							Effective Properties						Torsional Properties						
			Area (in ²)	Weight (lb/ft)	I _x (in ⁴)	S _x (in ³)	R _x (in)	I _y (in ⁴)	R _y (in)	I _{xe} (in ⁴)	S _{xe} (in ³)	Mal (in-k)	Mad (in-k)	Vag (lb)	Vanet (lb)	Jx1000 (in ⁴)	Cw (in ⁶)	Xo (in)	m (in)	Ro (in)	β	Lu (in)
1400S350-54 ¹	0.0566	33	1.278	4.35	35.830	5.119	5.295	1.947	1.234	35.659	3.823	75.54	68.80	1177	1177	1.365	76.252	-2.207	1.400	5.868	0.859	87.1
1400S350-54 ¹	0.0566	50	1.278	4.35	35.830	5.119	5.295	1.947	1.234	33.308	3.249	97.27	88.25	1177	1177	1.365	76.252	-2.207	1.400	5.868	0.859	70.7
1400S350-68	0.0713	33	1.602	5.45	44.707	6.387	5.283	2.406	1.226	44.707	5.700	112.64	94.81	2365	2365	2.715	94.534	-2.190	1.391	5.848	0.860	86.8
1400S350-68	0.0713	50	1.602	5.45	44.707	6.387	5.283	2.406	1.226	44.707	4.709	141.00	122.49	2365	2365	2.715	94.534	-2.190	1.391	5.848	0.860	70.4
1400S350-97	0.1017	33	2.262	7.70	62.507	8.930	5.257	3.296	1.207	62.507	8.762	191.08 ²	163.95	6939	6939	7.799	130.430	-2.156	1.373	5.808	0.862	82.0
1400S350-97	0.1017	50	2.262	7.70	62.507	8.930	5.257	3.296	1.207	62.507	8.189	245.18	201.25	6939	6939	7.799	130.430	-2.156	1.373	5.808	0.862	70.0
1400S350-118	0.1242	33	2.742	9.33	75.200	10.743	5.237	3.903	1.193	75.200	10.743	238.95 ²	216.66	12745	11287	14.099	155.387	-2.130	1.360	5.778	0.864	80.9
1400S350-118	0.1242	50	2.742	9.33	75.200	10.743	5.237	3.903	1.193	75.200	10.260	340.44 ²	282.84	12745	11287	14.099	155.387	-2.130	1.360	5.778	0.864	66.1
1600S162-68 ¹	0.0713	33	1.406	4.78	40.913	5.114	5.394	0.268	0.436	37.533	3.896	76.99	64.10	2062	2062	2.383	14.816	-0.601	0.415	5.445	0.988	35.2
1600S162-68 ¹	0.0713	50	1.406	4.78	40.913	5.114	5.394	0.268	0.436	35.986	3.624	108.49	81.87	2062	2062	2.383	14.816	-0.601	0.415	5.445	0.988	28.6
1600S162-97	0.1017	33	1.983	6.75	56.824	7.103	5.354	0.347	0.418	55.563	6.173	121.97	110.13	6043	6043	6.835	19.807	-0.577	0.401	5.401	0.989	34.4
1600S162-97	0.1017	50	1.983	6.75	56.824	7.103	5.354	0.347	0.418	53.725	5.738	171.79	142.80	6043	6043	6.835	19.807	-0.577	0.401	5.401	0.989	27.9
1600S162-118	0.1242	33	2.400	8.17	68.014	8.502	5.323	0.393	0.405	68.014	7.920	156.50	147.57	11088	11088	12.342	23.035	-0.559	0.391	5.368	0.989	33.7
1600S162-118	0.1242	50	2.400	8.17	68.014	8.502	5.323	0.393	0.405	66.535	7.399	221.51	193.72	11088	11088	12.342	23.035	-0.559	0.391	5.368	0.989	27.3
1600S200-68 ¹	0.0713	33	1.477	5.03	45.291	5.661	5.537	0.506	0.585	41.916	4.431	87.56	75.11	2062	2062	2.503	27.155	-0.862	0.584	5.634	0.977	45.7
1600S200-68 ¹	0.0713	50	1.477	5.03	45.291	5.661	5.537	0.506	0.585	40.523	4.045	121.11	96.27	2062	2062	2.503	27.155	-0.862	0.584	5.634	0.977	37.1
1600S200-97	0.1017	33	2.084	7.09	63.050	7.881	5.500	0.670	0.567	61.757	6.938	137.10	126.78	6043	6043	7.186	36.744	-0.835	0.569	5.592	0.978	44.9
1600S200-97	0.1017	50	2.084	7.09	63.050	7.881	5.500	0.670	0.567	59.933	6.500	194.61	164.99	6043	6043	7.186	36.744	-0.835	0.569	5.592	0.978	36.4
1600S200-118	0.1242	33	2.525	8.59	75.601	9.450	5.472	0.773	0.553	75.601	8.859	175.05	168.39	11088	11088	12.981	43.132	-0.815	0.558	5.560	0.979	44.3
1600S200-118	0.1242	50	2.525	8.59	75.601	9.450	5.472	0.773	0.553	74.084	8.331	249.44	221.86	11088	11088	12.981	43.132	-0.815	0.558	5.560	0.979	35.9
1600S250-68 ¹	0.0713	33	1.549	5.27	49.814	6.227	5.672	0.889	0.758	46.607	4.792	94.70	81.69	2062	2062	2.624	46.230	-1.167	0.778	5.840	0.960	57.3
1600S250-68 ¹	0.0713	50	1.549	5.27	49.814	6.227	5.672	0.889	0.758	45.550	4.092	122.51	104.63	2062	2062	2.624	46.230	-1.167	0.778	5.840	0.960	46.5
1600S250-97	0.1017	33	2.186	7.44	69.476	8.685	5.638	1.192	0.738	68.160	7.728	152.72	137.47	6043	6043	7.536	63.082	-1.138	0.762	5.799	0.962	56.5
1600S250-97	0.1017	50	2.186	7.44	69.476	8.685	5.638	1.192	0.738	66.577	6.983	209.06	178.60	6043	6043	7.536	63.082	-1.138	0.762	5.799	0.962	45.9
1600S250-118	0.1242	33	2.649	9.01	83.427	10.428	5.612	1.389	0.724	83.427	9.827	194.19	182.65	11088	11088	13.620	74.524	-1.116	0.750	5.768	0.963	56.0
1600S250-118	0.1242	50	2.649	9.01	83.427	10.428	5.612	1.389	0.724	81.923	9.222	276.12	240.07	11088	11088	13.620	74.524	-1.116	0.750	5.768	0.963	45.4
1600S300-68 ¹	0.0713	33	1.620	5.51	54.336	6.792	5.792	1.411	0.933	51.468	4.892	96.68	86.46	2062	2062	2.745	71.608	-1.494	0.981	6.054	0.939	68.7
1600S300-68 ¹	0.0713	50	1.620	5.51	54.336	6.792	5.792	1.411	0.933	49.107	4.210	126.04	110.54	2062	2062	2.745	71.608	-1.494	0.981	6.054	0.939	55.8
1600S300-97	0.1017	33	2.288	7.78	75.903	9.488	5.760	1.909	0.914	74.741	8.203	162.09	145.38	6043	6043	7.887	98.275	-1.463	0.964	6.013	0.941	68.0
1600S300-97	0.1017	50	2.288	7.78	75.903	9.488	5.760	1.909	0.914	72.666	7.391	221.28	188.32	6043	6043	7.887	98.275	-1.463	0.964	6.013	0.941	55.1
1600S300-118	0.1242	33	2.773	9.44	91.253	11.407	5.737	2.239	0.899	91.253	10.637	210.19	193.46	11088	11088	14.258	116.606	-1.439	0.951	5.982	0.942	67.4
1600S300-118	0.1242	50	2.773	9.44	91.253	11.407	5.737	2.239	0.899	89.913	9.835	294.48	253.24	11088	11088	14.258	116.606	-1.439	0.951	5.982	0.942	54.7
1600S350-68 ¹	0.0713	33	1.745	5.94	61.622	7.703	5.943	2.490	1.195	58.537	6.041	119.38	108.05	2062	2062	2.957	127.370	-2.055	1.322	6.401	0.897	85.8
1600S350-68 ¹	0.0713	50	1.745	5.94	61.622	7.703	5.943	2.490	1.195	57.437	5.180	155.08	138.99	2062	2062	2.957	127.370	-2.055	1.322	6.401	0.897	69.7
1600S350-97	0.1017	33	2.466	8.39	86.270	10.784	5.915	3.410	1.176	84.926	9.771	193.09	176.65	6043	6043	8.501	175.896	-2.022	1.304	6.361	0.899	85.2
1600S350-97	0.1017	50	2.466	8.39	86.270	10.784	5.915	3.410	1.176	83.691	8.382	250.96	230.33	6043	6043	8.501	175.896	-2.022	1.304	6.361	0.899	69.1
1600S350-118	0.1242	33	2.990	10.18	103.892	12.987	5.894	4.038	1.162	103.892	12.367	244.38	231.20	11088	11088	15.376	209.692	-1.998	1.291	6.331	0.900	84.8
1600S350-118	0.1242	50	2.990	10.18	103.892	12.987	5.894	4.038	1.162	102.530	11.305	338.47	304.57	11088	11088	15.376	209.692	-1.998	1.291	6.331	0.900	68.8

¹Web height-to-thickness ratio exceeds 200. Web stiffeners are required at all support points and concentrated loads.

²Allowable moment includes cold work of forming.

See Table Notes on page 7.

Table Notes

1. The centerline bend radius is based on inside corner radii shown in the steel thickness table on page 5.
2. Web depth for track sections is equal to the nominal height plus 2 times the design thickness plus the bend radius.
3. Hems on nonstructural track sections are ignored. Not all track members are hemmed.
4. Effective properties incorporate the strength increase from the cold work of forming as applicable per AISI S100 Section A7.2.
5. For deflection calculations, use the effective moment of inertia.
6. Based on ASTM C645, 18, 27, and 30 mil track material is considered nonstructural.
7. See page 5 for additional table notes.

Section	Design Thickness (in)	Gross Properties							Effective Prop. (33 ksi)				Effective Prop. (50 ksi)				Torsional Properties					
		Area (in ²)	Weight (lb/ft)	I _x (in ⁴)	S _x (in ³)	R _x (in)	I _y (in ⁴)	R _y (in)	I _{xe} (in ⁴)	S _{xe} (in ³)	Ma (in-k)	Vag (lb)	I _{xe} (in ⁴)	S _{xe} (in ³)	Ma (in-k)	Vag (lb)	Jx1000 (in ⁴)	Cw (in ⁶)	Xo (in)	m (in)	Ro (in)	β
162T125-18	0.0188	0.077	0.26	0.041	0.047	0.733	0.013	0.411	0.030	0.025	0.50	302	-	-	-	-	0.009	0.007	-0.878	0.503	1.215	0.478
162T125-27	0.0283	0.117	0.40	0.063	0.072	0.735	0.020	0.410	0.050	0.044	0.87	541	-	-	-	-	0.031	0.010	-0.872	0.501	1.211	0.482
162T125-30	0.0312	0.129	0.44	0.070	0.079	0.735	0.022	0.409	0.057	0.050	1.00	597	-	-	-	-	0.042	0.012	-0.870	0.500	1.210	0.483
162T125-33	0.0346	0.143	0.49	0.077	0.087	0.736	0.024	0.408	0.066	0.058	1.15	663	-	-	-	-	0.057	0.013	-0.868	0.499	1.209	0.484
250T125-18	0.0188	0.094	0.32	0.103	0.079	1.051	0.015	0.400	0.078	0.045	0.90	249	-	-	-	-	0.011	0.018	-0.769	0.460	1.362	0.681
250T125-27	0.0283	0.141	0.48	0.157	0.119	1.053	0.022	0.398	0.129	0.079	1.56	685	-	-	-	-	0.038	0.027	-0.763	0.457	1.360	0.685
250T125-30	0.0312	0.156	0.53	0.173	0.131	1.053	0.025	0.397	0.145	0.090	1.77	832	-	-	-	-	0.051	0.030	-0.762	0.456	1.359	0.686
250T125-33	0.0346	0.173	0.59	0.192	0.145	1.054	0.027	0.397	0.166	0.103	2.03	1024	-	-	-	-	0.069	0.033	-0.760	0.456	1.358	0.687
250T125-43	0.0451	0.225	0.77	0.250	0.188	1.055	0.035	0.395	0.231	0.147	2.91	1356	-	-	-	-	0.153	0.042	-0.755	0.453	1.356	0.690
250T125-54	0.0566	0.282	0.96	0.318	0.236	1.062	0.043	0.392	0.310	0.203	4.01	1692	0.297	0.188	5.64	2563	0.301	0.054	-0.749	0.449	1.357	0.696
250T125-68	0.0713	0.355	1.21	0.408	0.297	1.072	0.054	0.389	0.408	0.281	5.56	2111	0.402	0.262	7.85	3199	0.602	0.069	-0.740	0.444	1.360	0.704
250T125-97	0.1017	0.506	1.72	0.604	0.423	1.092	0.074	0.383	0.604	0.423	9.56	2954	0.604	0.423	12.67	4476	1.745	0.101	-0.724	0.434	1.365	0.719
250T150-27	0.0283	0.156	0.53	0.181	0.137	1.078	0.037	0.486	0.139	0.082	1.61	685	-	-	-	-	0.042	0.044	-0.976	0.575	1.534	0.595
250T150-30	0.0312	0.172	0.58	0.199	0.151	1.078	0.040	0.486	0.157	0.093	1.83	832	-	-	-	-	0.056	0.049	-0.975	0.574	1.533	0.595
250T150-33	0.0346	0.190	0.65	0.221	0.167	1.079	0.045	0.485	0.179	0.107	2.11	1024	-	-	-	-	0.076	0.054	-0.973	0.573	1.532	0.596
250T150-43	0.0451	0.248	0.84	0.289	0.217	1.080	0.058	0.483	0.252	0.154	3.03	1356	-	-	-	-	0.168	0.070	-0.968	0.570	1.529	0.599
250T150-54	0.0566	0.311	1.06	0.368	0.273	1.088	0.072	0.481	0.342	0.213	4.22	1692	0.325	0.197	5.89	2563	0.332	0.089	-0.961	0.566	1.529	0.605
250T150-68	0.0713	0.391	1.33	0.472	0.344	1.099	0.089	0.478	0.465	0.299	5.92	2111	0.445	0.276	8.27	3199	0.663	0.114	-0.953	0.561	1.531	0.613
250T150-97	0.1017	0.557	1.9	0.701	0.491	1.121	0.124	0.471	0.701	0.491	9.69	2954	0.701	0.463	13.86	4476	1.921	0.168	-0.935	0.55	1.534	0.629
250T200-33	0.0346	0.225	0.76	0.280	0.212	1.117	0.097	0.658	0.203	0.112	2.22	1024	-	-	-	-	0.090	0.118	-1.418	0.813	1.921	0.455
250T200-43	0.0451	0.293	1.00	0.366	0.275	1.118	0.126	0.657	0.288	0.163	3.21	1356	-	-	-	-	0.198	0.153	-1.413	0.810	1.918	0.457
250T200-54	0.0566	0.367	1.25	0.466	0.346	1.127	0.157	0.654	0.396	0.228	4.51	1692	0.371	0.209	6.25	2563	0.392	0.195	-1.405	0.806	1.917	0.462
250T200-68	0.0713	0.462	1.57	0.600	0.437	1.139	0.196	0.652	0.548	0.324	6.41	2111	0.517	0.296	8.86	3199	0.783	0.251	-1.396	0.800	1.916	0.469
250T200-97	0.1017	0.659	2.24	0.893	0.626	1.165	0.275	0.646	0.893	0.556	10.99	2954	0.856	0.51	15.27	4476	2.271	0.374	-1.376	0.789	1.915	0.484
350T125-18	0.0188	0.113	0.38	0.219	0.121	1.394	0.016	0.383	0.174	0.063	1.25	175	-	-	-	-	0.013	0.038	-0.675	0.418	1.595	0.821
350T125-27	0.0283	0.170	0.58	0.331	0.182	1.396	0.025	0.381	0.277	0.128	2.53	590	-	-	-	-	0.045	0.057	-0.670	0.416	1.595	0.823
350T125-30	0.0312	0.187	0.64	0.365	0.200	1.396	0.027	0.380	0.312	0.145	2.86	790	-	-	-	-	0.061	0.063	-0.669	0.415	1.594	0.824
350T125-33	0.0346	0.207	0.71	0.405	0.222	1.397	0.030	0.379	0.354	0.165	3.27	1024	-	-	-	-	0.083	0.070	-0.668	0.414	1.594	0.824
350T125-43	0.0451	0.270	0.92	0.528	0.288	1.397	0.038	0.377	0.490	0.233	4.61	1739	-	-	-	-	0.183	0.090	-0.663	0.412	1.592	0.826
350T125-54	0.0566	0.339	1.15	0.668	0.361	1.404	0.048	0.375	0.651	0.317	6.26	2392	0.626	0.297	8.89	3372	0.362	0.114	-0.658	0.408	1.595	0.830
350T125-68	0.0713	0.427	1.45	0.851	0.454	1.412	0.059	0.372	0.851	0.433	8.55	2994	0.839	0.407	12.18	4536	0.723	0.144	-0.650	0.403	1.599	0.835
350T125-97	0.1017	0.608	2.07	1.243	0.645	1.43	0.081	0.366	1.243	0.645	14.56	4213	1.243	0.645	19.3	6383	2.096	0.209	-0.636	0.394	1.607	0.844
350T150-27	0.0283	0.184	0.63	0.377	0.207	1.431	0.041	0.470	0.298	0.132	2.62	590	-	-	-	-	0.049	0.094	-0.869	0.529	1.739	0.750
350T150-30	0.0312	0.203	0.69	0.416	0.228	1.432	0.045	0.469	0.336	0.150	2.96	790	-	-	-	-	0.066	0.103	-0.867	0.528	1.739	0.751
350T150-33	0.0346	0.225	0.76	0.461	0.253	1.432	0.049	0.469	0.382	0.171	3.39	1024	-	-	-	-	0.090	0.114	-0.866	0.527	1.738	0.752
350T150-43	0.0451	0.293	1.00	0.601	0.328	1.433	0.064	0.467	0.531	0.243	4.80	1739	-	-	-	-	0.198	0.148	-0.861	0.525	1.736	0.754
350T150-54	0.0566	0.367	1.25	0.761	0.412	1.440	0.079	0.465	0.712	0.332	6.57	2392	0.679	0.310	9.28	3372	0.392	0.187	-0.855	0.521	1.738	0.758
350T150-68	0.0713	0.462	1.57	0.972	0.518	1.450	0.099	0.462	0.957	0.459	9.07	2994	0.919	0.428	12.81	4536	0.783	0.238	-0.847	0.516	1.741	0.763
350T150-97	0.1017	0.659	2.24	1.422	0.738	1.469	0.136	0.455	1.422	0.738	14.58	4213	1.422	0.701	20.98	6383	2.271	0.346	-0.831	0.506	1.748	0.774
350T200-33	0.0346	0.259	0.88	0.574	0.315	1.487	0.108	0.647	0.428	0.181	3.57	1024	-	-	-	-	0.103	0.249	-1.285	0.761	2.069	0.614
350T200-43	0.0451	0.338	1.15	0.749	0.409	1.489	0.140	0.645	0.600	0.257	5.09	1739	-	-	-	-	0.229	0.323	-1.280	0.758	2.066	0.616
350T200-54	0.0566	0.424	1.44	0.949	0.513	1.496	0.175	0.642	0.814	0.355	7.01	2392	0.770	0.329	9.85	3372	0.453	0.409	-1.273	0.754	2.067	0.621
350T200-68	0.0713	0.534	1.82	1.213	0.647	1.508	0.218	0.639	1.112	0.496	9.80	2994	1.054	0.458	13.71	4536	0.904	0.522	-1.264	0.749	2.069	0.626
350T200-97	0.1017	0.761	2.59	1.78	0.923	1.53	0.305	0.633	1.779	0.831	16.41	4213	1.708	0.769	23.01	6383	2.622	0.765	-1.247	0.738	2.073	0.638
350T250-43	0.0451	0.383	1.30	0.896	0.490	1.530	0.257	0.819	0.659	0.268	5.29	1739	-	-	-	-	0.260	0.593	-1.719	0.996	2.443	0.505
350T250-54	0.0566	0.480	1.63	1.137	0.615	1.538	0.321	0.817	0.900	0.371	7.33	2392	0.846	0.343	10.26	3372	0.513	0.752	-1.712	0.992	2.442	0.509
350T250-68	0.0713	0.605	2.06	1.454	0.776	1.550	0.401	0.814	1.241	0.522	10.31	2994	1.168	0.479	14.35	4536	1.025	0.961	-1.703	0.987	2.443	0.514
350T250-97	0.1017	0.862	2.93	2.139	1.109	1.575	0.563	0.808	2.027	0.889	17.56	4213	1.924	0.815	24.39	6383	2.973	1.413	-1.684	0.975	2.443	0.525
362T125-18	0.0188	0.115	0.39	0.237	0.126	1.435	0.017	0.380	0.189	0.065	1.29	169	-	-	-	-	0.014	0.042	-0.665	0.413	1.627	0.833
362T125-27	0.0283	0.173	0.59	0.358	0.191	1.438	0.025	0.378	0.301	0.135	2.66	569	-	-	-	-	0.046	0.062	-0.661	0.411	1.627	0.835
362T125-30	0.0312	0.191	0.65	0.395	0.210	1.438	0.027	0.378	0.339	0.152	3.01	762	-	-	-	-	0.062	0.068	-0.659	0.410	1.626	0.836

Track (T) Section Properties

Section	Design Thickness (in)	Gross Properties						Effective Prop. (33 ksi)				Effective Prop. (50 ksi)				Torsional Properties						
		Area (in ²)	Weight (lb/ft)	Ix (in ⁴)	Sx (in ³)	Rx (in)	Iy (in ⁴)	Ry (in)	Ixe (in ⁴)	Sxe (in ³)	Ma (in-k)	Vag (lb)	Ixe (in ⁴)	Sxe (in ³)	Ma (in-k)	Vag (lb)	Jx1000 (in ⁴)	Cw (in ⁶)	Xo (in)	m (in)	Ro (in)	β
362T200-33	0.0346	0.264	0.90	0.619	0.328	1.532	0.110	0.645	0.464	0.190	3.76	1024	-	-	-	-	0.105	0.269	-1.270	0.754	2.092	0.631
362T200-43	0.0451	0.343	1.17	0.808	0.427	1.534	0.142	0.643	0.649	0.270	5.34	1739	-	-	-	-	0.233	0.350	-1.265	0.752	2.090	0.633
362T200-54	0.0566	0.431	1.47	1.024	0.536	1.541	0.177	0.640	0.879	0.372	7.35	2480	0.832	0.345	10.34	3372	0.460	0.442	-1.259	0.748	2.091	0.637
362T200-68	0.0713	0.543	1.85	1.307	0.675	1.552	0.221	0.638	1.199	0.519	10.26	3104	1.138	0.480	14.37	4703	0.919	0.564	-1.250	0.743	2.093	0.643
362T200-97	0.1017	0.773	2.63	1.917	0.963	1.575	0.308	0.631	1.915	0.867	17.14	4370	1.839	0.803	24.06	6622	2.666	0.825	-1.232	0.732	2.097	0.655
362T250-43	0.0451	0.389	1.32	0.966	0.510	1.577	0.260	0.818	0.713	0.282	5.56	1739	-	-	-	-	0.264	0.641	-1.702	0.990	2.460	0.521
362T250-54	0.0566	0.488	1.66	1.225	0.641	1.585	0.324	0.816	0.971	0.389	7.69	2480	0.914	0.360	10.77	3372	0.521	0.812	-1.695	0.986	2.460	0.525
362T250-68	0.0713	0.614	2.09	1.565	0.808	1.597	0.406	0.813	1.337	0.546	10.79	3104	1.259	0.503	15.04	4703	1.040	1.038	-1.686	0.980	2.460	0.530
362T250-97	0.1017	0.875	2.98	2.300	1.155	1.621	0.570	0.807	2.180	0.928	18.34	4370	2.070	0.851	25.49	6622	3.016	1.524	-1.667	0.969	2.461	0.541
400T125-18 ¹	0.0188	0.122	0.41	0.297	0.144	1.560	0.017	0.374	0.241	0.072	1.42	153	-	-	-	-	0.014	0.052	-0.637	0.400	1.726	0.864
400T125-27	0.0283	0.184	0.63	0.449	0.217	1.562	0.025	0.372	0.380	0.156	3.08	515	-	-	-	-	0.049	0.078	-0.633	0.398	1.726	0.866
400T125-30	0.0312	0.203	0.69	0.495	0.239	1.562	0.028	0.371	0.427	0.176	3.49	689	-	-	-	-	0.066	0.085	-0.632	0.397	1.726	0.866
400T125-33	0.0346	0.225	0.76	0.549	0.265	1.563	0.031	0.371	0.484	0.201	3.97	940	-	-	-	-	0.090	0.095	-0.630	0.396	1.725	0.867
400T125-43	0.0451	0.293	1.00	0.716	0.344	1.563	0.040	0.369	0.666	0.282	5.57	1739	-	-	-	-	0.198	0.122	-0.626	0.394	1.724	0.868
400T125-54	0.0566	0.367	1.25	0.904	0.431	1.569	0.049	0.366	0.882	0.381	7.53	2739	0.849	0.359	10.74	3372	0.392	0.154	-0.621	0.390	1.727	0.871
400T125-68	0.0713	0.462	1.57	1.150	0.541	1.577	0.061	0.363	1.150	0.517	10.22	3435	1.134	0.488	14.62	5205	0.783	0.194	-0.614	0.386	1.731	0.874
400T125-97	0.1017	0.659	2.24	1.673	0.768	1.594	0.084	0.357	1.673	0.768	17.35	4842	1.673	0.768	23	7337	2.271	0.28	-0.60	0.377	1.74	0.881
400T150-27	0.0283	0.198	0.67	0.509	0.246	1.602	0.042	0.461	0.409	0.154	3.04	515	-	-	-	-	0.053	0.127	-0.824	0.509	1.860	0.804
400T150-30	0.0312	0.218	0.74	0.561	0.271	1.603	0.046	0.461	0.458	0.183	3.61	689	-	-	-	-	0.071	0.140	-0.823	0.508	1.859	0.804
400T150-33	0.0346	0.242	0.82	0.622	0.300	1.603	0.051	0.460	0.519	0.208	4.12	940	-	-	-	-	0.097	0.155	-0.821	0.507	1.859	0.805
400T150-43	0.0451	0.315	1.07	0.811	0.390	1.604	0.066	0.458	0.719	0.293	5.80	1739	-	-	-	-	0.214	0.200	-0.817	0.504	1.857	0.807
400T150-54	0.0566	0.396	1.35	1.025	0.489	1.610	0.082	0.456	0.960	0.399	7.89	2739	0.918	0.374	11.19	3372	0.422	0.252	-0.811	0.501	1.860	0.810
400T150-68	0.0713	0.498	1.69	1.306	0.615	1.619	0.102	0.453	1.286	0.548	10.82	3435	1.237	0.513	15.35	5205	0.844	0.320	-0.804	0.496	1.864	0.814
400T150-97	0.1017	0.710	2.41	1.903	0.874	1.638	0.141	0.447	1.903	0.874	17.27	4842	1.903	0.832	24.92	7337	2.447	0.463	-0.788	0.487	1.872	0.823
400T200-33	0.0346	0.277	0.94	0.768	0.371	1.666	0.113	0.639	0.581	0.220	4.34	940	-	-	-	-	0.110	0.336	-1.229	0.737	2.166	0.678
400T200-43	0.0451	0.360	1.23	1.002	0.482	1.668	0.146	0.637	0.811	0.311	6.14	1739	-	-	-	-	0.244	0.436	-1.224	0.734	2.164	0.680
400T200-54	0.0566	0.452	1.54	1.268	0.604	1.675	0.182	0.635	1.093	0.426	8.42	2739	1.037	0.397	11.88	3372	0.483	0.551	-1.217	0.730	2.165	0.684
400T200-68	0.0713	0.569	1.94	1.617	0.761	1.685	0.227	0.632	1.485	0.591	11.68	3435	1.412	0.549	16.42	5205	0.965	0.702	-1.209	0.725	2.168	0.689
400T200-97	0.1017	0.811	2.76	2.363	1.085	1.707	0.317	0.625	2.36	0.981	19.38	4842	2.268	0.911	27.28	7337	2.797	1.022	-1.192	0.715	2.173	0.699
400T250-43	0.0451	0.406	1.38	1.193	0.573	1.715	0.268	0.813	0.888	0.324	6.40	1739	-	-	-	-	0.275	0.799	-1.653	0.970	2.517	0.569
400T250-54	0.0566	0.509	1.73	1.511	0.720	1.723	0.335	0.811	1.205	0.445	8.80	2739	1.137	0.414	12.38	3372	0.543	1.011	-1.646	0.966	2.517	0.572
400T250-68	0.0713	0.641	2.18	1.928	0.908	1.735	0.418	0.808	1.652	0.622	12.28	3435	1.559	0.574	17.19	5205	1.086	1.289	-1.637	0.961	2.518	0.578
400T250-97	0.1017	0.913	3.11	2.824	1.296	1.759	0.588	0.802	2.679	1.049	20.72	4842	2.546	0.965	28.89	7337	3.148	1.886	-1.618	0.950	2.521	0.588
550T125-18 ^{1,3}	0.0188	0.150	0.51	0.627	0.223	2.044	0.018	0.349	-	-	-	-	-	-	-	-	0.018	0.108	-0.547	0.354	2.144	0.935
550T125-27	0.0283	0.226	0.77	0.948	0.336	2.046	0.027	0.348	0.786	0.192	3.79	372	-	-	-	-	0.060	0.160	-0.543	0.352	2.145	0.936
550T125-30	0.0312	0.250	0.85	1.045	0.370	2.046	0.030	0.347	0.897	0.226	4.47	499	-	-	-	-	0.081	0.176	-0.542	0.351	2.145	0.936
550T125-33	0.0346	0.277	0.94	1.159	0.410	2.046	0.033	0.346	1.029	0.270	5.33	680	-	-	-	-	0.110	0.195	-0.541	0.350	2.145	0.936
550T125-43	0.0451	0.360	1.23	1.510	0.533	2.047	0.043	0.344	1.428	0.416	8.23	1504	-	-	-	-	0.244	0.252	-0.537	0.348	2.144	0.937
550T125-54	0.0566	0.452	1.54	1.903	0.668	2.052	0.053	0.342	1.862	0.597	11.80	2739	1.811	0.535	16.01	2980	0.483	0.315	-0.532	0.345	2.147	0.939
550T125-68	0.0713	0.569	1.94	2.412	0.839	2.058	0.066	0.339	2.412	0.807	15.95	4347	2.379	0.769	23.02	5350	0.965	0.397	-0.526	0.341	2.152	0.940
550T125-97	0.1017	0.811	2.76	3.483	1.19	2.072	0.09	0.333	3.483	1.19	26.87	6730	3.483	1.19	35.62	10197	2.797	0.564	-0.514	0.333	2.161	0.943
550T150-27	0.0283	0.241	0.82	1.059	0.376	2.098	0.046	0.436	0.893	0.207	4.10	372	-	-	-	-	0.064	0.263	-0.716	0.456	2.259	0.900
550T150-30	0.0312	0.265	0.90	1.168	0.414	2.098	0.050	0.435	0.995	0.251	4.96	499	-	-	-	-	0.086	0.289	-0.715	0.455	2.259	0.900
550T150-33	0.0346	0.294	1.00	1.295	0.459	2.099	0.055	0.434	1.115	0.310	6.12	680	-	-	-	-	0.117	0.320	-0.714	0.455	2.259	0.900
550T150-43	0.0451	0.383	1.30	1.688	0.596	2.099	0.072	0.432	1.516	0.468	9.25	1504	-	-	-	-	0.260	0.414	-0.709	0.452	2.258	0.901
550T150-54	0.0566	0.480	1.63	2.128	0.747	2.105	0.089	0.430	2.005	0.628	12.41	2739	1.928	0.595	17.81	2980	0.513	0.519	-0.704	0.449	2.261	0.903
550T150-68	0.0713	0.605	2.06	2.699	0.939	2.112	0.110	0.427	2.660	0.850	16.80	4347	2.569	0.804	24.07	5350	1.025	0.655	-0.698	0.445	2.265	0.905
550T150-97	0.1017	0.862	2.93	3.904	1.333	2.128	0.153	0.421	3.904	1.333	26.35	6730	3.904	1.278	38.27	10197	2.973	0.937	-0.684	0.436	2.275	0.909
550T200-33	0.0346	0.329	1.12	1.567	0.555	2.184	0.123	0.613	1.246	0.307	6.06	680	-	-	-	-	0.131	0.694	-1.088	0.674	2.516	0.813
550T200-43	0.0451	0.428	1.46	2.043	0.722	2.185	0.160	0.611	1.690	0.495	9.79	1504	-	-	-	-	0.290	0.900	-1.083	0.671	2.514	0.814
550T200-54	0.0566	0.537	1.83	2.578	0.905	2.191	0.199	0.609	2.253	0.669	13.21	2739	2.153	0.630	18.86	2980	0.573	1.133	-1.077	0.668	2.517	0.817
550T200-68	0.0713	0.676	2.30	3.274	1.139	2.200	0.248	0.606	3.027	0.914	18.06	4347	2.894	0.857	25.67	5350	1.146	1.434	-1.070	0.663	2.521	0.820
550T200-97	0.1017	0.964	3.28	4.746	1.621	2.219	0.347															

Track (T) Section Properties



Section	Design Thickness (in)	Gross Properties						Effective Prop. (33 ksi)				Effective Prop. (50 ksi)				Torsional Properties						
		Area (in ²)	Weight (lb/ft)	I _x (in ⁴)	S _x (in ³)	R _x (in)	I _y (in ⁴)	R _y (in)	I _{xe} (in ⁴)	S _{xe} (in ³)	M _a (in-k)	V _g (lb)	I _{xe} (in ⁴)	S _{xe} (in ³)	M _a (in-k)	V _g (lb)	Jx1000 (in ⁴)	Cw (in ⁶)	X _o (in)	m (in)	Ro (in)	β
600T150-43	0.0451	0.405	1.38	2.072	0.673	2.261	0.073	0.424	1.890	0.474	9.36	1377	-	-	-	-	0.275	0.504	-0.680	0.437	2.398	0.920
600T150-54	0.0566	0.509	1.73	2.611	0.843	2.266	0.091	0.422	2.473	0.689	13.62	2728	2.400	0.609	18.24	2728	0.543	0.632	-0.675	0.434	2.401	0.921
600T150-68	0.0713	0.641	2.18	3.309	1.059	2.273	0.113	0.419	3.262	0.963	19.03	4347	3.162	0.891	26.68	5350	1.086	0.797	-0.669	0.430	2.406	0.923
600T150-97	0.1017	0.913	3.11	4.778	1.504	2.288	0.156	0.413	4.778	1.504	29.71	7359	4.778	1.444	43.23	10885	3.148	1.138	-0.656	0.421	2.415	0.926
600T150-118	0.1242	1.115	3.79	5.886	1.829	2.298	0.186	0.409	-	-	-	-	5.886	1.829	61.64	13539	5.730	1.389	-0.647	0.415	2.422	0.929
600T200-33	0.0346	0.346	1.18	1.913	0.622	2.352	0.126	0.604	1.542	0.333	6.59	622	-	-	-	-	0.138	0.847	-1.048	0.655	2.645	0.843
600T200-43	0.0451	0.451	1.53	2.494	0.809	2.353	0.163	0.602	2.076	0.565	11.16	1377	-	-	-	-	0.305	1.098	-1.044	0.652	2.643	0.844
600T200-54	0.0566	0.565	1.92	3.145	1.015	2.359	0.203	0.600	2.759	0.759	15.00	2728	2.641	0.717	21.48	2728	0.604	1.381	-1.038	0.649	2.646	0.846
600T200-68	0.0713	0.712	2.42	3.990	1.277	2.367	0.254	0.597	3.696	1.034	20.42	4347	3.540	0.973	29.12	5350	1.206	1.746	-1.031	0.644	2.650	0.849
600T200-97	0.1017	1.015	3.45	5.773	1.816	2.385	0.354	0.591	5.758	1.667	32.95	7359	5.558	1.568	46.94	10885	3.499	2.510	-1.016	0.635	2.659	0.854
600T200-118	0.1242	1.239	4.21	7.122	2.214	2.398	0.426	0.586	-	-	-	-	7.122	2.051	61.42	13539	6.369	3.083	-1.006	0.628	2.665	0.858
600T250-43	0.0451	0.496	1.69	2.916	0.946	2.425	0.303	0.781	2.269	0.563	11.13	1377	-	-	-	-	0.336	2.004	-1.436	0.878	2.925	0.759
600T250-54	0.0566	0.622	2.12	3.678	1.187	2.432	0.377	0.779	3.014	0.794	15.68	2728	2.881	0.732	21.92	2728	0.664	2.523	-1.430	0.874	2.927	0.761
600T250-68	0.0713	0.783	2.67	4.670	1.495	2.442	0.472	0.776	4.065	1.085	21.45	4347	3.871	1.017	30.46	5350	1.327	3.198	-1.422	0.869	2.930	0.764
600T250-97	0.1017	1.117	3.80	6.767	2.129	2.462	0.662	0.770	6.441	1.775	35.08	7359	6.158	1.656	49.58	10885	3.849	4.616	-1.406	0.859	2.938	0.771
600T250-118	0.1242	1.363	4.64	8.359	2.598	2.477	0.798	0.765	8.306	2.343	46.30	8936	7.990	2.188	65.51	13539	7.008	5.686	-1.394	0.852	2.943	0.776
800T125-33 ¹	0.0346	0.363	1.24	2.895	0.711	2.824	0.036	0.313	2.441	0.407	8.03	465	-	-	-	-	0.145	0.456	-0.439	0.294	2.875	0.977
800T125-43	0.0451	0.473	1.61	3.773	0.924	2.824	0.046	0.311	3.484	0.640	12.65	1030	-	-	-	-	0.321	0.589	-0.436	0.292	2.874	0.977
800T125-54	0.0566	0.594	2.02	4.745	1.158	2.827	0.057	0.309	4.668	0.940	18.58	2039	4.426	0.824	24.66	2039	0.634	0.735	-0.432	0.289	2.877	0.977
800T125-68	0.0713	0.748	2.54	5.998	1.454	2.833	0.070	0.306	5.998	1.356	26.80	4087	5.956	1.216	36.39	4087	1.267	0.920	-0.427	0.286	2.881	0.978
800T125-97	0.1017	1.066	3.63	8.613	2.062	2.843	0.096	0.301	8.613	2.062	40.74	8843	8.613	2.062	61.72	10885	3.674	1.296	-0.417	0.279	2.889	0.979
800T125-118	0.1242	1.301	4.43	10.569	2.506	2.850	0.114	0.297	-	-	-	-	10.569	2.506	86.21	16235	6.688	1.567	-0.410	0.274	2.895	0.980
800T150-33 ¹	0.0346	0.380	1.29	3.180	0.781	2.891	0.060	0.397	2.569	0.414	8.18	465	-	-	-	-	0.152	0.751	-0.588	0.388	2.977	0.961
800T150-43	0.0451	0.496	1.69	4.144	1.015	2.891	0.077	0.395	3.689	0.655	12.95	1030	-	-	-	-	0.336	0.972	-0.584	0.386	2.976	0.961
800T150-54	0.0566	0.622	2.12	5.214	1.272	2.896	0.096	0.393	4.976	0.969	19.15	2039	4.692	0.844	25.27	2039	0.664	1.215	-0.580	0.383	2.979	0.962
800T150-68	0.0713	0.783	2.67	6.594	1.599	2.902	0.119	0.390	6.527	1.412	27.91	4087	6.361	1.255	37.58	4087	1.327	1.526	-0.575	0.379	2.984	0.963
800T150-97	0.1017	1.116	3.80	9.479	2.269	2.914	0.165	0.384	9.479	2.269	44.83	8843	9.479	2.192	65.62	10885	3.849	2.162	-0.564	0.372	2.993	0.965
800T150-118	0.1242	1.363	4.64	11.641	2.760	2.923	0.197	0.380	-	-	-	-	11.641	2.760	93.00	16235	7.008	2.627	-0.555	0.366	2.999	0.966
800T200-33 ¹	0.0346	0.415	1.41	3.749	0.921	3.005	0.135	0.571	2.788	0.424	8.37	465	-	-	-	-	0.166	1.638	-0.917	0.589	3.194	0.918
800T200-43	0.0451	0.541	1.84	4.887	1.197	3.006	0.175	0.569	4.043	0.676	13.35	1030	-	-	-	-	0.367	2.124	-0.913	0.587	3.193	0.918
800T200-54	0.0566	0.679	2.31	6.152	1.501	3.011	0.218	0.567	5.505	1.009	19.93	2039	5.149	0.871	26.09	2039	0.725	2.664	-0.908	0.584	3.196	0.919
800T200-68	0.0713	0.854	2.91	7.786	1.888	3.019	0.272	0.564	7.306	1.490	29.45	4087	7.051	1.310	39.22	4087	1.448	3.357	-0.902	0.580	3.201	0.921
800T200-97	0.1017	1.218	4.15	11.212	2.683	3.034	0.379	0.558	11.176	2.491	49.22	8843	10.833	2.347	70.27	10885	4.200	4.792	-0.889	0.571	3.210	0.923
800T200-118	0.1242	1.487	5.06	13.785	3.269	3.045	0.455	0.553	-	-	-	-	13.785	3.059	91.59	16235	7.646	5.854	-0.879	0.565	3.217	0.925
800T250-43	0.0451	0.586	1.99	5.629	1.380	3.100	0.326	0.746	4.593	0.739	14.60	1030	-	-	-	-	0.397	3.877	-1.274	0.801	3.433	0.862
800T250-54	0.0566	0.735	2.50	7.090	1.730	3.106	0.407	0.744	5.948	1.193	23.57	2039	5.816	0.959	28.71	2039	0.785	4.870	-1.268	0.798	3.436	0.864
800T250-68	0.0713	0.926	3.15	8.978	2.177	3.114	0.509	0.741	7.917	1.648	32.57	4087	7.588	1.560	46.72	4087	1.569	6.151	-1.261	0.793	3.441	0.866
800T250-97	0.1017	1.320	4.49	12.944	3.098	3.132	0.713	0.735	12.361	2.641	52.19	8843	11.872	2.487	74.47	10885	4.550	8.818	-1.247	0.784	3.450	0.869
800T250-118	0.1242	1.611	5.48	15.930	3.777	3.144	0.860	0.731	15.822	3.448	68.14	12009	15.272	3.248	97.26	16235	8.285	10.807	-1.236	0.777	3.457	0.872
1000T125-43 ¹	0.0451	0.563	1.92	6.630	1.305	3.431	0.047	0.290	5.886	0.819	16.19	822	-	-	-	-	0.382	0.973	-0.379	0.259	3.464	0.988
1000T125-54	0.0566	0.707	2.41	8.333	1.634	3.434	0.059	0.288	7.960	1.216	24.03	1628	7.479	1.055	31.59	1628	0.755	1.212	-0.376	0.256	3.466	0.988
1000T125-68	0.0713	0.890	3.03	10.522	2.053	3.438	0.073	0.286	10.452	1.781	35.19	3261	10.155	1.575	47.15	3261	1.508	1.515	-0.372	0.253	3.470	0.989
1000T125-97	0.1017	1.269	4.32	15.077	2.912	3.447	0.100	0.280	15.077	2.907	57.44	8843	15.077	2.753	82.42	9507	4.375	2.123	-0.363	0.247	3.477	0.989
1000T125-118	0.1242	1.549	5.27	18.471	3.540	3.453	0.118	0.276	-	-	-	-	18.471	3.535	105.85	16235	7.966	2.558	-0.357	0.243	3.482	0.990
1000T150-43 ¹	0.0451	0.586	1.99	7.207	1.419	3.507	0.080	0.370	6.195	0.837	16.54	822	-	-	-	-	0.397	1.612	-0.513	0.345	3.564	0.979
1000T150-54	0.0566	0.735	2.50	9.061	1.777	3.511	0.100	0.368	8.430	1.249	24.69	1628	7.880	1.079	32.29	1628	0.785	2.013	-0.509	0.342	3.567	0.980
1000T150-68	0.0713	0.926	3.15	11.445	2.233	3.516	0.124	0.366	11.342	1.846	36.48	3261	10.774	1.621	48.53	3261	1.569	2.522	-0.505	0.339	3.571	0.980
1000T150-97	0.1017	1.320	4.49	16.413	3.170	3.526	0.171	0.360	16.413	3.165	62.54	8843	16.413	2.902	86.90	9507	4.550	3.557	-0.495	0.332	3.579	0.981
1000T150-118	0.1242	1.611	5.48	20.121	3.857	3.534	0.204	0.356	-	-	-	-	20.121	3.852	115.32	16235	8.285	4.307	-0.488	0.328	3.585	0.982
1000T200-43 ¹	0.0451	0.631	2.15	8.361	1.646	3.640	0.183	0.539	6.722	0.861	17.01	822	-	-	-	-	0.428	3.540	-0.813	0.534	3.769	0.953
1000T200-54	0.0566	0.792	2.69	10.516	2.062	3.645	0.228	0.537	9.231	1.295	25.60	1628	8.560	1.111	33.26	1628	0.845	4.434	-0.809	0.531	3.772	

Section	Design Thickness (in)	Gross Properties							Effective Prop. (33 ksi)				Effective Prop. (50 ksi)				Torsional Properties					
		Area (in ²)	Weight (lb/ft)	I _x (in ⁴)	S _x (in ³)	R _x (in)	I _y (in ⁴)	R _y (in)	I _{xe} (in ⁴)	S _{xe} (in ³)	M _a (in-k)	V _{ag} (lb)	I _{xe} (in ⁴)	S _{xe} (in ³)	M _a (in-k)	V _{ag} (lb)	J _{x1000} (in ⁴)	C _w (in ⁶)	X _o (in)	m (in)	R _o (in)	β
1200T200-97	0.1017	1.625	5.53	29.805	4.824	4.283	0.410	0.502	29.805	4.298	84.93	7902	28.959	3.819	114.35	7902	5.602	11.945	-0.714	0.476	4.371	0.973
1200T200-118	0.1242	1.984	6.75	36.530	5.876	4.291	0.492	0.498	-	-	-	-	36.530	5.278	158.02	14434	10.201	14.513	-0.706	0.471	4.377	0.974
1200T250-54 ¹	0.0566	0.962	3.27	18.550	3.041	4.392	0.445	0.681	15.021	1.617	31.95	1354	13.756	1.374	41.14	1354	1.027	12.339	-1.039	0.680	4.565	0.948
1200T250-68	0.0713	1.211	4.12	23.435	3.826	4.399	0.556	0.678	20.720	2.451	48.44	2713	19.255	2.106	63.04	2713	2.052	15.529	-1.033	0.676	4.569	0.949
1200T250-97	0.1017	1.727	5.88	33.623	5.442	4.413	0.780	0.672	32.479	4.489	88.70	7902	31.310	3.954	118.37	7902	5.953	22.101	-1.021	0.668	4.579	0.950
1200T250-118	0.1242	2.108	7.17	41.236	6.632	4.423	0.940	0.668	40.963	6.138	121.28	13189	39.954	5.519	165.24	14434	10.839	26.943	-1.013	0.662	4.586	0.951
1400T125-54 ¹	0.0566	0.933	3.18	19.977	2.814	4.627	0.061	0.256	17.725	1.767	34.91	1160	16.407	1.517	45.42	1160	0.997	2.559	-0.299	0.209	4.643	0.996
1400T125-68	0.0713	1.175	4.00	25.196	3.536	4.630	0.076	0.254	23.552	2.632	52.01	2322	22.620	2.293	68.64	2322	1.992	3.189	-0.296	0.206	4.646	0.996
1400T125-97	0.1017	1.676	5.70	36.024	5.019	4.636	0.104	0.249	35.475	4.489	88.53	6761	34.588	4.134	123.76	6761	5.778	4.483	-0.289	0.201	4.652	0.996
1400T125-118	0.1242	2.046	6.96	44.068	6.106	4.641	0.123	0.245	-	-	-	-	43.752	5.453	163.27	12344	10.520	5.334	-0.284	0.197	4.656	0.996
1400T150-54 ¹	0.0566	0.962	3.27	21.392	3.013	4.717	0.105	0.330	18.620	1.810	35.76	1160	17.153	1.547	46.33	1160	1.027	4.280	-0.410	0.283	4.746	0.993
1400T150-68	0.0713	1.211	4.12	26.987	3.788	4.721	0.130	0.327	25.409	2.717	53.68	2322	23.803	2.352	70.42	2322	2.052	5.349	-0.407	0.280	4.749	0.993
1400T150-97	0.1017	1.727	5.88	38.607	5.379	4.729	0.180	0.322	38.340	4.834	95.52	6761	37.285	4.332	129.69	6761	5.953	7.503	-0.399	0.275	4.756	0.993
1400T150-118	0.1242	2.108	7.17	47.247	6.546	4.734	0.214	0.319	-	-	-	-	46.911	5.887	176.24	12344	10.839	9.048	-0.393	0.270	4.761	0.993
1400T200-54 ¹	0.0566	1.018	3.46	24.221	3.412	4.878	0.242	0.487	20.098	1.868	36.92	1160	18.387	1.589	47.56	1160	1.087	9.520	-0.665	0.449	4.947	0.982
1400T200-68	0.0713	1.282	4.36	30.571	4.291	4.883	0.301	0.485	27.707	2.830	55.93	2322	25.738	2.432	72.81	2322	2.173	11.942	-0.661	0.446	4.951	0.982
1400T200-97	0.1017	1.828	6.22	43.773	6.098	4.893	0.420	0.479	43.679	5.174	102.24	6761	41.749	4.559	136.48	6761	6.304	16.883	-0.651	0.439	4.959	0.983
1400T200-118	0.1242	2.232	7.60	53.606	7.427	4.900	0.504	0.475	-	-	-	-	53.453	6.354	190.23	12344	11.478	20.479	-0.644	0.434	4.965	0.983
1400T250-54 ¹	0.0566	1.075	3.66	27.051	3.811	5.017	0.458	0.653	21.342	1.907	37.68	1160	19.421	1.616	48.38	1160	1.148	17.550	-0.954	0.633	5.149	0.966
1400T250-68	0.0713	1.354	4.61	34.154	4.794	5.023	0.573	0.651	29.615	2.906	57.42	2322	27.352	2.485	74.40	2322	2.294	22.063	-0.949	0.629	5.153	0.966
1400T250-97	0.1017	1.930	6.57	48.939	6.818	5.036	0.803	0.645	47.449	5.386	106.42	6761	44.883	4.708	140.94	6761	6.654	31.333	-0.938	0.622	5.163	0.967
1400T250-118	0.1242	2.357	8.02	59.965	8.308	5.045	0.967	0.641	59.734	7.439	146.99	12344	58.277	6.622	198.25	12344	12.117	38.137	-0.930	0.616	5.169	0.968
1600T125-68	0.0713	1.318	4.48	35.916	4.421	5.220	0.077	0.241	32.443	3.058	60.42	2030	31.004	2.651	79.37	2030	2.233	4.273	-0.268	0.189	5.233	0.997
1600T125-97	0.1017	1.879	6.39	51.322	6.276	5.226	0.105	0.237	49.844	5.273	104.19	5908	47.830	4.825	144.47	5908	6.479	9.945	-0.262	0.184	5.238	0.997
1600T125-118	0.1242	2.294	7.81	62.755	7.637	5.230	0.125	0.233	-	-	-	-	60.930	6.420	192.21	10783	11.797	7.126	-0.257	0.181	5.241	0.998
1600T150-68	0.0713	1.354	4.61	38.249	4.708	5.316	0.132	0.312	34.945	3.152	62.28	2030	32.537	2.717	81.34	2030	2.294	7.188	-0.371	0.258	5.338	0.995
1600T150-97	0.1017	1.930	6.57	54.681	6.686	5.323	0.182	0.307	53.172	5.674	112.12	5908	51.382	5.047	151.11	5908	6.654	10.066	-0.363	0.253	5.344	0.995
1600T150-97	0.1242	2.357	8.02	66.886	8.140	5.328	0.218	0.304	-	-	-	-	65.023	6.911	206.91	10783	12.117	12.124	-0.358	0.249	5.348	0.996
1600T200-68	0.0713	1.425	4.85	42.914	5.282	5.488	0.307	0.464	37.904	3.277	64.76	2030	35.009	2.805	83.99	2030	2.415	16.123	-0.607	0.414	5.541	0.988
1600T200-97	0.1017	2.032	6.91	61.398	7.508	5.497	0.428	0.459	60.199	6.052	119.6	5908	57.292	5.298	158.62	5908	7.005	22.755	-0.598	0.408	5.549	0.988
1600T200-118	0.1242	2.481	8.44	75.146	9.145	5.504	0.514	0.455	-	-	-	-	73.613	7.433	222.53	10783	12.755	27.568	-0.592	0.403	5.554	0.989
1600T250-68 ¹	0.0713	1.496	5.09	47.580	5.856	5.639	0.586	0.626	40.337	3.360	66.40	2030	37.060	2.864	85.75	2030	2.535	29.878	-0.878	0.588	5.741	0.977
1600T250-97	0.1017	2.134	7.26	68.116	8.329	5.650	0.821	0.620	65.163	6.285	124.19	5908	61.325	5.461	163.51	5908	7.355	42.361	-0.868	0.581	5.750	0.977
1600T250-118	0.1242	2.605	8.86	83.406	10.150	5.659	0.989	0.616	83.311	8.747	172.84	10783	79.965	7.727	231.83	10783	13.394	51.497	-0.860	0.576	5.757	0.978

¹Web height-to-thickness ratio exceeds 200. Web stiffeners are required at all support points and concentrated loads.

²Allowable moment includes cold work of forming.

³Where web height-to-thickness ratio exceeds 260 or flange width-to-thickness ratio exceeds 60, effective properties are not calculated. See AISI S100 Section B1. Application of these products in a non-composite design shall be approved by a design professional.

See Table Notes on page 15.

Table Notes

1. Allowable composite limiting heights are calculated using ICC-ES AC86-2012.
2. No fasteners are required for attaching the stud to the track.
3. Stud end bearing must be a minimum of 1 inch.
4. Composite limiting heights are based on a single layer of 5/8" type X gypsum board installed in the vertical orientation to both sides of the wall over full height using minimum No. 6 Type S Drywall screws spaced a maximum of 12" oc for studs at 24" spacing, and 16" oc for studs at 16" and 12" spacing.

Section	Fy (ksi)	Spacing (in) oc	5 psf			7.5 psf			10 psf		
			L/120	L/240	L/360	L/120	L/240	L/360	L/120	L/240	L/360
162S125-18	33	12	13' 0" f	11' 1"	9' 10"	10' 8" f	9' 8"	8' 7"	9' 3" f	8' 9"	7' 9"
		16	11' 3" f	10' 1"	8' 11"	9' 3" f	8' 9"	7' 9"	8' 0" f	7' 11"	-
		24	9' 3" f	8' 9"	7' 9"	-	-	-	-	-	-
162S125-27	33	12	14' 9"	11' 8"	10' 2"	12' 10"	10' 2"	8' 7"	11' 8"	9' 1"	7' 6"
		16	13' 4"	10' 7"	9' 1"	11' 8"	9' 1"	7' 6"	10' 7"	7' 11"	-
		24	11' 8"	9' 1"	-	10' 2"	-	-	9' 1"	-	-
162S125-30	33	12	14' 11"	11' 10"	10' 4"	13' 1"	10' 4"	8' 11"	11' 10"	9' 4"	7' 11"
		16	13' 7"	10' 9"	9' 4"	11' 10"	9' 4"	7' 11"	10' 9"	8' 3"	-
		24	11' 10"	9' 4"	7' 11"	10' 4"	7' 11"	-	9' 4"	-	-
250S125-18	33	12	16' 4" f	14' 2"	12' 9"	13' 4" f	12' 4"	11' 2"	11' 7" f	11' 3"	10' 2"
		16	14' 2" f	12' 10"	11' 7"	11' 7" f	11' 3"	10' 2"	10' 0" f	10' 0" f	9' 0"
		24	11' 7" f	11' 3"	10' 2"	9' 5" f	9' 5" f	8' 6"	8' 2" f	8' 2" f	-
250S125-27	33	12	18' 7"	15' 4"	13' 9"	16' 3"	13' 5"	12' 0"	14' 9"	12' 2"	10' 11"
		16	16' 10"	13' 11"	12' 5"	14' 9"	12' 2"	10' 11"	13' 5"	11' 1"	9' 11"
		24	14' 9"	12' 2"	10' 11"	12' 11"	10' 8"	9' 4"	11' 3" f	9' 8"	8' 1"
250S125-30	33	12	18' 5"	15' 10"	14' 1"	16' 1"	13' 10"	12' 4"	14' 7"	12' 7"	11' 2"
		16	16' 9"	14' 5"	12' 10"	14' 7"	12' 7"	11' 2"	13' 3"	11' 5"	10' 2"
		24	14' 7"	12' 7"	11' 2"	12' 9"	11' 0"	9' 9"	11' 7"	10' 0"	8' 8"
250S125-33	33	12	19' 8"	15' 8"	13' 8"	17' 3"	13' 8"	11' 11"	15' 8"	12' 5"	10' 10"
		16	17' 11"	14' 3"	12' 5"	15' 8"	12' 5"	10' 10"	14' 3"	11' 3"	9' 10"
		24	15' 8"	12' 5"	10' 10"	13' 8"	10' 10"	9' 5"	12' 4" f	9' 10"	8' 4"
350S125-18	33	12	18' 3" f	16' 4"	14' 4"	14' 11" f	14' 4"	12' 6"	12' 11" f	12' 11" f	11' 4"
		16	15' 10" f	14' 10"	13' 0"	12' 11" f	12' 11" f	11' 4"	11' 2" f	11' 2" f	10' 3"
		24	12' 11" f	12' 11" f	11' 4"	10' 7" f	10' 7" f	9' 11"	9' 2" f	9' 2" f	9' 0"
350S125-27	33	12	22' 6"	17' 11"	15' 7"	19' 8"	15' 7"	13' 8"	17' 11"	14' 2"	12' 4"
		16	20' 6"	16' 3"	14' 2"	17' 11"	14' 2"	12' 4"	15' 10" f	12' 11"	11' 2"
		24	17' 11"	14' 2"	12' 4"	14' 11" f	12' 4"	10' 8"	12' 11" f	11' 2"	-
350S125-30	33	12	22' 6"	17' 11"	15' 8"	19' 8"	15' 8"	13' 8"	17' 11"	14' 2"	12' 4"
		16	20' 6"	16' 3"	14' 2"	17' 11"	14' 2"	12' 4"	16' 3"	12' 11"	11' 1"
		24	17' 11"	14' 2"	12' 4"	15' 8"	12' 4"	10' 7"	13' 9" f	11' 1"	-
350S125-33	33	12	23' 0"	18' 3"	15' 11"	20' 1"	15' 11"	13' 11"	18' 3"	14' 6"	12' 8"
		16	20' 11"	16' 7"	14' 6"	18' 3"	14' 6"	12' 8"	16' 7"	13' 2"	11' 4"
		24	18' 3"	14' 6"	12' 8"	15' 11"	12' 8"	10' 10"	14' 4" f	11' 4"	9' 8"
362S125-18	33	12	18' 8" f	16' 8"	14' 7"	15' 3" f	14' 7"	12' 9"	13' 2" f	13' 2" f	11' 6"
		16	16' 2" f	15' 2"	13' 3"	13' 2" f	13' 2" f	11' 6"	11' 5" f	11' 5" f	10' 4"
		24	13' 2" f	13' 2" f	11' 6"	10' 9" f	10' 9" f	9' 11"	9' 4" f	9' 4" f	8' 11"
362S125-27	33	12	22' 10"	18' 2"	15' 10"	19' 11"	15' 10"	13' 10"	18' 2"	14' 5"	12' 6"
		16	20' 9"	16' 6"	14' 5"	18' 2"	14' 5"	12' 6"	15' 9" f	13' 1"	11' 1"
		24	18' 2"	14' 5"	12' 6"	14' 11" f	12' 6"	10' 7"	12' 11" f	11' 1"	-
362S125-30	33	12	22' 10"	18' 3"	16' 4"	19' 11"	16' 0"	14' 3"	18' 1"	14' 6"	12' 11"
		16	20' 8"	16' 7"	14' 10"	18' 1"	14' 6"	12' 11"	16' 5"	13' 2"	11' 6"
		24	18' 1"	14' 6"	12' 11"	15' 9" f	12' 8"	10' 11"	13' 8" f	11' 4"	-
362S125-33	33	12	24' 2"	19' 2"	16' 9"	21' 1"	16' 9"	14' 8"	19' 2"	15' 3"	13' 4"
		16	21' 11"	17' 5"	15' 3"	19' 2"	15' 3"	13' 4"	17' 5"	13' 10"	11' 11"
		24	19' 2"	15' 3"	13' 4"	16' 8" f	13' 4"	11' 4"	14' 5" f	11' 11"	10' 1"

Note: 'f' adjacent to the height value indicates that flexural stress controls the allowable wall height.

Section	Fy (ksi)	Spacing (in) oc	5 psf			7.5 psf			10 psf		
			L/120	L/240	L/360	L/120	L/240	L/360	L/120	L/240	L/360
400S125-18	33	12	19' 3" f	17' 6"	15' 4"	15' 9" f	15' 4"	13' 4"	13' 8" f	13' 8" f	12' 2"
		16	16' 8" f	15' 11"	13' 11"	13' 8" f	13' 8" f	12' 2"	11' 10" f	11' 10" f	11' 0"
		24	13' 8" f	13' 8" f	12' 2"	11' 2" f	11' 2" f	10' 7"	9' 8" f	9' 8" f	9' 7"
400S125-27	33	12	24' 6"	19' 5"	17' 0"	21' 5"	17' 0"	14' 10"	18' 8" f	15' 5"	13' 6"
		16	22' 3"	17' 8"	15' 5"	18' 8" f	15' 5"	13' 6"	16' 2" f	14' 0"	12' 2"
		24	18' 8" f	15' 5"	13' 6"	15' 3" f	13' 6"	11' 8"	13' 3" f	12' 2"	10' 6"
400S125-30	33	12	24' 6"	19' 5"	17' 0"	21' 5"	17' 0"	14' 10"	19' 5"	15' 5"	13' 6"
		16	22' 3"	17' 8"	15' 5"	19' 5"	15' 5"	13' 6"	17' 5" f	14' 0"	12' 2"
		24	19' 5"	15' 5"	13' 6"	16' 5" f	13' 6"	11' 7"	14' 2" f	12' 2"	10' 4"
400S125-33	33	12	25' 3"	20' 1"	17' 6"	22' 1"	17' 6"	15' 4"	20' 1"	15' 11"	13' 11"
		16	22' 11"	18' 3"	15' 11"	20' 1"	15' 11"	13' 11"	18' 3"	14' 5"	12' 7"
		24	20' 1"	15' 11"	13' 11"	17' 3" f	13' 11"	12' 0"	15' 0" f	12' 7"	10' 9"
550S125-18	33	12	21' 11" f	21' 11" f	19' 6"	17' 10" f	17' 10" f	17' 0"	15' 6" f	15' 6" f	15' 6" f
		16	19' 0" f	19' 0" f	17' 9"	15' 6" f	15' 6" f	15' 6" f	13' 5" f	13' 5" f	13' 5" f
		24	15' 6" f	15' 6" f	15' 6" f	12' 8" f	12' 8" f	12' 8" f	-	-	-
550S125-27	33	12	30' 4"	24' 8"	21' 10"	26' 9" f	21' 10"	19' 4"	23' 2" f	20' 0"	17' 8"
		16	27' 11"	22' 8"	20' 0"	23' 2" f	20' 0"	17' 8"	20' 1" f	18' 4"	16' 0"
		24	23' 2" f	20' 0"	17' 8"	18' 11" f	17' 8"	15' 5"	16' 5" f	16' 0"	-
550S125-30	33	12	30' 5"	24' 10"	22' 0"	27' 0"	22' 0"	19' 5"	24' 10"	20' 2"	17' 10"
		16	28' 0"	22' 9"	20' 2"	24' 10" f	20' 2"	17' 10"	21' 7" f	18' 6"	16' 2"
		24	24' 10"	20' 2"	17' 10"	20' 4" f	17' 10"	15' 7"	17' 7" f	16' 2"	-
600S125-18	33	12	23' 2' f	22' 9"	19' 11"	18' 11" f	18' 11" f	17' 5"	16' 4" f	16' 4" f	15' 10"
		16	20' 1" f	20' 1" f	18' 1"	16' 4" f	16' 4" f	15' 10"	14' 2" f	14' 2" f	14' 2" f
		24	16' 4" f	16' 4" f	15' 10"	13' 4" f	13' 4" f	13' 4" f	-	-	-
600S125-27	33	12	32' 5" f	26' 9"	23' 5"	26' 5" f	23' 5"	20' 5"	22' 11" f	21' 3"	18' 7"
		16	28' 1" f	24' 4"	21' 3"	22' 11" f	21' 3"	18' 7"	19' 10" f	19' 4"	16' 10"
		24	22' 11" f	21' 3"	18' 7"	18' 8" f	18' 7"	16' 1"	16' 2" f	16' 2" f	-
600S125-30	33	12	34' 2"	27' 1"	23' 8"	28' 11" f	23' 8"	20' 8"	25' 0" f	21' 6"	18' 9"
		16	30' 8" f	24' 7"	21' 6"	25' 0" f	21' 6"	18' 9"	21' 8" f	19' 6"	17' 1"
		24	25' 0" f	21' 6"	18' 9"	20' 5" f	18' 9"	16' 5"	17' 8" f	17' 1"	-
600S125-33	33	12	35' 4"	28' 1"	24' 6"	30' 10"	24' 6"	21' 5"	27' 10" f	22' 3"	19' 5"
		16	32' 1" f	25' 6"	22' 3"	27' 10" f	22' 3"	19' 5"	24' 1" f	20' 3"	17' 8"
		24	27' 10" f	22' 3"	19' 5"	22' 9" f	19' 5"	16' 11"	19' 8" f	17' 8"	-

Note: 'f' adjacent to the height value indicates that flexural stress controls the allowable wall height.
 See Table Notes on page 19.

Interior Wall Limiting Heights - Non-Composite - Fully Braced



Table Notes

1. Five pounds per square foot (psf), 7.5 psf, and 10 psf loads have **not** been reduced for strength or deflection checks; full lateral load is applied.
2. Limiting heights are based on steel properties only (non-composite) without the contribution of sheathing to strength and stiffness of the assembly. Properly fastened sheathing is still required for members to be considered fully braced.
3. Web crippling check based on 1" end bearing.
4. Studs are assumed to be adequately braced at maximum spacing of L_u to develop full allowable moment.
5. See page 5 for additional table notes.

Section	F_y (ksi)	L_u (in)	Spacing (in) oc	5 psf			7.5 psf			10 psf		
				L/120	L/240	L/360	L/120	L/240	L/360	L/120	L/240	L/360
162S125-18	33	29.0	12	9' 0"	7' 8"	6' 8"	7' 4"	6' 8"	5' 10"	6' 4"	6' 1"	5' 4"
			16	7' 9"	6' 11"	6' 1"	6' 4"	6' 1"	5' 4"	5' 6"	5' 6"	4' 10"
			24	6' 4"	6' 1"	5' 4"	5' 2"	5' 2"	4' 8"	4' 6"	4' 6"	4' 3"
162S125-27	33	29.1	12	11' 3"	8' 11"	7' 10"	9' 8"	7' 10"	6' 10"	8' 4"	7' 1"	6' 3"
			16	10' 3"	8' 2"	7' 1"	8' 4"	7' 1"	6' 3"	7' 3"	6' 5"	5' 8"
			24	8' 4"	7' 1"	6' 3"	6' 10"	6' 3"	5' 5"	5' 11"	5' 8"	4' 11"
162S125-30	33	29.2	12	11' 8"	9' 3"	8' 1"	10' 2"	8' 1"	7' 1"	8' 11"	7' 4"	6' 5"
			16	10' 7"	8' 5"	7' 4"	8' 11"	7' 4"	6' 5"	7' 9"	6' 8"	5' 10"
			24	8' 11"	7' 4"	6' 5"	7' 3"	6' 5"	5' 7"	6' 4"	5' 10"	5' 1"
162S125-33	33	29.2	12	12' 0"	9' 6"	8' 4"	10' 6"	8' 4"	7' 3"	9' 6"	7' 7"	6' 7"
			16	10' 11"	8' 8"	7' 7"	9' 6"	7' 7"	6' 7"	8' 3"	6' 11"	6' 0"
			24	9' 6"	7' 7"	6' 7"	7' 10"	6' 7"	5' 9"	6' 9"	6' 0"	5' 3"
250S125-18	33	29.0	12	11' 8"	10' 6"	9' 2"	9' 7"	9' 2"	8' 1"	8' 3"	8' 3"	7' 4"
			16	10' 2"	9' 7"	8' 4"	8' 3"	8' 3"	7' 4"	7' 2"	7' 2"	6' 8"
			24	8' 3"	8' 3"	7' 4"	6' 9"	6' 9"	6' 5"	5' 10"	5' 10"	5' 10"
250S125-27	33	28.9	12	15' 7"	12' 4"	10' 10"	12' 9"	10' 10"	9' 5"	11' 0"	9' 10"	8' 7"
			16	13' 6"	11' 3"	9' 10"	11' 0"	9' 10"	8' 7"	9' 7"	8' 11"	7' 10"
			24	11' 0"	9' 10"	8' 7"	9' 0"	8' 7"	7' 6"	7' 10"	7' 10"	6' 10"
250S125-30	33	28.9	12	16' 1"	12' 9"	11' 2"	13' 7"	11' 2"	9' 9"	11' 10"	10' 2"	8' 10"
			16	14' 5"	11' 7"	10' 2"	11' 10"	10' 2"	8' 10"	10' 3"	9' 2"	8' 1"
			24	11' 10"	10' 2"	8' 10"	9' 8"	8' 10"	7' 9"	8' 4"	8' 1"	7' 0"
250S125-33	33	28.9	12	16' 7"	13' 2"	11' 6"	14' 6"	11' 6"	10' 1"	12' 8"	10' 6"	9' 2"
			16	15' 1"	12' 0"	10' 6"	12' 8"	10' 6"	9' 2"	11' 0"	9' 6"	8' 4"
			24	12' 8"	10' 6"	9' 2"	10' 4"	9' 2"	8' 0"	8' 11"	8' 4"	7' 3"
250S125-43	33	28.9	12	18' 1"	14' 4"	12' 6"	15' 10"	12' 6"	10' 11"	14' 4"	11' 5"	9' 11"
			16	16' 5"	13' 0"	11' 5"	14' 4"	11' 5"	9' 11"	13' 0"	10' 4"	9' 0"
			24	14' 4"	11' 5"	9' 11"	12' 4"	9' 11"	8' 8"	10' 8"	9' 0"	7' 11"
350S125-18	33	28.8	12	13' 9"	13' 9"	12' 1"	11' 3"	11' 3"	10' 7"	9' 9"	9' 9"	9' 7"
			16	11' 11"	11' 11"	11' 0"	9' 9"	9' 9"	9' 7"	8' 5"	8' 5"	8' 5"
			24	9' 9"	9' 9"	9' 7"	7' 11"	7' 11"	7' 11"	6' 11"	6' 11"	6' 11"
350S125-27	33	28.7	12	18' 6"	16' 1"	14' 0"	15' 1"	14' 0"	12' 3"	13' 1"	12' 9"	11' 1"
			16	16' 0"	14' 7"	12' 9"	13' 1"	12' 9"	11' 1"	11' 4"	11' 4"	10' 1"
			24	13' 1"	12' 9"	11' 1"	10' 8"	10' 8"	9' 9"	9' 3"	9' 3"	8' 10"
350S125-30	33	28.6	12	19' 11"	16' 7"	14' 6"	16' 3"	14' 6"	12' 8"	14' 1"	13' 2"	11' 6"
			16	17' 3"	15' 0"	13' 2"	14' 1"	13' 2"	11' 6"	12' 2"	11' 11"	10' 5"
			24	14' 1"	13' 2"	11' 6"	11' 6"	11' 6"	10' 0"	9' 11"	9' 11"	9' 1"
350S125-33	33	28.6	12	21' 5"	17' 1"	14' 11"	17' 6"	14' 11"	13' 1"	15' 2"	13' 7"	11' 10"
			16	18' 7"	15' 7"	13' 7"	15' 2"	13' 7"	11' 10"	13' 2"	12' 4"	10' 9"
			24	15' 2"	13' 7"	11' 10"	12' 5"	11' 10"	10' 4"	10' 9"	10' 9"	9' 5"
350S125-43	33	28.4	12	23' 6"	18' 8"	16' 3"	20' 6"	16' 3"	14' 3"	18' 5"	14' 10"	12' 11"
			16	21' 4"	16' 11"	14' 10"	18' 5"	14' 10"	12' 11"	16' 0"	13' 5"	11' 9"
			24	18' 5"	14' 10"	12' 11"	15' 1"	12' 11"	11' 4"	13' 0"	11' 9"	10' 3"
350S125-54	50	22.9	12	25' 1"	19' 11"	17' 5"	21' 11"	17' 5"	15' 2"	19' 11"	15' 10"	13' 10"
			16	22' 10"	18' 1"	15' 10"	19' 11"	15' 10"	13' 10"	18' 1"	14' 4"	12' 7"
			24	19' 11"	15' 10"	13' 10"	17' 5"	13' 10"	12' 1"	15' 10"	12' 7"	11' 0"
350S125-68	50	22.8	12	26' 10"	21' 4"	18' 7"	23' 5"	18' 7"	16' 3"	21' 4"	16' 11"	14' 9"
			16	24' 5"	19' 4"	16' 11"	21' 4"	16' 11"	14' 9"	19' 4"	15' 4"	13' 5"
			24	21' 4"	16' 11"	14' 9"	18' 7"	14' 9"	12' 11"	16' 11"	13' 5"	11' 9"
362S125-18	33	28.8	12	14' 0"	14' 0"	12' 6"	11' 6"	11' 6"	10' 11"	9' 11"	9' 11"	9' 11"
			16	12' 2"	12' 2"	11' 4"	9' 11"	9' 11"	9' 11"	8' 7"	8' 7"	8' 7"
			24	9' 11"	9' 11"	9' 11"	8' 1"	8' 1"	8' 1"	7' 0"	7' 0"	7' 0"
362S125-27	33	28.6	12	18' 10"	16' 6"	14' 5"	15' 5"	14' 5"	12' 7"	13' 4"	13' 1"	11' 5"
			16	16' 4"	15' 0"	13' 1"	13' 4"	13' 1"	11' 5"	11' 7"	11' 7"	10' 5"
			24	13' 4"	13' 1"	11' 5"	10' 11"	10' 11"	10' 0"	9' 5"	9' 5"	9' 1"
362S125-30	33	28.6	12	20' 3"	17' 0"	14' 10"	16' 7"	14' 10"	13' 0"	14' 4"	13' 6"	11' 10"
			16	17' 7"	15' 6"	13' 6"	14' 4"	13' 6"	11' 10"	12' 5"	12' 3"	10' 9"
			24	14' 4"	13' 6"	11' 10"	11' 8"	11' 8"	10' 4"	10' 4"	10' 2"	9' 4"
362S125-33	33	28.5	12	21' 11"	17' 7"	15' 4"	17' 10"	15' 4"	13' 5"	15' 6"	14' 0"	12' 2"
			16	18' 11"	16' 0"	14' 0"	15' 6"	14' 0"	12' 2"	13' 5"	12' 8"	11' 1"
			24	15' 6"	14' 0"	12' 2"	12' 8"	12' 2"	10' 8"	10' 11"	10' 11"	9' 8"
362S125-43	33	28.4	12	24' 2"	19' 2"	16' 9"	21' 1"	16' 9"	14' 8"	18' 10"	15' 3"	13' 4"
			16	21' 11"	17' 5"	15' 3"	18' 10"	15' 3"	13' 4"	16' 4"	13' 10"	12' 1"
			24	18' 10"	15' 3"	13' 4"	15' 4"	13' 4"	11' 7"	13' 4"	12' 1"	10' 7"

¹ Web height-to-thickness ratio exceeds 200. Web stiffeners are required at all support points and concentrated loads.

"e" web stiffeners required at ends.

Section	Fy (ksi)	Lu (in)	Spacing (in) oc	5 psf			7.5 psf			10 psf		
				L/120	L/240	L/360	L/120	L/240	L/360	L/120	L/240	L/360
362S125-54	50	22.8	12	25' 10"	20' 6"	17' 11"	22' 7"	17' 11"	15' 8"	20' 6"	16' 3"	14' 2"
			16	23' 5"	18' 7"	16' 3"	20' 6"	16' 3"	14' 2"	18' 7"	14' 9"	12' 11"
			24	20' 6"	16' 3"	14' 2"	17' 11"	14' 2"	12' 5"	16' 3"	12' 11"	11' 3"
362S125-68	50	22.7	12	27' 7"	21' 11"	19' 2"	24' 1"	19' 2"	16' 9"	21' 11"	17' 5"	15' 2"
			16	25' 1"	19' 11"	17' 5"	21' 11"	17' 5"	15' 2"	19' 11"	15' 10"	13' 10"
			24	21' 11"	17' 5"	15' 2"	19' 2"	15' 2"	13' 3"	17' 5"	13' 10"	12' 1"
400S125-18 ¹	33	28.7	12	14' 9" ^e	14' 9" ^e	13' 6" ^e	12' 1" ^e	12' 1" ^e	11' 9" ^e	10' 5" ^e	10' 5" ^e	10' 5" ^e
			16	12' 10" ^e	12' 10" ^e	12' 3" ^e	10' 5" ^e	10' 5" ^e	10' 5" ^e	9' 1" ^e	9' 1" ^e	9' 1" ^e
			24	10' 5" ^e	10' 5" ^e	10' 5" ^e	8' 6" ^e	8' 6" ^e	8' 6" ^e	7' 5" ^e	7' 5" ^e	7' 5" ^e
400S125-27	33	28.5	12	19' 11"	17' 10"	15' 7"	16' 3"	15' 7"	13' 7"	14' 1"	14' 1"	12' 4"
			16	17' 3"	16' 2"	14' 2"	14' 1"	14' 1"	12' 4"	12' 2"	12' 2"	11' 3"
			24	14' 1"	14' 1"	12' 4"	11' 6"	11' 6"	10' 9"	9' 11"	9' 11"	9' 10"
400S125-30	33	28.5	12	21' 5"	18' 5"	16' 1"	17' 6"	16' 1"	14' 0"	15' 2"	14' 7"	12' 9"
			16	18' 6"	16' 8"	14' 7"	15' 2"	14' 7"	12' 9"	13' 1"	13' 1"	11' 7"
			24	15' 2"	14' 7"	12' 9"	12' 4"	12' 4"	11' 2"	10' 8"	10' 8"	10' 1"
400S125-33	33	28.4	12	23' 2"	19' 0"	16' 7"	18' 11"	16' 7"	14' 6"	16' 4"	15' 1"	13' 2"
			16	20' 0"	17' 3"	15' 1"	16' 4"	15' 1"	13' 2"	14' 2"	13' 9"	12' 0"
			24	16' 4"	15' 1"	13' 2"	13' 4"	13' 2"	11' 6"	11' 7"	11' 7"	10' 6"
400S125-43	33	28.2	12	26' 1"	20' 9"	18' 1"	22' 10"	18' 1"	15' 10"	19' 11"	16' 5"	14' 4"
			16	23' 9"	18' 10"	16' 5"	19' 11"	16' 5"	14' 4"	17' 3"	14' 11"	13' 1"
			24	19' 11"	16' 5"	14' 4"	16' 3"	14' 4"	12' 7"	14' 1"	13' 1"	11' 5"
400S125-54	50	22.7	12	27' 11"	22' 2"	19' 4"	24' 5"	19' 4"	16' 11"	22' 2"	17' 7"	15' 4"
			16	25' 4"	20' 2"	17' 7"	22' 2"	17' 7"	15' 4"	20' 2"	16' 0"	13' 11"
			24	22' 2"	17' 7"	15' 4"	19' 4"	15' 4"	13' 5"	17' 7"	13' 11"	12' 2"
400S125-68	50	22.5	12	29' 10"	23' 8"	20' 8"	26' 1"	20' 8"	18' 1"	23' 8"	18' 10"	16' 5"
			16	27' 2"	21' 6"	18' 10"	23' 8"	18' 10"	16' 5"	21' 6"	17' 1"	14' 11"
			24	23' 8"	18' 10"	16' 5"	20' 8"	16' 5"	14' 4"	18' 10"	14' 11"	13' 0"
550S125-27 ¹	33	27.9	12	23' 10"	22' 10"	20' 2"	19' 6"	19' 6"	17' 6"	16' 10"	16' 10"	15' 11"
			16	20' 8"	20' 8"	18' 3"	16' 10"	16' 10"	15' 11"	14' 7"	14' 7"	14' 5"
			24	16' 10"	16' 10"	15' 11"	13' 9"	13' 9"	13' 9"	11' 11" ^e	11' 11" ^e	11' 11" ^e
550S125-30	33	27.9	12	25' 8"	23' 9"	20' 10"	21' 0"	20' 8"	18' 2"	18' 2"	16' 6"	16' 6"
			16	22' 3"	21' 6"	18' 11"	18' 2"	18' 2"	16' 6"	15' 9"	15' 9"	14' 11"
			24	18' 2"	18' 2"	16' 6"	14' 10"	14' 10"	14' 4"	12' 10" ^e	12' 10" ^e	12' 10" ^e
550S125-33	33	27.8	12	27' 9"	24' 8"	21' 6"	22' 8"	21' 6"	18' 10"	19' 8"	19' 6"	17' 1"
			16	24' 1"	22' 4"	19' 7"	19' 8"	19' 7"	17' 1"	17' 0"	17' 0"	15' 6"
			24	19' 8"	19' 6"	17' 1"	16' 0"	16' 0"	14' 11"	13' 11"	13' 11"	13' 6"
550S125-43	33	27.6	12	33' 9"	26' 10"	23' 5"	27' 8"	23' 5"	20' 5"	24' 0"	21' 3"	18' 7"
			16	29' 4"	24' 4"	21' 3"	24' 0"	21' 3"	18' 7"	20' 9"	19' 4"	16' 11"
			24	24' 0"	21' 3"	18' 7"	19' 7"	18' 7"	16' 3"	16' 11"	16' 11"	14' 9"
550S125-54	50	22.1	12	36' 2"	28' 9"	25' 1"	31' 7"	25' 1"	21' 11"	28' 9"	22' 9"	19' 11"
			16	32' 10"	26' 1"	22' 9"	28' 9"	22' 9"	19' 11"	26' 1"	20' 8"	18' 1"
			24	28' 9"	22' 9"	19' 11"	25' 1"	19' 11"	17' 5"	22' 9"	18' 1"	15' 10"
550S125-68	50	21.8	12	38' 8"	30' 8"	26' 10"	33' 9"	26' 10"	23' 5"	30' 8"	24' 4"	21' 3"
			16	35' 2"	27' 11"	24' 4"	30' 8"	24' 4"	21' 3"	27' 11"	22' 2"	19' 4"
			24	30' 8"	24' 4"	21' 3"	26' 10"	21' 3"	18' 7"	24' 4"	19' 4"	16' 11"
600S125-27 ¹	33	27.7	12	24' 10" ^e	24' 4" ^e	21' 3" ^e	20' 4" ^e	20' 4" ^e	18' 7" ^e	17' 7" ^e	17' 7" ^e	16' 10" ^e
			16	21' 6" ^e	21' 6" ^e	19' 4" ^e	17' 7" ^e	17' 7" ^e	16' 10" ^e	15' 3" ^e	15' 3" ^e	15' 3" ^e
			24	17' 7" ^e	17' 7" ^e	16' 10" ^e	14' 4" ^e	14' 4" ^e	14' 4" ^e	12' 5" ^e	12' 5" ^e	12' 5" ^e
600S125-30	33	27.6	12	26' 10"	25' 2"	22' 0"	21' 11"	21' 11"	19' 3"	18' 11"	18' 11"	17' 6"
			16	23' 3"	22' 11"	20' 0"	18' 11"	18' 11"	17' 6"	16' 5"	16' 5"	15' 10"
			24	18' 11"	18' 11"	17' 6"	15' 6"	15' 6"	13' 5"	13' 5"	13' 5"	13' 5"
600S125-33	33	27.6	12	29' 0"	26' 2"	22' 10"	23' 8"	22' 10"	19' 11"	20' 6"	20' 6"	18' 1"
			16	25' 2"	23' 9"	20' 9"	20' 6"	20' 6"	18' 1"	17' 9"	17' 9"	16' 6"
			24	20' 6"	20' 6"	18' 1"	16' 9"	16' 9"	15' 10"	14' 6"	14' 6"	14' 5"
600S125-43	33	27.3	12	35' 6"	28' 9"	25' 1"	29' 0"	25' 1"	21' 11"	25' 1"	22' 10"	19' 11"
			16	30' 9"	26' 1"	22' 10"	25' 1"	22' 10"	19' 11"	21' 9"	20' 9"	18' 1"
			24	25' 1"	22' 10"	19' 11"	20' 6"	19' 11"	17' 5"	17' 9"	17' 9"	15' 10"
600S125-54	50	21.9	12	38' 9"	30' 9"	26' 10"	33' 10"	26' 10"	23' 6"	30' 9"	24' 5"	21' 4"
			16	35' 3"	27' 11"	24' 5"	30' 9"	24' 5"	21' 4"	27' 11"	22' 2"	19' 5"
			24	30' 9"	24' 5"	21' 4"	26' 10"	21' 4"	18' 8"	24' 1"	19' 5"	16' 11"
600S125-68	50	21.6	12	41' 7"	33' 0"	28' 10"	36' 4"	28' 10"	25' 2"	33' 0"	26' 2"	22' 10"
			16	37' 9"	30' 0"	26' 2"	33' 0"	26' 2"	22' 10"	30' 0"	23' 9"	20' 9"
			24	33' 0"	26' 2"	22' 10"	28' 10"	22' 10"	20' 0"	26' 2"	20' 9"	18' 2"
800S125-43	33	26.3	12	40' 11"	36' 1"	31' 6"	33' 5"	31' 6"	27' 6"	28' 11"	28' 8"	25' 0"
			16	35' 5"	32' 9"	28' 8"	28' 11"	28' 8"	25' 0"	25' 1"	25' 1"	22' 9"
			24	28' 11"	28' 8"	25' 0"	23' 8"	23' 8"	21' 10"	20' 6"	20' 6"	19' 10"
800S125-54	50	21.1	12	48' 10"	38' 9"	33' 10"	42' 8"	33' 10"	29' 7"	38' 9"	30' 9"	26' 10"
			16	44' 4"	35' 2"	30' 9"	38' 9"	30' 9"	26' 10"	34' 1"	27' 11"	24' 5"
			24	38' 9"	30' 9"	26' 10"	32' 1"	26' 10"	23' 6"	27' 10"	24' 5"	21' 4"
800S125-68	50	20.8	12	52' 10"	41' 11"	36' 8"	46' 2"	36' 8"	32' 0"	41' 11"	33' 4"	29' 1"
			16	48' 0"	38' 1"	33' 4"	41' 11"	33' 4"	29' 1"	38' 1"	30' 3"	26' 5"
			24	41' 11"	33' 4"	29' 1"	36' 8"	29' 1"	25' 5"	33' 3"	26' 5"	23' 1"

¹ Web height-to-thickness ratio exceeds 200. Web stiffeners are required at all support points and concentrated loads.

"e" web stiffeners required at ends.

See Table Notes on page 21.

Interior Wall Limiting Heights - Braced at 48" oc



Table Notes

- Five pounds per square foot (psf), 7.5 psf, and 10 psf loads have **not** been reduced for strength or deflection checks; full lateral load is applied.
- Web crippling check based on 1" end bearing.
- Limiting heights are based on studs braced at maximum spacing of 48" oc . Bracing can be placed at a greater distance if deflection controls (d), maximum brace spacing is listed under Lbr.
- See page 5 for additional table notes.

Section	Fy (ksi)	Lu (in)	Spacing (in) oc	5 psf				7.5 psf				10 psf									
				L/120	Lbr	L/240	Lbr	L/360	Lbr	L/120	Lbr	L/240	Lbr	L/360	Lbr	L/120	Lbr	L/240	Lbr	L/360	Lbr
162S125-18	33	29.0	12	8' 5" f (48)	7' 10" d (59)	6' 11" d (73)	6' 10" f (48)	6' 9" d (50)	6' 0" d (66)	5' 11" f (48)	5' 11" f (48)	5' 5" d (61)	5' 11" f (48)	5' 11" f (48)	5' 5" d (61)	5' 11" f (48)	5' 11" f (48)	5' 5" d (61)	5' 11" f (48)	5' 11" f (48)	5' 5" d (61)
			16	7' 3" f (48)	7' 1" d (53)	6' 3" d (68)	5' 11" f (48)	5' 11" f (48)	5' 5" d (61)	5' 11" f (48)	5' 11" f (48)	5' 5" d (61)	5' 11" f (48)	5' 11" f (48)	5' 5" d (61)	5' 11" f (48)	5' 11" f (48)	5' 5" d (61)	5' 11" f (48)	5' 11" f (48)	5' 5" d (61)
			24	5' 11" f (48)	5' 11" f (48)	5' 5" d (61)	4' 10" f (48)	4' 10" f (48)	4' 8" d (53)	4' 10" f (48)	4' 10" f (48)	4' 8" d (53)	4' 10" f (48)	4' 10" f (48)	4' 8" d (53)	4' 10" f (48)	4' 10" f (48)	4' 8" d (53)	4' 10" f (48)	4' 10" f (48)	4' 8" d (53)
162S125-27	33	29.1	12	11' 1" f (48)	9' 0" d (78)	7' 10" d (92)	9' 0" f (48)	7' 10" d (70)	6' 10" d (84)	7' 10" f (48)	7' 1" d (64)	6' 3" d (79)	7' 3" f (48)	7' 1" d (64)	6' 3" d (79)	7' 10" f (48)	7' 1" d (64)	6' 3" d (79)	7' 3" f (48)	7' 1" d (64)	6' 3" d (79)
			16	9' 7" f (48)	8' 2" d (73)	7' 2" d (87)	7' 10" f (48)	7' 1" d (64)	6' 3" d (79)	7' 10" f (48)	7' 1" d (64)	6' 3" d (79)	7' 10" f (48)	7' 1" d (64)	6' 3" d (79)	7' 10" f (48)	7' 1" d (64)	6' 3" d (79)	7' 10" f (48)	7' 1" d (64)	6' 3" d (79)
			24	7' 10" f (48)	7' 1" d (64)	6' 3" d (79)	6' 5" f (48)	6' 3" d (79)	5' 5" d (73)	6' 5" f (48)	6' 3" d (79)	5' 5" d (73)	6' 5" f (48)	6' 3" d (79)	5' 5" d (73)	6' 5" f (48)	6' 3" d (79)	5' 5" d (73)	6' 5" f (48)	6' 3" d (79)	5' 5" d (73)
162S125-30	33	29.2	12	11' 8" d (51)	9' 3" d (81)	8' 1" d (98)	9' 8" f (48)	8' 1" d (74)	7' 1" d (89)	8' 4" f (48)	8' 1" d (74)	7' 1" d (89)	8' 4" f (48)	8' 1" d (74)	7' 1" d (89)	8' 4" f (48)	8' 1" d (74)	7' 1" d (89)	8' 4" f (48)	8' 1" d (74)	7' 1" d (89)
			16	10' 3" f (48)	8' 5" d (76)	7' 4" d (91)	8' 4" f (48)	7' 4" d (70)	6' 5" d (83)	8' 4" f (48)	7' 4" d (70)	6' 5" d (83)	8' 4" f (48)	7' 4" d (70)	6' 5" d (83)	8' 4" f (48)	7' 4" d (70)	6' 5" d (83)	8' 4" f (48)	7' 4" d (70)	6' 5" d (83)
			24	8' 4" f (48)	7' 4" d (70)	6' 5" d (83)	6' 10" f (48)	6' 5" d (83)	5' 7" d (76)	6' 10" f (48)	6' 5" d (83)	5' 7" d (76)	6' 10" f (48)	6' 5" d (83)	5' 7" d (76)	6' 10" f (48)	6' 5" d (83)	5' 7" d (76)	6' 10" f (48)	6' 5" d (83)	5' 7" d (76)
162S125-33	33	29.2	12	12' 0" d (60)	9' 7" d (85)	8' 4" d (105)	10' 5" f (48)	8' 4" d (78)	7' 4" d (95)	9' 0" f (48)	8' 4" d (78)	7' 4" d (95)	9' 0" f (48)	8' 4" d (78)	7' 4" d (95)	9' 0" f (48)	8' 4" d (78)	7' 4" d (95)	9' 0" f (48)	8' 4" d (78)	7' 4" d (95)
			16	10' 11" d (50)	8' 8" d (80)	7' 7" d (98)	9' 0" f (48)	7' 7" d (73)	6' 8" d (88)	9' 0" f (48)	7' 7" d (73)	6' 8" d (88)	9' 0" f (48)	7' 7" d (73)	6' 8" d (88)	9' 0" f (48)	7' 7" d (73)	6' 8" d (88)	9' 0" f (48)	7' 7" d (73)	6' 8" d (88)
			24	9' 0" f (48)	7' 7" d (73)	6' 8" d (88)	7' 4" f (48)	6' 8" d (66)	5' 10" d (80)	7' 4" f (48)	6' 8" d (66)	5' 10" d (80)	7' 4" f (48)	6' 8" d (66)	5' 10" d (80)	7' 4" f (48)	6' 8" d (66)	5' 10" d (80)	7' 4" f (48)	6' 8" d (66)	5' 10" d (80)
250S125-18	33	29.0	12	11' 6" f (48)	10' 9" d (57)	9' 6" d (69)	9' 5" f (48)	9' 4" d (49)	8' 3" d (64)	8' 2" f (48)	8' 2" f (48)	7' 6" d (59)	8' 2" f (48)	8' 2" f (48)	7' 6" d (59)	8' 2" f (48)	8' 2" f (48)	7' 6" d (59)	8' 2" f (48)	8' 2" f (48)	7' 6" d (59)
			16	10' 0" f (48)	9' 8" d (52)	8' 7" d (65)	8' 2" f (48)	8' 2" f (48)	7' 6" d (59)	8' 2" f (48)	8' 2" f (48)	7' 6" d (59)	8' 2" f (48)	8' 2" f (48)	7' 6" d (59)	8' 2" f (48)	8' 2" f (48)	7' 6" d (59)	8' 2" f (48)	8' 2" f (48)	7' 6" d (59)
			24	8' 2" f (48)	8' 2" f (48)	7' 6" d (59)	6' 8" f (48)	6' 8" f (48)	6' 6" d (52)	6' 8" f (48)	6' 8" f (48)	6' 6" d (52)	6' 8" f (48)	6' 8" f (48)	6' 6" d (52)	6' 8" f (48)	6' 8" f (48)	6' 6" d (52)	6' 8" f (48)	6' 8" f (48)	6' 6" d (52)
250S125-27	33	28.9	12	14' 10" f (48)	12' 5" d (70)	10' 10" d (81)	12' 1" f (48)	10' 10" d (63)	9' 6" d (75)	10' 6" f (48)	9' 10" d (57)	8' 7" d (72)	9' 1" f (48)	8' 11" d (50)	7' 10" d (67)	11' 2" f (48)	9' 10" d (57)	8' 7" d (72)	9' 1" f (48)	8' 11" d (50)	7' 10" d (67)
			16	12' 10" f (48)	11' 3" d (65)	9' 11" d (77)	10' 6" f (48)	9' 10" d (57)	8' 7" d (72)	10' 6" f (48)	9' 10" d (57)	8' 7" d (72)	9' 1" f (48)	8' 11" d (50)	7' 10" d (67)	11' 2" f (48)	9' 10" d (57)	8' 7" d (72)	9' 1" f (48)	8' 11" d (50)	7' 10" d (67)
			24	10' 6" f (48)	9' 10" d (57)	8' 7" d (72)	8' 7" f (48)	8' 7" f (48)	7' 6" d (65)	8' 7" f (48)	8' 7" f (48)	7' 6" d (65)	8' 7" f (48)	8' 7" f (48)	7' 6" d (65)	8' 7" f (48)	8' 7" f (48)	7' 6" d (65)	8' 7" f (48)	8' 7" f (48)	7' 6" d (65)
250S125-30	33	28.9	12	15' 9" f (48)	12' 10" d (72)	11' 3" d (84)	12' 11" f (48)	11' 2" d (67)	9' 10" d (73)	11' 2" f (48)	11' 2" d (67)	10' 1" d (81)	11' 2" f (48)	11' 2" d (67)	10' 1" d (81)	11' 2" f (48)	11' 2" d (67)	10' 1" d (81)	11' 2" f (48)	11' 2" d (67)	10' 1" d (81)
			16	13' 8" f (48)	11' 8" d (68)	10' 2" d (79)	11' 2" f (48)	10' 2" d (62)	8' 11" d (78)	11' 2" f (48)	10' 2" d (62)	8' 11" d (78)	9' 8" f (48)	9' 3" d (55)	8' 1" d (63)	9' 8" f (48)	9' 3" d (55)	8' 1" d (63)	9' 8" f (48)	9' 3" d (55)	8' 1" d (63)
			24	11' 2" f (48)	10' 2" d (62)	8' 11" d (73)	9' 1" f (48)	8' 10" d (52)	7' 9" d (68)	9' 1" f (48)	8' 10" d (52)	7' 9" d (68)	7' 11" f (48)	7' 11" f (48)	7' 1" d (64)	7' 11" f (48)	7' 11" f (48)	7' 1" d (64)	7' 11" f (48)	7' 11" f (48)	7' 1" d (64)
250S125-33	33	28.9	12	16' 8" d (50)	13' 3" d (74)	11' 7" d (88)	13' 9" f (48)	11' 7" d (68)	10' 1" d (81)	11' 11" f (48)	11' 7" d (68)	10' 1" d (81)	11' 11" f (48)	11' 7" d (68)	10' 1" d (81)	11' 11" f (48)	11' 7" d (68)	10' 1" d (81)	11' 11" f (48)	11' 7" d (68)	10' 1" d (81)
			16	14' 7" f (48)	12' 1" d (70)	10' 6" d (82)	11' 11" f (48)	10' 6" d (65)	9' 2" d (76)	11' 11" f (48)	10' 6" d (65)	9' 2" d (76)	10' 4" f (48)	9' 6" d (60)	8' 4" d (72)	10' 4" f (48)	9' 6" d (60)	8' 4" d (72)	10' 4" f (48)	9' 6" d (60)	8' 4" d (72)
			24	11' 11" f (48)	10' 6" d (65)	9' 2" d (76)	9' 9" f (48)	9' 2" d (58)	8' 0" d (70)	9' 9" f (48)	9' 2" d (58)	8' 0" d (70)	8' 5" f (48)	8' 4" d (60)	7' 4" d (66)	8' 5" f (48)	8' 4" d (60)	7' 4" d (66)	8' 5" f (48)	8' 4" d (60)	7' 4" d (66)
250S125-43	33	28.9	12	18' 2" d (59)	14' 5" d (83)	12' 7" d (99)	15' 10" d (50)	12' 7" d (76)	11' 0" d (91)	13' 11" f (48)	11' 5" d (71)	10' 0" d (85)	12' 1" f (48)	11' 5" d (71)	10' 0" d (85)	13' 11" f (48)	11' 5" d (71)	10' 0" d (85)	12' 1" f (48)	11' 5" d (71)	10' 0" d (85)
			16	16' 6" d (53)	13' 1" d (78)	11' 5" d (93)	13' 11" f (48)	11' 5" d (71)	10' 0" d (85)	13' 11" f (48)	11' 5" d (71)	10' 0" d (85)	12' 1" f (48)	11' 5" d (71)	10' 0" d (85)	12' 1" f (48)	11' 5" d (71)	10' 0" d (85)	12' 1" f (48)	11' 5" d (71)	10' 0" d (85)
			24	13' 11" f (48)	11' 5" d (71)	10' 0" d (85)	11' 4" f (48)	10' 0" d (64)	8' 9" d (78)	11' 4" f (48)	10' 0" d (64)	8' 9" d (78)	9' 10" f (48)	9' 1" d (59)	7' 11" d (73)	9' 10" f (48)	9' 1" d (59)	7' 11" d (73)	9' 10" f (48)	9' 1" d (59)	7' 11" d (73)
350S125-18	33	28.8	12	12' 10" f (48)	12' 10" f (48)	12' 3" d (55)	10' 6" f (48)	10' 6" f (48)	10' 6" f (48)	9' 1" f (48)	9' 1" f (48)	9' 1" f (48)	7' 10" e f (48)	7' 10" e f (48)	7' 10" e f (48)	9' 1" f (48)	9' 1" f (48)	9' 1" f (48)	7' 10" e f (48)	7' 10" e f (48)	7' 10" e f (48)
			16	11' 1" f (48)	11' 1" f (48)	11' 1" d (48)	9' 1" f (48)	9' 1" f (48)	9' 1" f (48)	7' 5" e f (48)	7' 5" e f (48)	7' 5" e f (48)	6' 5" e f (48)	6' 5" e f (48)	6' 5" e f (48)	7' 5" e f (48)	7' 5" e f (48)	7' 5" e f (48)	6' 5" e f (48)	6' 5" e f (48)	6' 5" e f (48)
			24	9' 1" f (48)	9' 1" f (48)	9' 1" f (48)	7' 5" e f (48)	7' 5" e f (48)	7' 5" e f (48)	6' 5" e f (48)	6' 5" e f (48)	6' 5" e f (48)	6' 5" e f (48)	6' 5" e f (48)	6' 5" e f (48)	6' 5" e f (48)	6' 5" e f (48)	6' 5" e f (48)	6' 5" e f (48)	6' 5" e f (48)	6' 5" e f (48)
350S125-27	33	28.7	12	17' 3" f (48)	16' 1" d (59)	14' 1" d (73)	14' 1" f (48)	14' 0" d (48)	12' 3" d (67)	12' 2" f (48)	12' 2" f (48)	12' 2" d (62)	12' 2" f (48)	12' 2" f (48)	12' 2" d (62)	12' 2" f (48)	12' 2" f (48)	12' 2" d (62)	12' 2" f (48)	12' 2" f (48)	12' 2" d (62)
			16	14' 11" f (48)	14' 7" d (52)	12' 10" d (69)	12' 2" f (48)	12' 2" f (48)	12' 2" d (62)	12' 2" f (48)	12' 2" f (48)	12' 2" d (62)	12' 2" f (48)	12' 2" f (48)	12' 2" d (62)	12' 2" f (48)	12' 2" f (48)	12' 2" d (62)	12' 2" f (48)	12' 2" f (48)	12' 2" d (62)
			24	12' 2" f (48)	12' 2" f (48)	11' 2" d (62)	9' 11" f (48)	9' 11" f (48)	9' 9" d (52)	9' 11" f (48)	9' 11" f (48)	9' 9" d (52)	8' 7" f (48)	8' 7" f (48)	8' 7" f (48)	8' 7" f (48)	8' 7" f (48)	8' 7" f (48)	8' 7" f (48)	8' 7" f (48)	8' 7" f (48)
350S125-30	33	28.6	12	18' 6" f (48)	16' 7" d (64)	14' 6" d (75)	15' 2" f (48)	14' 6" d (55)	12' 8" d (69)	13' 1" f (48)	13' 1" f (48)	13' 1" d (67)	13' 1" f (48)	13' 1" f (48)	13' 1" d (67)	13' 1" f (48)	13' 1" f (48)	13' 1" d (67)	13' 1" f (48)	13' 1" f (48)	13' 1" d (67)
			16	16' 1" f (48)	15' 1" d (58)	13' 2" d (71)	13' 1" f (48)	13' 1" f (48)	11' 6" d (65)	13' 1" f (48)	13' 1" f (48)	11' 6" d (65)	11' 4" f (48)	11' 4" f (48)	11' 4" d (61)	11' 4" f (48)	11' 4" f (48)	11' 4" d (61)	11' 4" f (48)	11' 4" f (48)	11' 4" d (61)
			24	13' 1" f (48)	13' 1" f (48)	11' 6" d (65)	10' 8" f (48)	10' 8" f (48)	10' 1" d (58)	10' 8" f (48)	10' 8" f (48)	10' 1" d (58)	9' 3" f (48)	9' 3" f (48)	9' 1" d (51)	9' 3" f (48)	9' 3" f (48)	9' 1" d (51)	9' 3" f (48)	9' 3" f (48)	9' 1" d (51)
350S125-33	33	28.6	12	20' 0" f (48)	17' 2" d (66)	15' 0" d (78)	16' 4" f (48)	15' 0" d (60)	13' 1" d (71)	14' 2" f (48)	13' 7" d (55)	11' 11" d (67)	12' 3" f (48)	12' 3" f (48)	12' 3" d (64)	10' 0" f (48)	10' 0" f (48)	9' 5" d (57)	10' 0" f (48)	10' 0" f (48)	9' 5" d (57)
			16	17' 4" f (48)	15' 7" d (62)	13' 8" d (73)	14' 2" f (48)	13' 7" d (55)	11' 11" d (67)	14' 2" f (48)	13' 7" d (55)	11' 11" d (67)	12' 3" f (48)	12' 3" f (48)	12' 3" d (64)	10' 0" f (48)	10' 0" f (48)	9' 5" d (57)	10' 0" f (48)	10'	

Interior Wall Limiting Heights - Braced at 48" oc

Section	F _y (ksi)	L _w (in)	Spacing (in) oc	5 psf				7.5 psf				10 psf			
				L/120	Lbr	L/240	Lbr	L/360	Lbr	L/120	Lbr	L/240	Lbr	L/360	Lbr
362S125-68	50	22.7	12	27' 7" d (63)	21' 11" d (86)	19' 2" d (104)	24' 1" d (58)	19' 2" d (78)	16' 9" d (94)	21' 11" d (55)	17' 5" d (73)	15' 2" d (88)	19' 11" d (52)	15' 10" d (69)	13' 10" d (82)
			16	25' 1" d (60)	19' 11" d (80)	17' 5" d (97)	21' 11" d (55)	17' 5" d (73)	15' 2" d (88)	19' 11" d (52)	15' 10" d (69)	13' 10" d (82)			
			24	21' 11" d (55)	17' 5" d (73)	15' 2" d (88)	19' 2" d (50)	15' 2" d (67)	13' 3" d (80)	17' 0" f (48)	13' 10" d (63)	12' 1" d (75)			
400S125-18	33	28.7	12	13' 9" e f (48)	13' 9" e f (48)	13' 7" e d (49)	11' 3" e f (48)	11' 3" e f (48)	11' 3" e f (48)	9' 9" e f (48)	9' 9" e f (48)	9' 9" e f (48)	8' 5" e f (48)	8' 5" e f (48)	8' 5" e f (48)
			16	11' 11" e f (48)	11' 11" e f (48)	11' 11" e f (48)	9' 9" e f (48)	9' 9" e f (48)	9' 9" e f (48)	8' 5" e f (48)	8' 5" e f (48)	8' 5" e f (48)			
			24	9' 9" e f (48)	9' 9" e f (48)	9' 9" e f (48)	7' 11" e f (48)	7' 11" e f (48)	7' 11" e f (48)	6' 10" e f (48)	6' 10" e f (48)	6' 10" e f (48)			
400S125-27	33	28.5	12	18' 6" f (48)	17' 10" d (54)	15' 8" d (69)	15' 2" f (48)	15' 2" f (48)	13' 8" d (63)	13' 1" f (48)	13' 1" f (48)	13' 1" f (48)	11' 4" f (48)	11' 4" f (48)	11' 3" d (50)
			16	16' 1" f (48)	16' 1" f (48)	14' 2" d (65)	13' 1" f (48)	13' 1" f (48)	12' 4" d (57)	11' 4" f (48)	11' 4" f (48)	11' 3" d (50)			
			24	13' 1" f (48)	13' 1" f (48)	12' 4" d (57)	10' 8" f (48)	10' 8" f (48)	10' 8" f (48)	9' 3" f (48)	9' 3" f (48)	9' 3" f (48)			
400S125-30	33	28.5	12	19' 11" f (48)	18' 5" d (60)	16' 2" d (72)	16' 3" f (48)	16' 1" d (50)	14' 1" d (66)	14' 1" f (48)	14' 1" f (48)	12' 10" d (62)	12' 3" f (48)	12' 3" f (48)	11' 7" d (56)
			16	17' 3" f (48)	16' 9" d (53)	14' 8" d (68)	14' 1" f (48)	14' 1" f (48)	12' 10" d (62)	12' 3" f (48)	12' 3" f (48)	11' 7" d (56)			
			24	14' 1" f (48)	14' 1" f (48)	12' 10" d (62)	11' 6" f (48)	11' 6" f (48)	11' 2" d (53)	10' 0" f (48)	10' 0" f (48)	10' 0" f (48)			
400S125-33	33	28.4	12	21' 7" f (48)	19' 1" d (63)	16' 8" d (74)	17' 7" f (48)	16' 8" d (57)	14' 7" d (68)	15' 3" f (48)	15' 1" d (49)	13' 3" d (65)	13' 2" f (48)	13' 2" f (48)	12' 0" d (61)
			16	18' 8" f (48)	17' 4" d (59)	15' 2" d (70)	15' 3" f (48)	15' 1" d (49)	13' 3" d (65)	13' 2" f (48)	13' 2" f (48)	12' 0" d (61)			
			24	15' 3" f (48)	15' 1" d (49)	13' 3" d (65)	12' 5" f (48)	12' 5" f (48)	11' 7" d (59)	10' 9" f (48)	10' 9" f (48)	10' 6" d (53)			
400S125-43	33	28.2	12	25' 6" f (48)	20' 9" d (70)	18' 2" d (82)	20' 10" f (48)	18' 2" d (63)	15' 10" d (75)	18' 1" f (48)	16' 6" d (59)	14' 5" d (71)	15' 8" f (48)	15' 0" d (54)	13' 1" d (67)
			16	22' 1" f (48)	18' 10" d (65)	16' 6" d (77)	18' 1" f (48)	16' 6" d (59)	14' 5" d (71)	15' 8" f (48)	15' 0" d (54)	13' 1" d (67)			
			24	18' 1" f (48)	16' 6" d (59)	14' 5" d (71)	14' 9" f (48)	14' 5" d (51)	12' 7" d (65)	12' 9" f (48)	12' 9" f (48)	11' 5" d (61)			
400S125-54	50	22.7	12	28' 0" d (57)	22' 2" d (75)	19' 5" d (89)	24' 5" d (52)	19' 5" d (69)	16' 11" d (82)	22' 2" d (49)	17' 8" d (65)	15' 5" d (77)	19' 5" f (48)	16' 0" d (62)	14' 0" d (73)
			16	25' 5" d (53)	20' 2" d (71)	17' 8" d (84)	22' 2" d (49)	17' 8" d (65)	15' 5" d (77)	19' 5" f (48)	16' 0" d (62)	14' 0" d (73)			
			24	22' 2" d (49)	17' 8" d (65)	15' 5" d (77)	18' 4" f (48)	15' 5" d (60)	13' 5" d (71)	15' 10" f (48)	14' 0" d (57)	12' 3" d (67)			
400S125-68	50	22.5	12	29' 10" d (61)	23' 8" d (82)	20' 8" d (98)	26' 1" d (56)	20' 8" d (75)	18' 1" d (90)	23' 8" d (53)	18' 10" d (71)	16' 5" d (84)	23' 8" d (53)	18' 10" d (71)	16' 5" d (84)
			16	27' 2" d (58)	21' 6" d (77)	18' 10" d (92)	23' 8" d (53)	18' 10" d (71)	16' 5" d (84)	21' 6" d (50)	17' 1" d (66)	14' 11" d (79)			
			24	23' 8" d (53)	18' 10" d (71)	16' 5" d (84)	20' 8" d (48)	16' 5" d (65)	14' 4" d (77)	18' 0" f (48)	14' 11" d (61)	13' 0" d (72)			
550S125-27	33	27.9	12	23' 7" f (48)	22' 10" d (53)	20' 2" d (67)	19' 3" f (48)	19' 3" f (48)	17' 6" d (61)	16' 8" f (48)	16' 8" f (48)	15' 11" d (55)	14' 5" f (48)	14' 5" f (48)	14' 5" d (48)
			16	20' 5" f (48)	20' 5" f (48)	18' 3" d (63)	16' 8" f (48)	16' 8" f (48)	15' 11" d (55)	14' 5" f (48)	14' 5" f (48)	14' 5" d (48)			
			24	16' 8" f (48)	16' 8" f (48)	15' 11" d (55)	13' 7" f (48)	13' 7" f (48)	13' 7" f (48)	11' 9" e f (48)	11' 9" e f (48)	11' 9" e f (48)			
550S125-30	33	27.9	12	25' 5" f (48)	23' 9" d (58)	20' 10" d (69)	20' 9" f (48)	20' 8" d (48)	18' 2" d (64)	18' 0" f (48)	18' 0" f (48)	16' 6" d (60)	15' 7" f (48)	15' 7" f (48)	14' 11" d (54)
			16	22' 0" f (48)	21' 6" d (52)	18' 11" d (65)	18' 0" f (48)	18' 0" f (48)	16' 6" d (60)	15' 7" f (48)	15' 7" f (48)	14' 11" d (54)			
			24	18' 0" f (48)	18' 0" f (48)	16' 6" d (60)	14' 8" f (48)	14' 8" f (48)	14' 4" d (52)	12' 8" e f (48)	12' 8" e f (48)	12' 8" e f (48)			
550S125-33	33	27.8	12	27' 6" f (48)	24' 8" d (61)	21' 6" d (72)	22' 5" f (48)	21' 6" d (55)	18' 10" d (66)	19' 5" f (48)	19' 5" f (48)	17' 1" d (62)	16' 10" f (48)	16' 10" f (48)	15' 6" d (58)
			16	23' 10" f (48)	22' 4" d (57)	19' 7" d (68)	19' 5" f (48)	19' 5" f (48)	17' 1" d (62)	16' 10" f (48)	16' 10" f (48)	15' 6" d (58)			
			24	19' 5" f (48)	19' 5" f (48)	17' 1" d (62)	15' 10" f (48)	15' 10" f (48)	14' 11" d (57)	13' 9" f (48)	13' 9" f (48)	13' 6" d (51)			
550S125-43	33	27.6	12	32' 7" f (48)	26' 10" d (66)	23' 5" d (76)	26' 8" f (48)	23' 5" d (61)	20' 5" d (71)	23' 1" f (48)	21' 3" d (57)	18' 7" d (67)	20' 0" f (48)	19' 4" d (52)	16' 11" d (64)
			16	28' 3" f (48)	24' 4" d (62)	21' 3" d (72)	23' 1" f (48)	21' 3" d (57)	18' 7" d (67)	20' 0" f (48)	19' 4" d (52)	16' 11" d (64)			
			24	23' 1" f (48)	21' 3" d (57)	18' 7" d (67)	18' 10" f (48)	18' 7" d (50)	16' 3" d (62)	16' 4" f (48)	16' 4" f (48)	14' 9" d (59)			
550S125-54	50	22.1	12	36' 2" d (53)	28' 9" d (69)	25' 1" d (80)	31' 7" d (50)	25' 1" d (64)	21' 11" d (74)	28' 2" f (48)	22' 9" d (61)	19' 11" d (71)	24' 4" f (48)	20' 8" d (58)	18' 1" d (67)
			16	32' 10" d (51)	26' 1" d (65)	22' 9" d (76)	28' 2" f (48)	22' 9" d (61)	19' 11" d (71)	24' 4" f (48)	20' 8" d (58)	18' 1" d (67)			
			24	28' 2" f (48)	22' 9" d (61)	19' 11" d (71)	23' 0" f (48)	19' 11" d (57)	17' 5" d (65)	19' 11" f (48)	18' 1" d (53)	15' 10" d (62)			
550S125-68	50	21.8	12	38' 8" d (55.8)	30' 8" d (73)	26' 10" d (86)	33' 9" d (52)	26' 10" d (67)	23' 5" d (79)	30' 8" d (49)	24' 4" d (64)	21' 3" d (74)	27' 1" f (48)	22' 2" d (60)	19' 4" d (70)
			16	35' 2" d (53.0)	27' 11" d (69)	24' 4" d (81)	30' 8" d (49)	24' 4" d (64)	21' 3" d (74)	27' 1" f (48)	22' 2" d (60)	19' 4" d (70)			
			24	30' 8" d (49.0)	24' 4" d (64)	21' 3" d (74)	25' 7" f (48)	21' 3" d (59)	18' 7" d (69)	22' 2" f (48)	19' 4" d (56)	16' 11" d (65)			
600S125-27	33	27.7	12	24' 8" e f (48)	24' 5" e d (49)	21' 6" e d (65)	20' 2" e f (48)	20' 2" e f (48)	18' 9" e d (58)	17' 6" e f (48)	17' 6" e f (48)	17' 0" e d (52)	15' 1" e f (48)	15' 1" e f (48)	15' 1" e f (48)
			16	21' 5" e f (48)	21' 5" e d (48)	19' 6" e d (60)	17' 6" e f (48)	17' 6" e f (48)	17' 0" e d (52)	15' 1" e f (48)	15' 1" e f (48)	15' 1" e f (48)			
			24	17' 6" e f (48)	17' 6" e f (48)	17' 0" e d (52)	14' 3" e f (48)	14' 3" e f (48)	14' 3" e f (48)	12' 4" e f (48)	12' 4" e f (48)	12' 4" e f (48)			
600S125-30	33	27.6	12	26' 7" f (48)	25' 4" d (55)	22' 4" d (67)	21' 9" f (48)	21' 9" f (48)	19' 6" d (62)	18' 10" f (48)	18' 10" f (48)	17' 7" d (57)	16' 4" f (48)	16' 4" f (48)	15' 11" d (51)
			16	23' 1" f (48)	23' 0" d (48)	20' 3" d (63)	18' 10" f (48)	18' 10" f (48)	17' 7" d (57)	16' 4" f (48)	16' 4" f (48)	15' 11" d (51)			
			24	18' 10" f (48)	18' 10" f (48)	17' 7" d (57)	15' 4" f (48)	15' 4" f (48)	15' 4" d (48)	13' 4" e f (48)	13' 4" e f (48)	13' 4" e f (48)			
600S125-33	33	27.6	12	28' 10" f (48)	26' 5" d (59)	23' 1" d (69)	23' 6" f (48)	23' 0" d (52)	20' 2" d (64)	20' 5" f (48)	20' 5" f (48)	18' 4" d (60)	17' 8" f (48)	17' 8" f (48)	16' 7" d (56)
			16	25' 0" f (48)	23' 11" d (54)	21' 0" d (65)	20' 5" f (48)	20' 5" f (48)	18' 4" d (60)	17' 8" f (48)	17' 8" f (48)	16' 7" d (56)			
			24	20' 5" f (48)	20' 5" f (48)	18' 4" d (60)	16' 8" f (48)	16' 8" f (48)	15' 11" d (54)	14' 5" f (48)	14' 5" f (48)	14' 5" f (48)			
600S125-43	33	27.3	12	34' 3" f (48)	28' 9" d (65)	25' 2" d (75)	28' 0" f (48)	25' 2" d (59)	21' 11" d (69)	24' 3" f (48)	22' 10" d (55)	19' 11" d (66)	21' 0" f (48)	20' 9" d (49)	18' 2" d (62)
			16	29' 8" f (48)	26' 2" d (61)	22' 10" d (71)	24' 3" f (48)	22' 10" d (55)	19' 11" d (66)	21' 0" f (48)	20' 9" d (49)	18' 2" d (62)			
			24	24' 3" f (48)	22' 10" d (55)	19' 11" d (66)	19' 9" f (48)	19' 9" f (48)	17' 5" d (61)	17' 2" f (48)	17' 2" f (48)	15' 10" d (57)			
600S125-54	50	21.9	12	38' 10" d (52)	30' 10" d (67)	26' 11" d (78)	33' 11" d (49)	26' 11" d (63)	23' 6" d (73)	29' 8" f (48)	24' 6" d (59)	21' 5" d (69)	25' 8" f (48)	22' 3" d (56)	19' 5" d (65)
			16	35' 4" d (50)	28' 0" d (64)	24' 6" d (74)	29' 8" f (48)	24' 6" d (59)	21' 5" d (69)	25' 8" f (48)	22' 3" d (56)	19' 5" d (65)			
			24	29' 8" f (48)	24' 6" d (59)	21' 5" d (69)	24' 3" f (48)	21' 5" d (55)	18' 8" d (64)	21' 0" f (48)	19' 5" d (52)	17' 0" d (61)			
600S125-68	50	21.6	12	41' 7" d (54.4)	33' 0" d (71)	28' 10" d (83)	36' 4" d (51)	28' 10" d (65)	25' 2" d (76)	33' 0" d (48)	26' 2" d (62)	22' 10" d (72)	28' 7" f (48)	23' 9" d (59)	20' 9" d (68)
			16	37' 9" d (51.6)	30' 0" d (67)	26' 2" d (78)	33' 0" d (48)	26' 2" d (62)	22' 10" d (72)	28' 7" f (48)	23' 9" d (59)	20' 9" d (68)			
			24	33' 0" d (47.9)	26' 2" d (62)	22' 10" d (72)	26' 11" f (48)	22' 10" d (57)	20' 0" d (67)	23' 4" f (48)	20' 9" d (55)	18' 2" d (63)			
800S125-43	33	26.3	12	40' 0" f (48)	36' 6" d (57)	31' 11" d (68)	32' 8" f (48)	31' 10" d (51)	27' 11" d (63)	28' 4" f (48)	28' 4" f (48)	25' 4" d (59)	24' 6" f (48)	24' 6" f (48)	23' 0" d (48)
			16	34' 8" f (48)	33' 1" d (53)	29' 0" d (64)	28' 4" f (48)	28' 4" f (48)	25' 4" d (59)	24' 6" f (48)	24' 6" f (48)	23' 0" d (48)			
			24	28' 4" f (48)	28' 4" f (48)	25' 4" d (59)	23' 1" f (48)	23' 1" f (48)	22' 1" d (53)	20' 0" f (48)	20' 0" f (48)				

Curtain Wall Limiting Heights - Single Span



Table Notes

- Listed span for "Double Span" tables is the distance from either end to the center of interior support, with the stud continuous past the interior support.
- Listed wind pressures represent calculated designed wind pressure (1.0 W based on 2009 or 0.6 W based on 2012 IBC). For deflection calculations, listed wind pressures have been reduced by 0.70 as allowed by IBC. The 5 psf pressure has not been reduced for deflection checks.
- Studs must be braced against rotation and lateral movement at all supports. See typical bracing details on page 61.
- Studs are assumed to be adequately braced at a maximum spacing of L_u to develop full allowable moment.
- Web crippling check is based on 1" of bearing at end supports and 3" of bearing at interior support.
- Shear and web crippling capacity at end supports have **not** been reduced for punchouts. Shear and web crippling capacity at interior support have been reduced for the presence of punchout adjacent to the support.
- Combined bending and shear check at interior support is based on unreinforced web per AISI S100 (Eq. C3.3.1-1). Shear capacity and combined bending and shear check at interior support have been reduced for the presence of punchouts adjacent to support.
- See page 5 for additional table notes.

Section	F _y (ksi)	Spacing (in) oc	5 psf			15 psf			20 psf			25 psf			30 psf			35 psf			40 psf			50 psf		
			L/120	L/240	L/360	L/240	L/360	L/600	L/240	L/360	L/600	L/240	L/360	L/600	L/240	L/360	L/600	L/240	L/360	L/600	L/240	L/360	L/600	L/240	L/360	L/600
350S162-33	33	12	23' 9"	18' 10"	16' 5"	14' 8"	12' 10"	10' 10"	13' 0"	11' 8"	9' 10"	11' 8"	10' 10"	9' 2"	10' 8"	10' 2"	8' 7"	9' 10" ^e	9' 8" ^e	8' 2"	9' 2" ^e	9' 2" ^e	7' 10"	8' 3" ^e	8' 3" ^e	7' 3"
		16	21' 7"	17' 1"	14' 11"	13' 0"	11' 8"	9' 10"	11' 3"	10' 7"	8' 11"	10' 1" ^e	9' 10"	8' 4"	9' 2" ^e	9' 2" ^e	7' 10"	8' 6" ^e	8' 6" ^e	7' 5" ^e	8' 0" ^e	8' 0" ^e	7' 1" ^e	7' 2" ^e	7' 2" ^e	6' 7" ^e
		24	18' 5"	14' 11"	13' 1"	10' 8"	10' 2"	8' 7"	9' 2" ^e	9' 2" ^e	7' 10"	8' 3" ^e	8' 3" ^e	7' 3" ^e	7' 6" ^e	7' 6" ^e	6' 10" ^e	7' 0" ^e	7' 0" ^e	6' 6" ^e	6' 6" ^e	6' 6" ^e	6' 2" ^e	5' 10" ^e	5' 10" ^e	5' 9" ^e
350S162-43	33	12	25' 10"	20' 6"	17' 11"	16' 0"	14' 0"	11' 9"	14' 6"	12' 8"	10' 8"	13' 6"	11' 9"	9' 11"	12' 6"	11' 1"	9' 4"	11' 7"	10' 6"	8' 1"	10' 10"	10' 1"	8' 6"	9' 8"	9' 4"	7' 11"
		16	23' 5"	18' 7"	16' 3"	14' 6"	12' 8"	10' 8"	13' 2"	11' 6"	9' 9"	11' 10"	10' 8"	9' 0"	10' 10"	10' 1"	8' 6"	10' 0"	9' 7"	8' 1"	9' 5"	9' 2"	7' 9"	8' 5" ^e	8' 5" ^e	7' 2"
		24	20' 6"	16' 3"	14' 2"	12' 6"	11' 1"	9' 4"	10' 10"	10' 1"	8' 6"	9' 8"	9' 4"	7' 11"	8' 10"	8' 10"	7' 5"	8' 2" ^e	8' 2" ^e	7' 1"	7' 8" ^e	7' 8" ^e	6' 9"	6' 10" ^e	6' 10" ^e	6' 3" ^e
350S162-54	50	12	27' 8"	21' 11"	19' 2"	17' 1"	15' 0"	12' 7"	15' 7"	13' 7"	11' 6"	14' 5"	12' 7"	10' 8"	13' 7"	11' 10"	10' 0"	12' 11"	11' 3"	9' 6"	12' 4"	10' 9"	9' 1"	11' 6"	10' 0"	8' 5"
		16	25' 1"	19' 11"	17' 5"	15' 7"	13' 7"	11' 6"	14' 2"	12' 4"	10' 5"	13' 1"	11' 6"	9' 8"	12' 4"	10' 9"	9' 8"	11' 9"	10' 3"	8' 8"	11' 3"	9' 10"	8' 3"	10' 5"	9' 1"	7' 8"
		24	21' 11"	17' 5"	15' 2"	13' 7"	11' 10"	10' 0"	12' 4"	10' 9"	9' 1"	11' 6"	10' 0"	8' 5"	10' 9"	9' 5"	7' 11"	10' 3"	8' 11"	7' 7"	9' 10"	8' 7"	7' 3"	9' 1"	7' 11"	6' 8"
350S162-68	50	12	29' 7"	23' 5"	20' 6"	18' 4"	16' 0"	13' 6"	16' 8"	14' 6"	12' 3"	15' 5"	13' 6"	11' 5"	14' 6"	12' 8"	10' 9"	13' 10"	12' 1"	10' 2"	13' 3"	11' 6"	9' 9"	12' 3"	10' 9"	9' 0"
		16	26' 10"	21' 4"	18' 7"	16' 8"	14' 6"	12' 3"	15' 1"	13' 3"	11' 2"	14' 0"	12' 3"	10' 4"	13' 3"	11' 6"	9' 9"	12' 7"	11' 0"	9' 3"	12' 0"	10' 6"	8' 10"	11' 2"	9' 9"	8' 3"
		24	23' 5"	18' 7"	16' 3"	14' 6"	12' 8"	10' 9"	13' 3"	11' 6"	9' 9"	12' 3"	10' 9"	9' 0"	11' 6"	10' 1"	8' 6"	11' 0"	9' 7"	8' 1"	10' 6"	9' 2"	7' 9"	9' 9"	8' 6"	7' 2"
362S137-33	33	12	23' 3"	18' 5"	16' 1"	14' 3"	12' 7"	10' 7"	12' 4"	11' 5"	9' 8"	11' 1"	10' 7"	8' 11"	10' 1"	10' 0"	8' 5"	9' 4"	9' 4"	8' 0"	8' 9" ^e	8' 9" ^e	7' 8"	7' 10" ^e	7' 10" ^e	7' 1" ^e
		16	21' 1"	16' 9"	14' 8"	12' 4"	11' 5"	9' 8"	10' 9"	10' 5"	8' 9"	9' 7"	9' 7"	8' 2"	8' 9" ^e	8' 9" ^e	7' 8"	8' 1" ^e	8' 1" ^e	7' 3" ^e	7' 7" ^e	7' 7" ^e	6' 11" ^e	6' 9" ^e	6' 9" ^e	6' 5" ^e
		24	17' 6"	14' 8"	12' 10"	10' 1"	10' 0"	8' 5"	8' 9" ^e	8' 9" ^e	7' 8"	7' 10" ^e	7' 10" ^e	7' 1" ^e	7' 2" ^e	7' 2" ^e	6' 8" ^e	6' 7" ^e	6' 7" ^e	6' 4" ^e	6' 2" ^e	6' 2" ^e	6' 1" ^e	5' 6" ^e	5' 6" ^e	5' 6" ^e
362S162-33	33	12	24' 4"	19' 4"	16' 11"	15' 1"	13' 2"	11' 1"	13' 3"	12' 0"	10' 1"	11' 11"	11' 1"	9' 5"	10' 10"	10' 6"	8' 10"	10' 0" ^e	9' 11" ^e	8' 5"	9' 5" ^e	9' 5" ^e	8' 0"	8' 5" ^e	8' 5" ^e	7' 5" ^e
		16	22' 2"	17' 7"	15' 4"	13' 3"	12' 0"	10' 1"	11' 6"	10' 11"	9' 2"	10' 3" ^e	10' 1" ^e	8' 6"	9' 5" ^e	8' 0" ^e	8' 0" ^e	7' 5" ^e	8' 8" ^e	8' 0"	8' 2" ^e	8' 2" ^e	7' 3" ^e	7' 3" ^e	6' 9" ^e	
		24	18' 9"	15' 4"	13' 5"	10' 10"	10' 6"	8' 10"	9' 5" ^e	9' 5" ^e	8' 0"	8' 5" ^e	8' 5" ^e	7' 5" ^e	7' 8" ^e	7' 8" ^e	7' 0" ^e	7' 1" ^e	7' 1" ^e	6' 8" ^e	6' 8" ^e	6' 8" ^e	6' 4" ^e	5' 11" ^e	5' 11" ^e	5' 11" ^e
362S200-33	33	12	25' 9"	20' 5"	17' 10"	15' 11"	13' 11"	11' 9"	13' 11"	12' 8"	10' 8"	12' 5"	11' 9"	9' 11"	11' 4" ^e	11' 1" ^e	9' 4"	10' 6" ^e	10' 6" ^e	8' 10"	9' 10" ^e	9' 10" ^e	8' 6"	8' 10" ^e	8' 10" ^e	7' 10"
		16	23' 4"	17' 8"	16' 2"	13' 11"	12' 8"	10' 8"	12' 1"	11' 6"	9' 8"	10' 9" ^e	10' 8" ^e	9' 0"	9' 10" ^e	9' 10" ^e	8' 6"	9' 1" ^e	9' 1" ^e	8' 1" ^e	8' 6" ^e	8' 6" ^e	7' 8"	7' 7" ^e	7' 2" ^e	
		24	19' 8"	16' 2"	14' 2"	11' 4" ^e	11' 1" ^e	9' 4"	9' 10" ^e	9' 10" ^e	8' 6" ^e	8' 10" ^e	8' 10" ^e	7' 10" ^e	8' 0" ^e	8' 0" ^e	7' 5" ^e	7' 5" ^e	7' 5" ^e	7' 0" ^e	6' 9" ^e	6' 9" ^e	6' 3" ^e	6' 3" ^e	6' 3" ^e	
362S137-43	33	12	25' 3"	20' 1"	17' 6"	15' 8"	13' 8"	11' 7"	14' 3"	12' 5"	10' 6"	13' 0"	11' 7"	9' 9"	11' 10"	10' 10"	9' 2"	11' 0"	10' 4"	8' 8"	10' 3"	9' 10"	8' 4"	9' 2"	9' 2"	7' 9"
		16	23' 0"	18' 3"	15' 11"	14' 3"	12' 5"	10' 6"	12' 7"	11' 4"	9' 6"	11' 3"	10' 6"	8' 10"	10' 3"	9' 10"	8' 4"	9' 6"	9' 5"	7' 11"	8' 11"	8' 11"	7' 7"	7' 11"	7' 11"	6' 0"
		24	20' 1"	15' 11"	13' 11"	11' 10"	10' 10"	9' 2"	10' 3"	9' 10"	8' 4"	9' 2"	9' 2"	7' 9"	8' 5"	8' 5"	7' 3"	7' 9"	7' 9"	6' 7"	7' 3" ^e	7' 3" ^e	6' 9"	6' 6" ^e	6' 6" ^e	6' 2" ^e
362S162-43	33	12	26' 6"	21' 0"	18' 4"	16' 5"	14' 4"	12' 1"	14' 11"	13' 0"	11' 0"	13' 10"	12' 1"	10' 2"	12' 9"	11' 5"	9' 7"	11' 10"	10' 10"	9' 1"	11' 1"	10' 4"	8' 9"	9' 11"	9' 7"	8' 1"
		16	24' 1"	19' 1"	16' 8"	14' 11"	13' 0"	11' 0"	13' 7"	11' 10"	10' 0"	12' 1"	11' 0"	9' 3"	11' 1"	10' 4"	8' 9"	10' 3"	9' 10"	8' 3"	9' 7"	9' 5"	7' 11"	8' 7" ^e	8' 7" ^e	7' 4"
		24	21' 0"	16' 8"	14' 7"	12' 9"	11' 5"	9' 7"	11' 1"	10' 4"	8' 9"	9' 11"	9' 7"	8' 1"	9' 0"	9' 0"	7' 7"	8' 4" ^e	8' 4" ^e	7' 3"	7' 10" ^e	7' 10" ^e	6' 11" ^e	7' 0" ^e	7' 0" ^e	6' 5" ^e
362S200-43	33	12	28' 0"	22' 3"	19' 5"	17' 4"	15' 2"	12' 9"	15' 9"	13' 9"	11' 7"	14' 8"	12' 9"	10' 9"	13' 8"	12' 0"	10' 2"	12' 8"	11' 5"	9' 8"	11' 10"	10' 11"	9' 3"	10' 7"	10' 2"	8' 7"
		16	25' 5"	20' 2"	17' 8"	15' 9"	13' 9"	11' 7"	14' 4"	12' 6"	10' 7"	13' 0"	11' 7"	9' 10"	11' 10"	10' 11"	9' 3"	11' 0"	10' 5"	8' 9"	10' 3"	9' 11"	8' 4"	9' 2" ^e	9' 2" ^e	7' 9"
		24	22' 3"	17' 8"	15' 5"	13' 8"	12' 0"	10' 2"	11' 10"	10' 11"	9' 3"	10' 7"	10' 2"	8' 7"	9' 8" ^e	9' 7" ^e	8' 1"	9' 0" ^e	9' 0" ^e	7' 8"	8' 5" ^e	8' 5" ^e	7' 4" ^e	7' 6" ^e	7' 6" ^e	6' 9" ^e
362S137-54	50	12	27' 1"	21' 6"	18' 9"	16' 9"	14' 8"	12' 4"	15' 3"	13' 4"	11' 3"	14' 2"	12' 4"	10' 5"	13' 4"	11' 8"	9' 10"	12' 8"	11' 1"	9' 4"	12' 1"	10' 7"	8' 11"	11' 3"	9' 10"	8' 3"
		16	24' 7"	19' 6"	17' 1"	15' 3"	13' 4"	11' 3"	13' 10"	12' 1"	10' 2"	12' 10"	11' 3"	9' 16"	12' 1"	10' 7"	8' 11"	11' 6"	10' 0"	8' 6"	11' 0"	9' 7"	8' 1"	10' 2"	8' 11"	7' 6"
		24	21' 6"	17' 1"	14' 11"	13' 4"	11' 8"	9' 10"	12' 1"	10' 7"	8' 11"	11' 3"	9' 10"	8' 3"	10' 7"	9' 3"	7' 9"	10' 0"	8' 9"	7' 5"	9' 7"	8' 5"	7' 1"	8' 9"	7' 9"	6' 7"
362S162-54	50	12	28' 5"	22' 6"	19' 8"	17' 7"	15' 4"	13' 0"	16' 0"	14' 0"	11' 9"	14' 10"	13' 0"	10' 11"	14' 0"	12' 2"	10' 3"	13' 3"	11' 7"	9' 9"	12' 8"	11' 1"	9' 4"	11' 9"	10' 3"	8' 8"
		16	25' 10"	20' 6"	17' 11"	16' 0"	14' 0"	11' 9"	14' 6"	12' 8"	10' 8"	13' 6"	11' 9"	9' 11"	12' 8"	11' 1"	9' 4"	12' 1"	10' 6"	8' 11"	11' 6"	10' 1"	8' 6"	10' 8"	9' 4"	7' 11"
		24	22' 6"	17' 11"	15' 7"	14' 0"	12' 2"	10' 3"	12' 8"	11' 1"	9' 4"	11' 9"	10' 3"	8' 8"	11' 1"	9' 8"	8' 2"	10' 6"	9' 2"	7' 9"	10' 1"	8' 10"	7' 5"	9' 4"	8' 2"	6' 11"
362S200-54	50	12	30' 0"	23' 10"	20' 10"	18' 7"	16' 3"	13' 8"	16' 11"	14' 9"	12' 5"	15' 8"	13' 8"	11' 7"	14' 9"	12' 11"	10' 10"	14' 0"	12' 3"	10' 4"	13' 5"	11' 9"	9' 11"	12' 9"	11' 2"	9' 5"
		16	27' 3"	21' 8"	18' 11"	16' 11"	14' 9"	12' 5"	15' 4"	13' 5"	11' 4"</															



Curtain Wall Limiting Heights - Single Span

Section	Fy Spacing (ksi) (in) oc	5 psf			15 psf			20 psf			25 psf			30 psf			35 psf			40 psf			50 psf			
		L/120	L/240	L/360	L/240	L/360	L/600	L/240	L/360	L/600	L/240	L/360	L/600	L/240	L/360	L/600	L/240	L/360	L/600	L/240	L/360	L/600	L/240	L/360	L/600	
400S137-43	33	12	27' 4"	21' 8"	18' 11"	16' 11"	14' 9"	12' 6"	15' 4"	13' 5"	11' 4"	13' 9"	12' 6"	10' 6"	12' 7"	11' 9"	9' 11"	11' 7"	11' 2"	9' 5"	10' 10"	10' 8"	9' 0"	9' 9"	9' 9"	8' 4"
		16	24' 10"	19' 8"	17' 2"	15' 4"	13' 5"	11' 4"	13' 4"	12' 2"	10' 4"	11' 11"	11' 4"	9' 7"	10' 10"	10' 8"	9' 0"	10' 1"	10' 1"	8' 6"	9' 5"	9' 5"	8' 2"	8' 5"	8' 5"	7' 7"
		24	21' 8"	17' 2"	15' 0"	12' 7"	11' 9"	9' 11"	10' 10"	10' 8"	9' 0"	9' 9"	9' 9"	8' 4"	8' 11"	8' 11"	7' 10"	8' 3"	8' 3"	7' 6"	7' 8"	7' 8"	7' 2"	6' 11"	6' 11"	6' 7"
400S162-43	33	12	28' 7"	22' 8"	19' 10"	17' 9"	15' 6"	13' 1"	16' 1"	14' 1"	11' 10"	14' 10"	13' 1"	11' 0"	13' 6"	12' 3"	10' 4"	12' 6"	11' 8"	9' 10"	11' 9"	11' 2"	9' 5"	10' 6"	10' 4"	8' 9"
		16	26' 0"	20' 7"	18' 0"	16' 1"	14' 1"	11' 10"	14' 4"	12' 9"	10' 9"	12' 10"	11' 10"	10' 0"	11' 9"	11' 2"	9' 5"	10' 10"	10' 7"	8' 11"	10' 2"	10' 2"	8' 7"	9' 1"	9' 1"	7' 11"
		24	22' 8"	18' 0"	15' 9"	13' 6"	12' 3"	10' 4"	11' 9"	11' 2"	9' 5"	10' 6"	10' 4"	8' 9"	9' 7"	9' 7"	8' 3"	8' 10"	8' 10"	7' 10"	8' 3"	8' 3"	7' 6"	7' 5"	7' 5"	6' 11"
400S200-43	33	12	30' 2"	23' 11"	20' 11"	18' 8"	16' 4"	13' 9"	17' 0"	14' 10"	12' 6"	15' 9"	13' 9"	11' 7"	14' 6"	13' 0"	10' 11"	13' 5"	12' 4"	10' 5"	12' 7"	11' 9"	9' 11"	11' 3"	10' 11"	9' 3"
		16	27' 5"	21' 9"	19' 0"	17' 0"	14' 10"	12' 6"	15' 4"	13' 6"	11' 4"	13' 9"	12' 6"	10' 7"	12' 7"	11' 9"	9' 11"	11' 7"	11' 2"	9' 5"	10' 10"	10' 8"	9' 0"	9' 9"	9' 9"	8' 5"
		24	23' 11"	19' 0"	16' 7"	14' 6"	13' 0"	10' 11"	12' 7"	11' 9"	9' 11"	11' 3"	10' 11"	9' 3"	10' 3"	10' 3"	8' 8"	9' 6"	9' 6"	8' 3"	8' 10"	8' 10"	7' 11"	7' 11"	7' 11"	7' 4"
400S137-54	50	12	29' 3"	23' 2"	20' 3"	18' 1"	15' 10"	13' 4"	16' 6"	14' 5"	12' 2"	15' 3"	13' 4"	11' 3"	14' 5"	12' 7"	10' 7"	13' 8"	11' 11"	10' 1"	13' 1"	11' 5"	9' 8"	12' 2"	10' 7"	8' 11"
		16	26' 7"	21' 1"	18' 5"	16' 6"	14' 5"	12' 2"	15' 0"	13' 1"	11' 0"	13' 11"	12' 2"	10' 3"	13' 1"	11' 5"	9' 8"	12' 5"	10' 10"	9' 2"	11' 10"	10' 4"	8' 9"	11' 0"	9' 8"	8' 1"
		24	23' 2"	18' 5"	16' 1"	14' 5"	12' 7"	10' 7"	13' 1"	11' 5"	9' 8"	12' 2"	10' 7"	8' 11"	11' 5"	10' 0"	8' 5"	10' 10"	9' 6"	8' 0"	10' 4"	9' 1"	7' 8"	9' 3"	8' 5"	7' 1"
400S162-54	50	12	30' 8"	24' 4"	21' 3"	19' 0"	16' 7"	14' 0"	17' 3"	15' 1"	12' 9"	16' 0"	14' 0"	11' 10"	15' 1"	13' 2"	11' 1"	14' 4"	12' 6"	10' 7"	13' 8"	12' 0"	10' 1"	12' 9"	11' 1"	9' 4"
		16	27' 10"	22' 1"	19' 4"	17' 3"	15' 1"	12' 9"	15' 8"	13' 8"	11' 7"	14' 7"	12' 9"	10' 9"	13' 8"	12' 0"	10' 1"	13' 0"	11' 4"	9' 7"	12' 5"	10' 10"	9' 2"	11' 7"	10' 1"	8' 6"
		24	24' 4"	19' 4"	16' 10"	15' 1"	13' 2"	11' 1"	13' 8"	12' 0"	10' 1"	12' 9"	11' 1"	9' 4"	12' 0"	10' 5"	8' 10"	11' 4"	9' 11"	8' 5"	10' 10"	9' 6"	8' 0"	10' 0"	8' 10"	7' 5"
400S200-54	50	12	32' 4"	25' 8"	22' 5"	20' 1"	17' 6"	14' 9"	18' 3"	15' 11"	13' 5"	16' 11"	14' 9"	12' 6"	15' 1"	13' 11"	11' 9"	15' 1"	13' 3"	11' 2"	14' 6"	12' 8"	10' 8"	13' 5"	11' 9"	9' 11"
		16	29' 5"	23' 4"	20' 5"	18' 3"	15' 11"	13' 5"	16' 7"	14' 6"	12' 2"	15' 4"	13' 5"	11' 4"	14' 6"	12' 8"	10' 8"	13' 9"	12' 0"	10' 1"	13' 2"	11' 6"	9' 8"	12' 2"	10' 8"	9' 0"
		24	25' 8"	20' 5"	17' 10"	15' 11"	13' 11"	11' 9"	14' 6"	12' 8"	10' 8"	13' 5"	11' 9"	9' 11"	12' 8"	11' 0"	9' 4"	12' 0"	10' 6"	8' 10"	11' 6"	10' 0"	8' 5"	10' 6"	9' 4"	7' 10"
400S137-68	50	12	31' 3"	24' 10"	21' 8"	19' 4"	16' 11"	14' 3"	17' 7"	15' 5"	13' 0"	16' 4"	14' 3"	12' 0"	15' 5"	13' 5"	11' 4"	14' 7"	12' 9"	10' 9"	14' 0"	12' 2"	10' 4"	13' 0"	11' 2"	9' 7"
		16	28' 5"	22' 7"	19' 8"	17' 0"	15' 5"	13' 0"	16' 0"	14' 0"	11' 9"	16' 4"	14' 0"	11' 9"	14' 0"	12' 2"	10' 11"	13' 3"	11' 7"	9' 9"	12' 8"	11' 1"	9' 4"	11' 9"	10' 4"	8' 8"
		24	24' 10"	19' 8"	17' 2"	15' 5"	13' 5"	11' 4"	14' 0"	12' 2"	10' 4"	13' 0"	11' 4"	9' 7"	12' 2"	10' 8"	9' 0"	11' 7"	10' 2"	8' 7"	11' 1"	9' 8"	8' 2"	10' 4"	9' 0"	7' 7"
400S162-68	50	12	32' 10"	26' 0"	22' 9"	20' 4"	17' 9"	15' 0"	18' 6"	16' 2"	13' 7"	17' 2"	15' 0"	12' 8"	16' 2"	14' 1"	11' 11"	15' 4"	13' 5"	11' 4"	14' 8"	12' 10"	10' 10"	13' 7"	11' 11"	10' 0"
		16	29' 10"	23' 8"	20' 8"	18' 6"	16' 2"	13' 7"	16' 9"	14' 8"	12' 4"	15' 7"	13' 7"	11' 6"	14' 8"	12' 10"	10' 10"	13' 11"	12' 2"	10' 3"	13' 4"	11' 8"	9' 10"	12' 4"	10' 10"	9' 1"
		24	26' 0"	20' 8"	18' 1"	16' 2"	14' 1"	11' 11"	14' 8"	12' 10"	10' 10"	13' 7"	11' 11"	10' 0"	12' 2"	10' 11"	9' 5"	12' 2"	10' 8"	9' 0"	11' 8"	10' 2"	8' 7"	10' 10"	9' 5"	8' 0"
400S200-68	50	12	34' 8"	27' 6"	24' 0"	21' 6"	18' 9"	15' 10"	19' 6"	17' 1"	14' 5"	18' 1"	15' 10"	13' 4"	17' 1"	14' 11"	12' 7"	16' 2"	14' 2"	11' 11"	15' 6"	13' 6"	11' 5"	14' 5"	12' 7"	10' 7"
		16	31' 6"	25' 0"	21' 10"	19' 6"	17' 1"	14' 5"	17' 9"	15' 6"	13' 1"	16' 6"	14' 5"	12' 2"	15' 6"	13' 6"	11' 5"	14' 9"	12' 10"	10' 10"	14' 1"	12' 4"	10' 4"	13' 1"	11' 5"	9' 8"
		24	27' 6"	21' 10"	19' 1"	17' 1"	14' 11"	12' 7"	15' 6"	13' 6"	11' 5"	14' 5"	12' 7"	10' 7"	13' 6"	11' 10"	10' 0"	12' 10"	11' 3"	9' 6"	12' 4"	10' 9"	9' 1"	11' 5"	10' 0"	8' 5"
550S162-33	33	12	33' 8"	26' 9"	23' 4"	19' 7"	18' 3"	15' 5"	16' 11"	16' 7"	14' 0"	15' 2"	15' 2"	13' 0"	13' 10"	13' 10"	12' 3"	12' 10"	12' 10"	11' 7"	12' 0"	12' 0"	11' 1"	10' 9"	10' 9"	10' 4"
		16	29' 4"	24' 4"	21' 3"	16' 11"	16' 7"	14' 0"	14' 8"	14' 8"	12' 8"	13' 2"	13' 2"	11' 9"	12' 0"	12' 0"	11' 1"	11' 1"	11' 1"	10' 6"	10' 5"	10' 5"	10' 1"	9' 3"	9' 3"	9' 3"
		24	24' 0"	21' 3"	18' 6"	13' 10"	13' 10"	12' 3"	12' 0"	12' 0"	11' 1"	10' 9"	10' 9"	10' 4"	9' 9"	9' 9"	9' 8"	9' 1"	9' 1"	9' 1"	8' 6"	8' 6"	8' 6"	7' 7"	7' 7"	7' 7"
550S162-43	33	12	36' 8"	29' 1"	25' 5"	22' 9"	19' 10"	16' 9"	20' 8"	18' 1"	15' 3"	18' 9"	16' 9"	14' 2"	17' 1"	15' 9"	13' 4"	15' 10"	15' 0"	12' 8"	14' 10"	14' 4"	12' 1"	13' 3"	13' 3"	11' 3"
		16	33' 4"	26' 5"	23' 1"	20' 8"	18' 1"	15' 3"	18' 1"	16' 5"	13' 10"	13' 8"	15' 3"	12' 10"	14' 10"	14' 4"	12' 1"	13' 8"	13' 7"	11' 6"	12' 10"	12' 10"	11' 0"	11' 6"	11' 6"	10' 2"
		24	29' 1"	23' 1"	20' 2"	17' 1"	15' 9"	13' 4"	14' 10"	14' 4"	12' 1"	13' 3"	13' 3"	11' 3"	11' 3"	12' 1"	10' 7"	11' 2"	11' 2"	10' 0"	10' 6"	10' 6"	9' 7"	9' 4"	9' 4"	8' 11"
550S162-54	50	12	39' 4"	31' 3"	27' 3"	24' 5"	21' 4"	18' 0"	22' 2"	19' 4"	16' 4"	20' 7"	18' 0"	15' 2"	19' 4"	16' 11"	14' 3"	18' 5"	16' 1"	13' 7"	17' 7"	15' 4"	13' 0"	16' 4"	14' 3"	12' 0"
		16	35' 9"	28' 5"	24' 9"	22' 2"	19' 4"	16' 4"	20' 2"	17' 7"	14' 10"	18' 8"	16' 4"	13' 9"	17' 7"	15' 4"	13' 0"	16' 8"	14' 7"	12' 4"	16' 0"	14' 0"	11' 9"	14' 10"	13' 0"	10' 11"
		24	31' 3"	24' 9"	21' 8"	22' 1"	16' 11"	14' 3"	17' 7"	15' 4"	13' 0"	16' 4"	14' 3"	12' 0"	15' 4"	13' 5"	11' 4"	14' 7"	12' 9"	10' 9"	14' 0"	12' 2"	10' 3"	12' 6"	11' 4"	9' 7"
550S162-68	50	12	42' 2"	33' 6"	29' 3"	26' 2"	22' 10"	19' 3"	23' 9"	20' 9"	17' 6"	22' 1"	19' 3"	16' 3"	20' 9"	18' 2"	15' 3"	19' 9"	17' 3"	14' 6"	18' 10"	16' 6"	13' 11"	17' 6"	15' 3"	12' 11"
		16	38' 4"	30' 5"	26' 7"	23' 9"	20' 9"	17' 6"	21' 7"	18' 10"	15' 11"	20' 0"	17' 6"	14' 9"	18' 10"	16' 6"	13' 11"	17' 11"	15' 8"	13' 2"	17' 2"	15' 0"	12' 7"	15' 11"	13' 11"	11' 9"
		24	33' 6"	26' 7"	23' 3"	20' 9"	18' 2"	15' 3"	18' 10"	16' 6"	13' 11"	17' 6"	15' 3"	12' 11"	16' 6"	14' 5"	12' 2"	15' 8"	13' 8"	11' 6"	15' 0"	13' 1"	11' 0"	13' 11"	12' 2"	10' 3"
600S137-33	33	12	33' 0"	27' 6"	24' 0"	19' 1"	18' 9"	15' 10"	16' 6"	16' 6"	14' 0"	14' 9"	14' 9"	13' 4"	13' 6"	13' 6"	12' 7"	12' 6"	12' 6"	11' 11"	11' 8"	11' 8"	11' 5"	10' 5"	10' 5"	10' 5"
		16	28' 7"	24' 11"	21' 10"	16' 6"	16' 6"	14' 4"	14' 4"	14' 4"	13' 1"	12' 10"	12' 10"	12' 1"	11' 8"	11' 8"	11' 5"	10' 10"	10' 10"	10' 10"	10' 1"	10' 1"	10' 1"	9' 1"	9' 1"	9' 1"

Curtain Wall Limiting Heights - Single Span



Section	Fy Spacing (ksi) (in) oc	5 psf			15 psf			20 psf			25 psf			30 psf			35 psf			40 psf			50 psf		
		L/120	L/240	L/360	L/240	L/360	L/600	L/240	L/360	L/600	L/240	L/360	L/600	L/240	L/360	L/600	L/240	L/360	L/600	L/240	L/360	L/600	L/240	L/360	L/600
600S200-68 50	12	47' 7"	37' 9"	33' 0"	29' 6"	25' 9"	21' 9"	26' 9"	23' 5"	19' 9"	24' 10"	21' 9"	18' 4"	23' 5"	20' 5"	17' 3"	22' 3"	19' 5"	16' 4"	21' 3"	18' 7"	15' 8"	19' 9"	17' 3"	14' 6"
	16	43' 2"	34' 3"	29' 11"	26' 9"	23' 5"	19' 9"	24' 4"	21' 3"	17' 11"	22' 7"	19' 9"	16' 8"	21' 3"	18' 7"	15' 8"	20' 2"	17' 8"	14' 11"	19' 4"	16' 10"	14' 3"	17' 11"	15' 8"	13' 2"
	24	37' 9"	29' 11"	26' 2"	23' 5"	20' 5"	17' 3"	21' 3"	18' 7"	15' 8"	19' 9"	17' 3"	14' 6"	18' 7"	16' 3"	13' 8"	17' 8"	15' 5"	13' 0"	16' 10"	14' 9"	12' 5"	15' 8"	13' 8"	11' 6"
600S137-97 50	12	47' 11"	38' 0"	33' 2"	29' 8"	25' 11"	21' 10"	27' 0"	23' 7"	19' 10"	25' 0"	21' 10"	18' 5"	23' 7"	20' 7"	17' 4"	22' 5"	19' 7"	16' 6"	21' 5"	18' 7"	15' 9"	19' 10"	17' 4"	14' 8"
	16	43' 6"	34' 6"	30' 2"	27' 0"	23' 7"	19' 10"	24' 6"	21' 5"	18' 1"	22' 9"	19' 10"	16' 9"	21' 5"	18' 8"	15' 9"	20' 4"	17' 9"	15' 0"	19' 5"	17' 0"	14' 4"	18' 1"	15' 9"	13' 4"
	24	38' 0"	30' 2"	26' 4"	23' 7"	20' 7"	17' 4"	21' 5"	18' 8"	15' 9"	19' 10"	17' 4"	14' 8"	18' 8"	16' 4"	13' 9"	17' 9"	15' 6"	13' 1"	17' 0"	14' 10"	12' 6"	15' 9"	13' 9"	11' 7"
600S162-97 50	12	50' 1"	39' 9"	34' 9"	31' 1"	27' 2"	22' 11"	28' 3"	24' 8"	20' 9"	26' 2"	22' 11"	19' 4"	24' 8"	21' 6"	18' 2"	23' 5"	20' 5"	17' 3"	22' 5"	19' 7"	16' 6"	20' 9"	18' 2"	15' 4"
	16	45' 6"	36' 2"	31' 7"	28' 3"	24' 8"	20' 9"	25' 8"	22' 5"	18' 11"	25' 8"	22' 5"	17' 6"	23' 10"	20' 9"	17' 6"	22' 5"	19' 7"	16' 6"	21' 3"	18' 7"	15' 8"	20' 4"	17' 9"	15' 0"
	24	39' 9"	31' 7"	27' 7"	24' 8"	21' 6"	18' 2"	22' 5"	19' 7"	16' 6"	20' 9"	18' 2"	15' 4"	19' 7"	17' 1"	14' 5"	18' 7"	16' 3"	13' 8"	17' 9"	15' 6"	13' 1"	16' 6"	14' 5"	12' 2"
600S200-97 50	12	52' 10"	41' 11"	36' 7"	32' 9"	28' 7"	24' 1"	29' 9"	26' 0"	21' 11"	27' 7"	24' 1"	20' 4"	26' 0"	22' 8"	19' 2"	24' 8"	21' 7"	18' 2"	23' 7"	20' 7"	17' 5"	21' 11"	19' 2"	16' 2"
	16	48' 0"	38' 1"	33' 3"	29' 9"	26' 0"	21' 11"	27' 0"	23' 7"	19' 11"	25' 1"	21' 11"	18' 6"	23' 7"	20' 7"	17' 5"	22' 5"	19' 7"	16' 6"	21' 5"	18' 9"	15' 10"	19' 11"	17' 5"	14' 8"
	24	41' 11"	33' 3"	29' 1"	26' 0"	22' 8"	19' 2"	23' 7"	20' 7"	17' 5"	21' 11"	19' 2"	16' 2"	20' 7"	18' 0"	15' 2"	19' 7"	17' 1"	14' 5"	18' 9"	16' 4"	13' 10"	17' 5"	15' 2"	12' 10"
600S162-118 50	12	52' 11"	42' 0"	36' 8"	32' 10"	28' 8"	24' 2"	29' 10"	26' 0"	21' 11"	27' 8"	24' 2"	20' 5"	26' 0"	22' 9"	19' 2"	24' 9"	21' 7"	18' 3"	23' 8"	20' 8"	17' 5"	21' 11"	19' 2"	16' 2"
	16	48' 1"	38' 2"	33' 4"	29' 10"	26' 0"	21' 11"	27' 1"	23' 8"	19' 11"	25' 2"	21' 11"	18' 6"	23' 8"	20' 8"	17' 5"	22' 6"	19' 8"	16' 7"	21' 6"	18' 9"	15' 10"	19' 11"	17' 5"	14' 8"
	24	42' 0"	33' 4"	29' 1"	26' 0"	22' 9"	19' 2"	23' 8"	20' 8"	17' 5"	21' 11"	19' 2"	16' 2"	20' 8"	18' 1"	15' 3"	19' 8"	17' 2"	14' 6"	18' 9"	16' 5"	13' 10"	17' 5"	15' 3"	12' 10"
600S200-118 50	12	55' 10"	44' 7"	38' 9"	34' 7"	30' 3"	25' 6"	31' 5"	27' 6"	23' 2"	29' 2"	25' 2"	21' 6"	29' 2"	25' 2"	21' 6"	26' 1"	22' 10"	19' 3"	25' 0"	21' 10"	18' 5"	23' 2"	20' 3"	17' 1"
	16	50' 9"	40' 3"	35' 2"	31' 5"	27' 6"	23' 2"	28' 7"	25' 0"	21' 1"	26' 6"	23' 2"	19' 7"	25' 0"	21' 10"	18' 5"	23' 9"	20' 9"	17' 6"	22' 8"	19' 10"	16' 9"	21' 1"	18' 5"	15' 6"
	24	44' 4"	35' 2"	30' 9"	27' 6"	24' 0"	20' 3"	25' 0"	21' 10"	18' 5"	23' 2"	20' 3"	17' 1"	21' 10"	19' 1"	16' 1"	20' 9"	18' 1"	15' 3"	19' 10"	17' 4"	14' 7"	18' 5"	16' 1"	13' 7"
800S137-43 33	12	45' 10"	37' 10"	33' 1"	26' 6"	25' 10"	21' 9"	22' 11"	22' 11"	19' 9"	20' 6"	20' 6"	18' 4"	18' 9"	18' 9"	17' 3"	17' 4"	17' 4"	16' 5"	16' 3"	16' 3"	15' 8"	14' 6"	14' 6"	14' 6"
	16	39' 9"	34' 4"	30' 0"	22' 11"	22' 11"	19' 9"	19' 10"	19' 10"	18' 0"	17' 9"	17' 9"	16' 8"	16' 3"	16' 3"	15' 8"	15' 0"	15' 0"	14' 11"	14' 1"	14' 1"	14' 1"	12' 7"	12' 7"	12' 7"
	24	32' 5"	29' 11"	26' 3"	18' 9"	18' 9"	17' 3"	16' 3"	16' 3"	15' 8"	14' 6"	14' 6"	14' 6"	13' 3"	13' 3"	13' 3"	12' 3"	12' 3"	12' 3"	11' 6"	11' 6"	11' 6"	10' 3"	10' 3"	10' 3"
800S162-43 33	12	49' 2"	39' 4"	34' 4"	28' 6"	26' 10"	22' 7"	24' 9"	24' 4"	20' 7"	22' 1"	22' 1"	19' 1"	20' 2"	20' 2"	17' 11"	18' 8"	18' 8"	17' 1"	17' 6"	17' 6"	16' 4"	15' 8"	15' 8"	15' 2"
	16	42' 10"	35' 8"	31' 2"	24' 9"	24' 4"	20' 7"	21' 5"	21' 5"	18' 8"	19' 2"	19' 2"	17' 4"	17' 6"	17' 6"	16' 4"	16' 2"	16' 2"	15' 6"	15' 2"	15' 2"	14' 10"	13' 6"	13' 6"	13' 6"
	24	34' 11"	31' 1"	27' 3"	20' 2"	20' 2"	17' 11"	17' 6"	17' 6"	16' 4"	15' 8"	15' 8"	15' 2"	14' 3"	14' 3"	14' 3"	13' 3"	13' 3"	13' 3"	12' 4"	12' 4"	12' 4"	11' 1"	11' 1"	11' 1"
800S200-43 33	12	51' 10"	41' 1"	35' 11"	30' 6"	28' 1"	23' 8"	26' 5"	25' 6"	21' 6"	23' 8"	23' 8"	19' 11"	21' 7"	21' 7"	18' 9"	20' 0"	20' 0"	17' 10"	18' 8"	18' 8"	17' 1"	16' 9"	16' 9"	15' 10"
	16	45' 10"	37' 4"	32' 8"	26' 5"	25' 6"	21' 6"	22' 11"	22' 11"	19' 6"	20' 6"	20' 6"	18' 2"	18' 8"	18' 8"	17' 1"	17' 4"	17' 4"	16' 2"	16' 2"	16' 2"	15' 6"	14' 6"	14' 6"	14' 5"
	24	37' 5"	32' 8"	28' 6"	21' 7"	21' 7"	18' 9"	18' 8"	18' 8"	17' 1"	16' 9"	16' 9"	15' 10"	15' 3"	15' 3"	14' 11"	14' 2"	14' 2"	14' 2"	13' 3"	13' 3"	13' 3"	11' 10"	11' 10"	11' 10"
800S137-54 50	12	51' 2"	40' 7"	35' 6"	31' 9"	27' 8"	23' 4"	28' 10"	25' 2"	21' 3"	26' 9"	23' 4"	19' 9"	25' 2"	22' 0"	18' 7"	23' 3"	20' 11"	17' 7"	21' 9"	20' 10"	16' 10"	15' 9"	18' 7"	15' 8"
	16	46' 5"	36' 11"	32' 3"	28' 10"	25' 2"	21' 3"	26' 2"	22' 10"	19' 3"	23' 10"	21' 3"	17' 11"	21' 9"	20' 0"	16' 10"	20' 2"	19' 0"	16' 0"	18' 10"	18' 2"	15' 4"	16' 10"	16' 10"	14' 3"
	24	40' 6"	32' 3"	28' 2"	25' 2"	22' 0"	18' 7"	21' 9"	20' 0"	16' 10"	19' 6"	18' 7"	15' 8"	17' 9"	17' 5"	14' 9"	16' 6"	16' 6"	14' 0"	15' 5"	15' 5"	13' 4"	13' 9"	13' 9"	12' 5"
800S162-54 50	12	53' 2"	42' 3"	36' 10"	33' 0"	28' 10"	24' 3"	29' 11"	26' 2"	22' 1"	27' 10"	24' 3"	20' 6"	26' 2"	22' 10"	19' 3"	24' 10"	21' 9"	18' 4"	23' 5"	20' 9"	17' 6"	20' 11"	19' 3"	16' 3"
	16	48' 4"	38' 4"	33' 6"	29' 11"	26' 2"	22' 1"	29' 11"	26' 2"	22' 1"	25' 3"	22' 1"	18' 7"	23' 5"	20' 9"	17' 6"	21' 8"	19' 9"	16' 8"	20' 3"	18' 10"	15' 11"	18' 1"	17' 6"	14' 9"
	24	42' 1"	33' 6"	29' 3"	26' 2"	22' 10"	19' 3"	23' 5"	20' 9"	17' 6"	20' 11"	19' 3"	16' 3"	19' 1"	18' 2"	15' 4"	17' 8"	17' 3"	14' 6"	16' 6"	16' 6"	13' 11"	14' 9"	14' 9"	12' 11"
800S200-54 50	12	55' 8"	44' 2"	38' 7"	34' 6"	30' 2"	25' 5"	31' 4"	27' 5"	23' 1"	29' 1"	25' 5"	21' 5"	27' 5"	23' 11"	20' 2"	26' 0"	22' 9"	19' 2"	24' 10"	21' 9"	18' 4"	22' 4"	20' 2"	17' 0"
	16	50' 7"	40' 2"	35' 1"	31' 4"	27' 5"	23' 1"	28' 6"	24' 10"	21' 0"	26' 5"	23' 1"	19' 6"	24' 10"	21' 9"	18' 4"	23' 1"	20' 8"	17' 5"	21' 7"	19' 9"	16' 8"	19' 4"	18' 4"	15' 5"
	24	44' 2"	35' 1"	30' 8"	29' 1"	23' 11"	20' 2"	24' 10"	21' 9"	18' 4"	22' 4"	20' 2"	17' 0"	22' 5"	19' 0"	16' 0"	18' 10"	18' 0"	15' 2"	15' 9"	15' 9"	14' 7"	15' 9"	15' 9"	13' 6"
800S137-68 50	12	54' 11"	43' 7"	38' 1"	34' 0"	29' 9"	25' 1"	30' 11"	27' 0"	22' 9"	28' 8"	25' 1"	21' 2"	27' 0"	23' 7"	19' 11"	25' 8"	22' 5"	18' 11"	24' 6"	21' 5"	18' 1"	22' 9"	19' 11"	16' 9"
	16	49' 10"	39' 7"	34' 7"	30' 11"	27' 0"	22' 9"	28' 1"	24' 6"	20' 8"	26' 1"	22' 9"	19' 2"	24' 6"	21' 5"	18' 1"	23' 4"	20' 4"	17' 2"	22' 3"	19' 6"	16' 5"	19' 11"	18' 1"	15' 3"
	24	43' 7"	34' 7"	30' 2"	27' 0"	23' 7"	19' 11"	24' 6"	21' 5"	18' 1"	22' 9"	19' 11"	16' 9"	22' 9"	18' 9"	15' 9"	19' 5"	17' 9"	15' 0"	18' 2"	17' 0"	14' 4"	16' 3"	15' 9"	13' 4"
800S162-68 50	12	57' 1"	45' 4"	39' 7"	35' 4"	30' 11"	26' 1"	32' 2"	28' 1"	23' 8"	29' 10"	26' 1"	22' 0"	28' 1"	24' 9"	20' 8"	26' 8"	23' 4"	19' 8"	25' 6"	22' 3"	18' 10"	23' 8"	20' 8"	17' 5"
	16	51' 10"	41' 2"	35' 11"	32' 2"	28' 1"	23' 8"	29' 2"	25' 6"	21' 6"	27' 1"	23' 8"	20' 0"	25' 6"	22' 3"	18' 10"	24' 3"	21' 2"	17' 10"	23' 2"	20' 3"	17' 1"	21' 3"	18'	



Curtain Wall Limiting Heights - Double Span

Section	Fy (ksi)	Spacing (in) oc	5 psf			15 psf			20 psf			25 psf			30 psf			35 psf			40 psf			50 psf		
			L/120	L/240	L/360	L/240	L/360	L/600	L/240	L/360	L/600	L/240	L/360	L/600	L/240	L/360	L/600	L/240	L/360	L/600	L/240	L/360	L/600	L/240	L/360	L/600
350S162-33	33	12	25' 10"	25' 3"	22' 0"	14' 9"	14' 9"	14' 6"	12' 8"	12' 8"	12' 8"	11' 3"	11' 3"	11' 3"	10' 2"	10' 2"	10' 2"	9' 4"	9' 4"	9' 4"	8' 8"	8' 8"	8' 8"	7' 8"	7' 8"	7' 8"
		16	22' 4"	22' 4"	20' 0"	12' 8"	12' 8"	12' 8"	10' 10"	10' 10"	10' 10"	9' 8"	9' 8"	9' 8"	8' 8"	8' 8"	8' 8"	8' 0"	8' 0"	8' 0"	7' 5"	7' 5"	7' 5"	6' 6"	6' 6"	6' 6"
		24	18' 2"	18' 2"	17' 6"	10' 2"	10' 2"	10' 2"	8' 8"	8' 8"	8' 8"	7' 8"	7' 8"	7' 8"	6' 11"	6' 11"	6' 11"	6' 4"	6' 4"	6' 4"	5' 10"	5' 10"	5' 10"	5' 1"	5' 1"	5' 1"
350S162-43	33	12	30' 6"	27' 5"	24' 0"	17' 5"	17' 5"	15' 9"	15' 0"	15' 0"	14' 4"	13' 4"	13' 4"	13' 4"	12' 1"	12' 1"	12' 1"	11' 2"	11' 2"	11' 2"	10' 4"	10' 4"	10' 4"	9' 2"	9' 2"	9' 2"
		16	26' 4"	24' 11"	21' 9"	15' 0"	15' 0"	14' 4"	12' 10"	12' 10"	12' 10"	11' 5"	11' 5"	11' 5"	10' 4"	10' 4"	10' 4"	9' 6"	9' 6"	9' 6"	8' 10"	8' 10"	8' 10"	7' 9"	7' 9"	7' 9"
		24	21' 5"	21' 5"	19' 0"	12' 1"	12' 1"	12' 1"	10' 4"	10' 4"	10' 4"	9' 2"	9' 2"	9' 2"	8' 3"	8' 3"	8' 3"	7' 7"	7' 7"	7' 7"	7' 0"	7' 0"	7' 0"	6' 1"	6' 1"	6' 1"
350S162-54	50	12	37' 0"	29' 5"	25' 8"	22' 1"	20' 1"	16' 11"	20' 3"	18' 3"	15' 4"	18' 0"	16' 11"	14' 3"	16' 4"	15' 11"	13' 5"	15' 1"	15' 1"	12' 9"	14' 1"	14' 1"	12' 2"	12' 5"	12' 5"	11' 4"
		16	33' 8"	26' 9"	23' 4"	20' 3"	18' 3"	15' 4"	17' 5"	16' 7"	14' 0"	15' 6"	15' 4"	13' 0"	14' 1"	14' 1"	12' 2"	12' 11"	12' 11"	11' 7"	12' 0"	12' 0"	11' 1"	10' 7"	10' 7"	10' 3"
		24	28' 11"	23' 4"	20' 5"	16' 4"	15' 11"	13' 5"	14' 1"	14' 1"	12' 2"	12' 5"	12' 5"	11' 4"	11' 3"	11' 3"	10' 8"	10' 4"	10' 4"	10' 1"	9' 7"	9' 7"	9' 7"	8' 5"	8' 5"	8' 5"
350S162-68	50	12	39' 7"	31' 5"	27' 6"	24' 7"	21' 5"	18' 1"	22' 4"	19' 6"	16' 5"	20' 3"	18' 1"	15' 3"	18' 4"	17' 0"	14' 4"	16' 11"	16' 2"	13' 8"	15' 8"	15' 6"	13' 1"	13' 10"	13' 10"	12' 1"
		16	36' 0"	28' 7"	24' 1"	22' 4"	19' 6"	16' 5"	19' 7"	17' 8"	14' 11"	17' 4"	16' 5"	13' 10"	15' 8"	15' 6"	13' 1"	14' 5"	14' 5"	12' 5"	13' 4"	13' 4"	11' 10"	11' 9"	11' 9"	11' 0"
		24	31' 5"	24' 11"	21' 10"	18' 4"	17' 0"	14' 4"	15' 8"	15' 6"	13' 1"	13' 10"	13' 10"	12' 1"	12' 6"	12' 6"	11' 5"	11' 5"	11' 5"	10' 10"	10' 6"	10' 6"	10' 4"	9' 9"	9' 2"	9' 2"
362S137-33	33	12	24' 7"	24' 7"	21' 7"	14' 1"	14' 1"	14' 1"	12' 1"	12' 1"	12' 1"	10' 9"	10' 9"	10' 9"	9' 9"	9' 9"	9' 9"	9' 0"	9' 0"	9' 0"	8' 4"	8' 4"	8' 4"	7' 5"	7' 5"	7' 5"
		16	21' 3"	21' 3"	19' 8"	12' 1"	12' 1"	12' 1"	10' 5"	10' 5"	10' 5"	9' 3"	9' 3"	9' 3"	8' 4"	8' 4"	8' 4"	7' 8"	7' 8"	7' 8"	7' 2"	7' 2"	7' 2"	6' 4"	6' 4"	6' 4"
		24	17' 4"	17' 4"	17' 2"	9' 9"	9' 9"	9' 9"	8' 4"	8' 4"	8' 4"	7' 5"	7' 5"	7' 5"	6' 8"	6' 8"	6' 8"	6' 1"	6' 1"	6' 1"	5' 8"	5' 8"	5' 8"	5' 0"	5' 0"	5' 0"
362S162-33	33	12	26' 5"	25' 11"	22' 8"	15' 1"	15' 1"	14' 11"	12' 11"	12' 11"	12' 11"	11' 6"	11' 6"	11' 6"	10' 5"	10' 5"	10' 5"	9' 7"	9' 7"	9' 7"	9' 1"	9' 1"	9' 1"	8' 7"	8' 7"	8' 7"
		16	22' 10"	22' 10"	20' 7"	12' 11"	12' 11"	12' 11"	11' 1"	11' 1"	11' 1"	9' 10"	9' 10"	9' 10"	8' 11"	8' 11"	8' 11"	8' 2"	8' 2"	8' 2"	7' 7"	7' 7"	7' 7"	6' 8"	6' 8"	6' 8"
		24	18' 7"	18' 7"	18' 0"	10' 5"	10' 5"	10' 5"	8' 11"	8' 11"	8' 11"	7' 11"	7' 11"	7' 11"	7' 1"	7' 1"	7' 1"	6' 6"	6' 6"	6' 6"	6' 0"	6' 0"	6' 0"	5' 3"	5' 3"	5' 3"
362S200-33	33	12	27' 8"	27' 4"	23' 11"	15' 9"	15' 9"	15' 9"	13' 6"	13' 6"	13' 6"	12' 0"	12' 0"	12' 0"	10' 11"	10' 11"	10' 11"	10' 0"	10' 0"	10' 0"	9' 4"	9' 4"	9' 4"	8' 3"	8' 3"	8' 3"
		16	23' 11"	23' 11"	21' 9"	13' 6"	13' 6"	13' 6"	11' 7"	11' 7"	11' 7"	10' 4"	10' 4"	10' 4"	9' 4"	9' 4"	9' 4"	8' 6"	8' 6"	8' 6"	7' 11"	7' 11"	7' 11"	6' 11"	6' 11"	6' 11"
		24	19' 5"	19' 5"	19' 0"	10' 11"	10' 11"	10' 11"	9' 4"	9' 4"	9' 4"	8' 3"	8' 3"	8' 3"	7' 5"	7' 5"	7' 5"	6' 9"	6' 9"	6' 9"	6' 3"	6' 3"	6' 3"	5' 5"	5' 5"	5' 5"
362S137-43	33	12	28' 11"	26' 11"	23' 6"	16' 6"	16' 6"	15' 6"	14' 3"	14' 3"	14' 1"	12' 8"	12' 8"	12' 8"	11' 6"	11' 6"	11' 6"	10' 8"	10' 8"	10' 8"	9' 11"	9' 11"	9' 11"	8' 9"	8' 9"	8' 9"
		16	25' 0"	24' 5"	21' 4"	14' 3"	14' 3"	14' 1"	12' 3"	12' 3"	12' 3"	10' 11"	10' 11"	10' 11"	9' 11"	9' 11"	9' 11"	9' 1"	9' 1"	9' 1"	8' 6"	8' 6"	8' 6"	7' 6"	7' 6"	7' 6"
		24	20' 4"	20' 4"	18' 8"	11' 6"	11' 6"	11' 6"	9' 11"	9' 11"	9' 11"	8' 9"	8' 9"	8' 9"	7' 11"	7' 11"	7' 11"	7' 3"	7' 3"	7' 3"	6' 9"	6' 9"	6' 9"	6' 1"	6' 1"	6' 1"
362S162-43	33	12	31' 2"	28' 2"	24' 8"	17' 9"	17' 9"	16' 3"	15' 4"	15' 4"	14' 9"	13' 8"	13' 8"	13' 8"	12' 5"	12' 5"	12' 5"	11' 5"	11' 5"	11' 5"	10' 7"	10' 7"	10' 7"	9' 5"	9' 5"	9' 5"
		16	26' 11"	25' 7"	22' 5"	15' 4"	15' 4"	14' 9"	13' 2"	13' 2"	13' 2"	11' 8"	11' 8"	11' 8"	10' 7"	10' 7"	10' 7"	9' 9"	9' 9"	9' 9"	9' 1"	9' 1"	9' 1"	8' 0"	8' 0"	8' 0"
		24	21' 11"	21' 11"	19' 7"	12' 5"	12' 5"	12' 5"	10' 7"	10' 7"	10' 7"	9' 5"	9' 5"	9' 5"	8' 6"	8' 6"	8' 6"	7' 9"	7' 9"	7' 9"	7' 2"	7' 2"	7' 2"	6' 4"	6' 4"	6' 4"
362S200-43	33	12	33' 4"	29' 9"	26' 7"	19' 0"	19' 0"	17' 2"	16' 4"	16' 4"	15' 7"	14' 7"	14' 7"	14' 5"	13' 2"	13' 2"	13' 2"	12' 2"	12' 2"	12' 2"	11' 4"	11' 4"	11' 4"	10' 0"	10' 0"	10' 0"
		16	28' 10"	27' 1"	23' 8"	16' 4"	16' 4"	15' 7"	14' 1"	14' 1"	14' 1"	12' 6"	12' 6"	12' 6"	11' 4"	11' 4"	11' 4"	10' 5"	10' 5"	10' 5"	9' 8"	9' 8"	9' 8"	8' 6"	8' 6"	8' 6"
		24	23' 5"	23' 5"	20' 8"	13' 2"	13' 2"	13' 2"	11' 4"	11' 4"	11' 4"	10' 0"	10' 0"	10' 0"	9' 0"	9' 0"	9' 0"	8' 3"	8' 3"	8' 3"	7' 7"	7' 7"	7' 7"	6' 8"	6' 8"	6' 8"
362S137-54	50	12	36' 3"	28' 10"	25' 2"	22' 3"	19' 8"	16' 7"	19' 3"	17' 10"	15' 1"	17' 2"	16' 7"	14' 0"	15' 7"	15' 7"	13' 2"	14' 5"	14' 5"	12' 6"	13' 5"	13' 5"	11' 11"	11' 11"	11' 11"	11' 1"
		16	33' 0"	26' 2"	22' 10"	19' 3"	17' 10"	15' 1"	16' 7"	16' 3"	13' 8"	14' 9"	14' 9"	12' 8"	13' 5"	13' 5"	11' 11"	12' 4"	12' 4"	11' 4"	11' 6"	11' 6"	10' 10"	10' 2"	10' 2"	10' 1"
		24	27' 5"	22' 10"	20' 0"	15' 7"	15' 7"	13' 2"	13' 5"	13' 5"	11' 11"	11' 11"	11' 11"	11' 1"	10' 9"	10' 9"	10' 5"	9' 11"	9' 11"	9' 11"	9' 3"	9' 3"	9' 3"	8' 1"	8' 1"	8' 1"
362S162-54	50	12	38' 1"	30' 2"	26' 5"	23' 7"	20' 7"	17' 5"	20' 8"	18' 9"	15' 9"	18' 5"	17' 5"	14' 8"	16' 9"	16' 4"	13' 10"	15' 5"	15' 5"	13' 1"	14' 5"	14' 5"	12' 6"	12' 9"	12' 9"	11' 8"
		16	34' 7"	27' 5"	24' 0"	20' 8"	18' 9"	15' 9"	17' 10"	17' 0"	14' 4"	15' 10"	15' 9"	13' 4"	14' 5"	14' 5"	12' 6"	13' 3"	13' 3"	11' 11"	12' 4"	12' 4"	11' 5"	10' 11"	10' 11"	10' 7"
		24	29' 6"	24' 0"	20' 11"	16' 9"	16' 4"	13' 10"	14' 5"	14' 5"	12' 6"	12' 10"	12' 9"	11' 8"	11' 7"	11' 7"	10' 11"	10' 7"	10' 7"	10' 5"	9' 10"	9' 10"	9' 10"	8' 8"	8' 8"	8' 8"
362S200-54	50	12	40' 3"	31' 11"	27' 11"	24' 11"	21' 9"	18' 4"	21' 8"	19' 9"	16' 8"	19' 4"	18' 4"	15' 6"	17' 7"	17' 3"	14' 7"	16' 2"	16' 2"	13' 10"	15' 1"	15' 1"	13' 3"	13' 4"	13' 4"	12' 4"
		16	36' 7"	29' 0"	25' 4"	21' 8"	19' 9"	16' 8"	18' 8"	18' 0"	15' 2"	16' 7"	16' 7"	14' 1"	15' 1"	15' 1"	13' 3"	13' 10"	13' 10"	12' 7"	12' 11"	12' 11"	12' 0"	11' 5"	11' 5"	11' 2"
		24	31' 0"	25' 4"	22' 2"	17' 7"	17' 3"	14' 7"	15' 1"	15' 1"	13' 3"	13' 4"	13' 4"	12' 4"	12' 1"	12' 1"	11' 7"	11' 1"	11' 1"	11' 0"	10' 3"	10' 3"	10' 3"	9' 0"	9' 0"	9' 0"
362S137-68	50	12	38' 9"	30' 9"	26' 11"	24' 10"	21' 0"	17' 8"	21' 9"	19' 1"	16' 1"	19' 5"	17' 8"	14' 11"	17' 7"	16' 8"	14' 11"	16' 3"	15' 10"	13' 4"	15' 1"	15' 1"	12' 9"	13' 5"	13' 5"	11' 10"
		16	35' 3"	27' 11"	24' 5"	21' 9"	19' 1"	16' 1"	18' 9"	17' 4"	14' 7"	16' 8"	16' 1"	13' 7"	15' 1"	15' 1"	12' 9"	13' 11"	13' 11"	12' 2"	12' 11"	12' 11"	11' 7"	11' 5"	11' 5"	10' 9"
		24	30' 9"	24' 5"	21' 4"	17' 7"	16' 8"	14' 1"	15' 1"	15' 1"	12' 9"	13' 5"	13' 5"	11' 10"	12' 1"	12' 1"	11' 2"	11' 1"	11' 1"	10' 7"	10' 3"	10' 3"	10' 2"	9' 0"	9' 0"	9' 0"
362S162-68	50	12	40' 9"	32' 4"	28' 3"	25' 3"	22' 1"	18' 7"	22' 11"	20' 0"	16' 11"	20' 10"	18' 7"	15' 8"	18' 1"	17' 6"	14' 9"	17' 5"	16' 7"	14' 0"	16' 2"	15' 11"	13' 5"	14' 4"	14' 4"	12' 5"
		16	37' 0"	29' 4"	25' 8"	22' 1"	20' 0"	16' 11"	20' 1"	18' 2"	15' 4"	17' 10"	16' 11"	14' 3"	16' 2"	15' 11"	13' 5"	14' 11"	14' 11"	12' 9"	13' 10"	13' 10"	12' 2"	12' 2"	12' 2"	11' 4"

Curtain Wall Limiting Heights - Double Span



Section	Fy (ksi)	Spacing (in) oc	5 psf			15 psf			20 psf			25 psf			30 psf			35 psf			40 psf			50 psf				
			L/120	L/240	L/360	L/240	L/360	L/600	L/240	L/360	L/600	L/240	L/360	L/600	L/240	L/360	L/600	L/240	L/360	L/600	L/240	L/360	L/600	L/240	L/360	L/600		
400S162-54	50	12	41' 1"	32' 7"	28' 6"	25' 6"	22' 3"	18' 9"	22' 0"	20' 3"	17' 1"	19' 7"	18' 9"	15' 10"	17' 10"	17' 8"	14' 11"	16' 6"	16' 6"	14' 2"	15' 4"	15' 4"	13' 6"	13' 8"	13' 8"	12' 7"		
		16	37' 4"	29' 8"	25' 11"	22' 0"	20' 3"	17' 1"	19' 0"	18' 4"	15' 6"	16' 11"	16' 11"	14' 5"	15' 4"	15' 4"	13' 6"	14' 2"	14' 2"	12' 10"	13' 2"	13' 2"	12' 4"	11' 8"	11' 8"	11' 5"		
		24	31' 4"	25' 11"	22' 7"	17' 10"	17' 8"	14' 11"	15' 4"	15' 4"	13' 6"	13' 8"	13' 8"	12' 7"	12' 4"	12' 4"	11' 10"	11' 5"	11' 5"	11' 3"	10' 7"	10' 7"	10' 7"	9' 4"	9' 4"	9' 4"		
400S200-54	50	12	43' 5"	34' 5"	30' 1"	26' 9"	23' 6"	19' 10"	23' 1"	21' 4"	18' 0"	20' 7"	19' 10"	16' 8"	18' 8"	18' 8"	15' 9"	17' 3"	17' 3"	14' 11"	16' 1"	16' 1"	14' 3"	14' 3"	14' 3"	13' 3"		
		16	39' 5"	31' 3"	27' 4"	23' 1"	21' 4"	18' 0"	19' 11"	19' 5"	16' 4"	17' 8"	17' 8"	15' 2"	16' 1"	16' 1"	14' 3"	14' 10"	14' 10"	13' 7"	13' 10"	13' 10"	13' 0"	12' 3"	12' 3"	12' 1"		
		24	32' 10"	27' 4"	23' 10"	18' 8"	18' 8"	15' 9"	16' 1"	16' 1"	14' 3"	14' 3"	14' 3"	13' 3"	12' 11"	12' 11"	12' 6"	11' 11"	11' 11"	11' 10"	11' 1"	11' 1"	11' 1"	9' 9"	9' 9"	9' 9"		
400S137-68	50	12	41' 11"	33' 3"	29' 1"	26' 0"	22' 8"	19' 2"	23' 4"	20' 7"	17' 5"	20' 10"	19' 2"	16' 2"	18' 11"	18' 0"	15' 2"	17' 6"	17' 1"	14' 5"	16' 4"	16' 4"	13' 10"	14' 6"	14' 6"	12' 10"		
		16	38' 1"	30' 3"	26' 5"	23' 4"	20' 7"	17' 5"	20' 1"	18' 9"	15' 10"	17' 11"	17' 5"	14' 8"	16' 4"	16' 4"	13' 10"	15' 0"	15' 0"	13' 1"	14' 0"	14' 0"	12' 6"	12' 5"	12' 5"	11' 8"		
		24	33' 2"	26' 5"	23' 1"	18' 11"	18' 0"	15' 2"	16' 4"	16' 4"	13' 10"	14' 6"	14' 6"	12' 10"	13' 2"	13' 2"	12' 1"	12' 1"	12' 1"	11' 5"	11' 3"	11' 3"	10' 11"	9' 11"	9' 11"	9' 11"		
400S162-68	50	12	44' 0"	34' 11"	30' 6"	27' 3"	23' 10"	20' 1"	24' 9"	21' 8"	18' 3"	22' 4"	20' 1"	16' 11"	20' 4"	18' 11"	15' 11"	18' 9"	17' 11"	15' 2"	17' 6"	17' 2"	14' 6"	15' 7"	15' 7"	13' 5"		
		16	39' 11"	31' 9"	27' 8"	24' 9"	21' 8"	18' 3"	21' 8"	19' 8"	16' 7"	19' 3"	18' 3"	15' 5"	17' 6"	17' 2"	14' 6"	16' 2"	16' 2"	13' 9"	15' 0"	15' 0"	13' 2"	13' 4"	13' 4"	12' 3"		
		24	34' 11"	27' 8"	24' 2"	20' 4"	18' 11"	15' 11"	17' 6"	17' 2"	14' 6"	16' 7"	15' 7"	15' 7"	13' 5"	14' 1"	14' 1"	12' 8"	12' 11"	12' 11"	12' 5"	12' 0"	12' 0"	11' 6"	10' 7"	10' 7"	10' 7"	
400S200-68	50	12	46' 6"	36' 11"	32' 3"	28' 10"	25' 2"	21' 3"	26' 2"	22' 10"	19' 3"	24' 0"	21' 3"	17' 11"	21' 10"	20' 0"	16' 10"	20' 1"	19' 0"	16' 0"	18' 9"	18' 2"	15' 4"	16' 8"	16' 8"	14' 2"		
		16	42' 3"	33' 6"	29' 3"	26' 2"	22' 10"	19' 3"	23' 2"	20' 9"	17' 6"	20' 8"	19' 3"	16' 3"	18' 9"	18' 2"	15' 4"	17' 3"	17' 3"	14' 6"	16' 1"	16' 1"	13' 11"	14' 3"	14' 3"	12' 11"		
		24	36' 11"	29' 3"	25' 7"	21' 10"	20' 0"	16' 10"	18' 9"	18' 2"	15' 4"	16' 8"	16' 8"	14' 2"	15' 1"	15' 1"	13' 4"	13' 10"	13' 10"	12' 8"	12' 10"	12' 10"	12' 2"	11' 4"	11' 4"	11' 3"		
550S162-33	33	12	33' 11"	33' 11"	31' 4"	19' 7"	19' 7"	19' 7"	16' 11"	16' 11"	16' 11"	15' 2"	15' 2"	15' 2"	13' 10"	13' 10"	13' 10"	12' 0"	12' 0"	12' 0"	12' 0"	12' 0"	12' 0"	12' 0"	12' 0"	10' 9"	10' 9"	10' 9"
		16	29' 4"	29' 4"	28' 5"	16' 11"	16' 11"	16' 11"	14' 8"	14' 8"	14' 8"	13' 2"	13' 2"	13' 2"	12' 0"	12' 0"	12' 0"	11' 1"	11' 1"	11' 1"	10' 5"	10' 5"	10' 5"	9' 2"	9' 2"	9' 2"		
		24	24' 0"	24' 0"	24' 0"	13' 10"	13' 10"	13' 10"	12' 0"	12' 0"	12' 0"	10' 9"	10' 9"	10' 9"	9' 9"	9' 9"	9' 9"	8' 11"	8' 11"	8' 11"	8' 3"	8' 3"	8' 3"	7' 2"	7' 2"	7' 2"		
550S162-43	33	12	41' 10"	39' 0"	34' 1"	24' 2"	24' 2"	22' 6"	20' 11"	20' 11"	20' 5"	18' 9"	18' 9"	18' 9"	17' 1"	17' 1"	17' 1"	15' 10"	15' 10"	15' 10"	14' 10"	14' 10"	14' 10"	13' 3"	13' 3"	13' 3"		
		16	36' 3"	35' 6"	31' 0"	20' 11"	20' 11"	20' 5"	18' 1"	18' 1"	18' 1"	16' 3"	16' 3"	16' 3"	14' 10"	14' 10"	14' 10"	13' 8"	13' 8"	13' 8"	12' 10"	12' 10"	12' 10"	11' 6"	11' 6"	11' 6"		
		24	29' 7"	29' 7"	27' 1"	17' 1"	17' 1"	17' 1"	14' 10"	14' 10"	14' 10"	13' 3"	13' 3"	13' 3"	12' 1"	12' 1"	12' 1"	11' 2"	11' 2"	11' 2"	10' 6"	10' 6"	10' 6"	9' 3"	9' 3"	9' 3"		
550S162-54	50	12	52' 9"	41' 10"	36' 7"	32' 4"	28' 7"	24' 1"	28' 0"	25' 11"	21' 11"	25' 1"	24' 1"	20' 4"	22' 10"	22' 8"	19' 1"	21' 2"	21' 2"	18' 2"	19' 10"	19' 10"	17' 4"	17' 9"	17' 9"	16' 2"		
		16	47' 11"	38' 1"	33' 3"	28' 0"	25' 11"	21' 11"	24' 3"	23' 7"	19' 11"	21' 8"	21' 8"	18' 6"	19' 10"	19' 10"	17' 4"	18' 4"	18' 4"	16' 6"	17' 2"	17' 2"	15' 9"	15' 4"	15' 4"	14' 8"		
		24	39' 7"	33' 3"	29' 0"	22' 10"	22' 8"	19' 1"	19' 10"	19' 10"	17' 4"	17' 9"	17' 9"	16' 2"	16' 2"	15' 2"	15' 0"	15' 0"	14' 6"	14' 0"	14' 0"	13' 9"	12' 6"	12' 6"	12' 6"			
550S162-68	50	12	56' 6"	44' 10"	39' 2"	35' 1"	30' 7"	25' 10"	31' 10"	27' 10"	23' 6"	29' 4"	25' 10"	21' 9"	26' 9"	24' 4"	20' 6"	24' 10"	23' 1"	19' 6"	23' 2"	22' 1"	18' 7"	20' 9"	20' 6"	17' 3"		
		16	51' 4"	40' 9"	35' 7"	31' 10"	27' 10"	23' 6"	28' 5"	25' 3"	21' 4"	25' 5"	23' 6"	19' 9"	23' 2"	22' 1"	18' 7"	21' 6"	21' 0"	17' 8"	20' 1"	20' 1"	16' 11"	18' 0"	18' 0"	15' 8"		
		24	44' 10"	35' 7"	31' 1"	26' 9"	24' 4"	20' 6"	23' 2"	22' 1"	18' 7"	20' 9"	20' 6"	17' 3"	18' 11"	18' 11"	16' 3"	17' 6"	17' 6"	15' 5"	16' 5"	16' 5"	14' 9"	14' 8"	14' 8"	13' 9"		
600S137-33	33	12	33' 0"	33' 0"	32' 0"	19' 1"	19' 1"	19' 1"	16' 6"	16' 6"	16' 6"	14' 9"	14' 9"	14' 9"	13' 6"	13' 6"	13' 6"	12' 5"	12' 5"	12' 5"	11' 7"	11' 7"	11' 7"	10' 2"	10' 2"	10' 2"		
		16	28' 7"	28' 7"	28' 7"	16' 6"	16' 6"	16' 6"	14' 4"	14' 4"	14' 4"	12' 9"	12' 9"	12' 9"	11' 7"	11' 7"	11' 7"	10' 7"	10' 7"	10' 7"	9' 10"	9' 10"	9' 10"	8' 7"	8' 7"	8' 7"		
		24	23' 4"	23' 4"	23' 4"	13' 6"	13' 6"	13' 6"	11' 7"	11' 7"	11' 7"	10' 2"	10' 2"	10' 2"	9' 2"	9' 2"	9' 2"	8' 4"	8' 4"	8' 4"	7' 9"	7' 9"	7' 9"	6' 9"	6' 9"	6' 9"		
600S162-33	33	12	35' 6"	35' 6"	33' 7"	20' 6"	20' 6"	20' 6"	17' 9"	17' 9"	17' 9"	15' 11"	15' 11"	15' 11"	14' 6"	14' 6"	14' 6"	13' 5"	13' 5"	13' 5"	12' 7"	12' 7"	12' 7"	11' 3"	11' 3"	11' 3"		
		16	30' 9"	30' 9"	30' 6"	17' 9"	17' 9"	17' 9"	15' 5"	15' 5"	15' 5"	13' 9"	13' 9"	13' 9"	12' 7"	12' 7"	12' 7"	11' 8"	11' 8"	11' 8"	10' 10"	10' 10"	10' 10"	9' 6"	9' 6"	9' 6"		
		24	25' 1"	25' 1"	25' 1"	14' 6"	14' 6"	14' 6"	12' 7"	12' 7"	12' 7"	11' 3"	11' 3"	11' 3"	10' 1"	10' 1"	10' 1"	9' 2"	9' 2"	9' 2"	8' 5"	8' 5"	8' 5"	7' 4"	7' 4"	7' 4"		
600S200-33	33	12	37' 11"	37' 11"	35' 3"	21' 10"	21' 10"	21' 10"	18' 11"	18' 11"	18' 11"	16' 11"	16' 11"	16' 11"	15' 6"	15' 6"	15' 6"	14' 3"	14' 3"	14' 3"	13' 3"	13' 3"	13' 3"	11' 7"	11' 7"	11' 7"		
		16	32' 10"	32' 10"	32' 0"	18' 11"	18' 11"	18' 11"	16' 5"	16' 5"	16' 5"	14' 8"	14' 8"	14' 8"	13' 3"	13' 3"	13' 3"	12' 1"	12' 1"	12' 1"	11' 2"	11' 2"	11' 2"	9' 9"	9' 9"	9' 9"		
		24	26' 9"	26' 9"	26' 9"	15' 6"	15' 6"	15' 6"	13' 3"	13' 3"	13' 3"	11' 7"	11' 7"	11' 7"	10' 5"	10' 5"	10' 5"	9' 5"	9' 5"	9' 5"	8' 8"	8' 8"	8' 8"	7' 6"	7' 6"	7' 6"		
600S137-43	33	12	39' 8"	39' 8"	35' 0"	22' 11"	22' 11"	22' 11"	19' 10"	19' 10"	19' 10"	17' 9"	17' 9"	17' 9"	16' 2"	16' 2"	16' 2"	15' 0"	15' 0"	15' 0"	14' 0"	14' 0"	14' 0"	12' 7"	12' 7"	12' 7"		
		16	34' 5"	34' 5"	31' 10"	19' 10"	19' 10"	19' 10"	17' 2"	17' 2"	17' 2"	15' 5"	15' 5"	15' 5"	14' 0"	14' 0"	14' 0"	13' 0"	13' 0"	13' 0"	12' 2"	12' 2"	12' 2"	10' 10"	10' 10"	10' 10"		
		24	28' 1"	28' 1"	27' 10"	16' 2"	16' 2"	16' 2"	14' 0"	14' 0"	14' 0"	12' 7"	12' 7"	12' 7"	11' 6"	11' 6"	11' 6"	10' 7"	10' 7"	10' 7"	9' 10"	9' 10"	9' 10"	8' 9"	8' 9"	8' 9"		
600S162-43	33	12	43' 11"	41' 10"	36' 6"	25' 4"	25' 4"	24' 1"	21' 11"	21' 11"	21' 10"	19' 8"	19' 8"	19' 8"	17' 11"	17' 11"	17' 11"	16' 7"	16' 7"	16' 7"	15' 6"	15' 6"	15' 6"	13' 11"	13' 11"	13' 11"		
		16	38' 0"	38' 0"	33' 2"	21' 11"	21' 11"	21' 10"	19' 0"	19' 0"	19' 0"	17' 0"	17' 0"	17'														

Curtain Wall Limiting Heights - Double Span

Section	F _y (ksi)	Spacing (in) oc	5 psf			15 psf			20 psf			25 psf			30 psf			35 psf			40 psf			50 psf		
			L/120	L/240	L/360	L/240	L/360	L/600	L/240	L/360	L/600	L/240	L/360	L/600	L/240	L/360	L/600	L/240	L/360	L/600	L/240	L/360	L/600	L/240	L/360	L/600
600S200-97	50	12	70' 9"	56' 2"	49' 1"	43' 10"	38' 4"	32' 4"	39' 10"	34' 10"	29' 4"	37' 0"	32' 4"	27' 3"	34' 10"	30' 5"	25' 8"	33' 1"	28' 11"	24' 4"	31' 8"	27' 8"	23' 4"	28' 11"	25' 8"	21' 8"
		16	64' 4"	51' 0"	44' 7"	39' 10"	34' 10"	29' 4"	36' 3"	31' 8"	26' 8"	33' 7"	29' 4"	24' 9"	31' 8"	27' 8"	23' 4"	29' 11"	26' 3"	22' 2"	28' 0"	25' 1"	21' 2"	24' 11"	23' 4"	19' 8"
		24	56' 2"	44' 7"	38' 11"	34' 10"	30' 5"	25' 8"	31' 8"	27' 8"	23' 4"	28' 11"	25' 8"	21' 8"	26' 4"	24' 2"	20' 4"	24' 4"	22' 11"	19' 4"	22' 8"	21' 11"	18' 6"	20' 2"	20' 2"	17' 2"
600S162-118	50	12	70' 11"	56' 4"	49' 2"	44' 0"	38' 5"	32' 5"	39' 11"	34' 11"	29' 5"	37' 1"	32' 5"	27' 4"	34' 11"	30' 6"	25' 9"	33' 2"	29' 0"	24' 5"	31' 8"	27' 8"	23' 4"	29' 5"	25' 9"	21' 8"
		16	64' 5"	51' 2"	44' 8"	39' 11"	34' 11"	29' 5"	36' 4"	31' 8"	26' 9"	33' 8"	29' 5"	24' 10"	31' 8"	27' 8"	23' 4"	30' 1"	26' 4"	22' 2"	28' 10"	25' 2"	21' 3"	25' 8"	23' 4"	19' 8"
		24	56' 4"	44' 8"	39' 0"	34' 11"	30' 6"	25' 9"	31' 8"	27' 8"	23' 4"	29' 5"	25' 9"	21' 8"	27' 1"	24' 2"	20' 5"	25' 0"	23' 0"	19' 5"	23' 4"	22' 0"	18' 7"	20' 9"	20' 5"	17' 3"
600S200-118	50	12	74' 10"	59' 5"	51' 11"	46' 5"	40' 6"	34' 2"	42' 2"	36' 10"	31' 1"	39' 2"	34' 2"	28' 10"	36' 10"	32' 2"	27' 2"	35' 0"	30' 7"	25' 9"	33' 5"	29' 3"	24' 8"	31' 1"	27' 2"	22' 11"
		16	68' 0"	54' 0"	47' 2"	42' 2"	36' 10"	31' 1"	38' 4"	33' 5"	28' 3"	35' 7"	31' 1"	26' 2"	33' 5"	29' 3"	24' 8"	31' 9"	27' 9"	23' 5"	30' 5"	26' 7"	22' 5"	27' 3"	24' 8"	20' 10"
		24	59' 5"	47' 2"	41' 2"	36' 10"	32' 2"	27' 2"	33' 5"	29' 3"	24' 8"	31' 1"	27' 2"	22' 11"	28' 10"	25' 6"	21' 6"	26' 7"	24' 3"	20' 5"	24' 9"	23' 2"	19' 7"	22' 0"	21' 6"	18' 2"
800S137-33	33	12	37' 10"	37' 10"	37' 10"	21' 0"	21' 0"	21' 0"	18' 10"	18' 10"	18' 10"	16' 7"	16' 7"	16' 7"	14' 10"	14' 10"	14' 10"	13' 6"	13' 6"	13' 6"	12' 5"	12' 5"	12' 5"	10' 9"	10' 9"	10' 9"
		16	32' 9"	32' 9"	32' 9"	18' 10"	18' 10"	18' 10"	15' 11"	15' 11"	15' 11"	13' 11"	13' 11"	13' 11"	12' 5"	12' 5"	12' 5"	11' 3"	11' 3"	11' 3"	10' 4"	10' 4"	10' 4"	8' 10"	8' 10"	8' 10"
		24	26' 9"	26' 9"	26' 9"	14' 10"	14' 10"	14' 10"	12' 5"	12' 5"	12' 5"	10' 9"	10' 9"	10' 9"	9' 6"	9' 6"	9' 6"	8' 6"	8' 6"	8' 6"	7' 9"	7' 9"	7' 9"	6' 6"	6' 6"	6' 6"
800S162-33	33	12	41' 0"	41' 0"	41' 0"	23' 6"	23' 6"	23' 6"	19' 11"	19' 11"	19' 11"	17' 6"	17' 6"	17' 6"	15' 8"	15' 8"	15' 8"	14' 2"	14' 2"	14' 2"	13' 0"	13' 0"	13' 0"	11' 3"	11' 3"	11' 3"
		16	35' 6"	35' 6"	35' 6"	19' 11"	19' 11"	19' 11"	16' 10"	16' 10"	16' 10"	14' 8"	14' 8"	14' 8"	13' 0"	13' 0"	13' 0"	11' 9"	11' 9"	11' 9"	10' 9"	10' 9"	10' 9"	9' 2"	9' 2"	9' 2"
		24	29' 0"	29' 0"	29' 0"	15' 8"	15' 8"	15' 8"	13' 0"	13' 0"	13' 0"	11' 3"	11' 3"	11' 3"	9' 10"	9' 10"	9' 10"	8' 10"	8' 10"	8' 10"	8' 0"	8' 0"	8' 0"	6' 8"	6' 8"	6' 8"
800S200-33	33	12	44' 0"	44' 0"	44' 0"	25' 0"	25' 0"	25' 0"	21' 1"	21' 1"	21' 1"	18' 8"	18' 8"	18' 8"	16' 3"	16' 3"	16' 3"	14' 11"	14' 11"	14' 11"	13' 8"	13' 8"	13' 8"	11' 8"	11' 8"	11' 8"
		16	38' 1"	38' 1"	38' 1"	21' 1"	21' 1"	21' 1"	17' 9"	17' 9"	17' 9"	15' 5"	15' 5"	15' 5"	13' 8"	13' 8"	13' 8"	12' 3"	12' 3"	12' 3"	11' 2"	11' 2"	11' 2"	9' 6"	9' 6"	9' 6"
		24	31' 1"	31' 1"	31' 1"	16' 6"	16' 6"	16' 6"	13' 8"	13' 8"	13' 8"	11' 8"	11' 8"	11' 8"	10' 3"	10' 3"	10' 3"	9' 1"	9' 1"	9' 1"	8' 2"	8' 2"	8' 2"	6' 10"	6' 10"	6' 10"
800S137-43	33	12	45' 10"	45' 10"	44' 0"	26' 6"	26' 6"	26' 6"	22' 11"	22' 11"	22' 11"	20' 6"	20' 6"	20' 6"	18' 9"	18' 9"	18' 9"	17' 4"	17' 4"	17' 4"	16' 3"	16' 3"	16' 3"	14' 6"	14' 6"	14' 6"
		16	39' 9"	39' 9"	39' 9"	22' 11"	22' 11"	22' 11"	19' 10"	19' 10"	19' 10"	17' 9"	17' 9"	17' 9"	16' 3"	16' 3"	16' 3"	15' 0"	15' 0"	15' 0"	14' 1"	14' 1"	14' 1"	12' 5"	12' 5"	12' 5"
		24	32' 5"	32' 5"	32' 5"	18' 9"	18' 9"	18' 9"	16' 3"	16' 3"	16' 3"	14' 6"	14' 6"	14' 6"	13' 2"	13' 2"	13' 2"	12' 1"	12' 1"	12' 1"	11' 2"	11' 2"	11' 2"	9' 10"	9' 10"	9' 10"
800S162-43	33	12	49' 5"	49' 5"	45' 10"	28' 6"	28' 6"	28' 6"	24' 9"	24' 9"	24' 9"	22' 1"	22' 1"	22' 1"	20' 2"	20' 2"	20' 2"	18' 8"	18' 8"	18' 8"	17' 6"	17' 6"	17' 6"	15' 5"	15' 5"	15' 5"
		16	42' 10"	42' 10"	41' 7"	24' 9"	24' 9"	24' 9"	21' 5"	21' 5"	21' 5"	19' 2"	19' 2"	19' 2"	17' 6"	17' 6"	17' 6"	16' 1"	16' 1"	16' 1"	14' 11"	14' 11"	14' 11"	13' 1"	13' 1"	13' 1"
		24	34' 11"	34' 11"	34' 11"	20' 2"	20' 2"	20' 2"	17' 6"	17' 6"	17' 6"	15' 5"	15' 5"	15' 5"	13' 11"	13' 11"	13' 11"	12' 9"	12' 9"	12' 9"	11' 9"	11' 9"	11' 9"	10' 4"	10' 4"	10' 4"
800S200-43	33	12	52' 11"	52' 11"	48' 2"	30' 6"	30' 6"	30' 6"	26' 5"	26' 5"	26' 5"	23' 8"	23' 8"	23' 8"	21' 7"	21' 7"	21' 7"	20' 0"	20' 0"	20' 0"	18' 8"	18' 8"	18' 8"	16' 9"	16' 9"	16' 9"
		16	45' 10"	45' 10"	43' 9"	26' 5"	26' 5"	26' 5"	22' 11"	22' 11"	22' 11"	20' 6"	20' 6"	20' 6"	18' 8"	18' 8"	18' 8"	17' 4"	17' 4"	17' 4"	16' 2"	16' 2"	16' 2"	14' 6"	14' 6"	14' 6"
		24	37' 5"	37' 5"	37' 5"	21' 7"	21' 7"	21' 7"	18' 8"	18' 8"	18' 8"	16' 9"	16' 9"	16' 9"	15' 3"	15' 3"	15' 3"	14' 1"	14' 1"	14' 1"	12' 11"	12' 11"	12' 11"	11' 3"	11' 3"	11' 3"
800S137-54	50	12	61' 7"	54' 5"	47' 7"	35' 7"	35' 7"	31' 4"	30' 10"	30' 10"	28' 6"	27' 9"	27' 9"	26' 5"	25' 2"	25' 2"	23' 3"	23' 3"	23' 3"	21' 9"	21' 9"	21' 9"	20' 2"	20' 2"	20' 2"	
		16	53' 4"	49' 4"	43' 3"	30' 10"	30' 10"	28' 6"	26' 8"	26' 8"	25' 10"	23' 10"	23' 10"	23' 10"	21' 9"	21' 9"	21' 9"	20' 2"	20' 2"	20' 2"	18' 10"	18' 10"	18' 10"	16' 10"	16' 10"	16' 10"
		24	43' 7"	43' 0"	37' 9"	25' 2"	25' 2"	24' 10"	21' 9"	21' 9"	21' 9"	19' 6"	19' 6"	19' 6"	17' 9"	17' 9"	17' 9"	16' 6"	16' 6"	16' 6"	15' 5"	15' 5"	15' 5"	13' 9"	13' 9"	13' 9"
800S162-54	50	12	66' 2"	56' 7"	49' 5"	38' 2"	38' 2"	32' 7"	33' 1"	33' 1"	29' 7"	29' 7"	29' 7"	27' 0"	27' 0"	25' 10"	25' 0"	25' 0"	24' 7"	23' 5"	23' 5"	23' 5"	20' 11"	20' 11"	20' 11"	
		16	57' 3"	51' 4"	44' 11"	33' 1"	33' 1"	29' 7"	28' 8"	28' 8"	26' 10"	25' 7"	25' 7"	24' 11"	23' 0"	23' 0"	23' 0"	21' 8"	21' 8"	21' 8"	20' 3"	20' 3"	20' 3"	18' 1"	18' 1"	18' 1"
		24	46' 9"	44' 9"	39' 3"	27' 0"	27' 0"	25' 10"	23' 5"	23' 5"	23' 5"	20' 11"	20' 11"	20' 11"	19' 1"	19' 1"	19' 1"	17' 8"	17' 8"	17' 8"	16' 6"	16' 6"	16' 6"	14' 9"	14' 9"	14' 9"
800S200-54	50	12	70' 7"	59' 3"	51' 9"	40' 9"	40' 5"	34' 1"	35' 4"	35' 4"	30' 11"	31' 7"	31' 7"	28' 9"	28' 10"	28' 10"	27' 0"	26' 8"	26' 8"	25' 8"	24' 11"	24' 11"	24' 7"	22' 4"	22' 4"	22' 4"
		16	61' 2"	53' 10"	47' 0"	35' 4"	35' 4"	30' 11"	30' 7"	30' 7"	28' 1"	27' 4"	27' 4"	26' 1"	24' 11"	24' 11"	24' 7"	23' 1"	23' 1"	23' 1"	21' 7"	21' 7"	21' 7"	19' 4"	19' 4"	19' 4"
		24	49' 11"	47' 0"	41' 1"	28' 10"	28' 10"	27' 0"	24' 11"	24' 11"	24' 7"	22' 4"	22' 4"	22' 4"	20' 5"	20' 5"	20' 5"	18' 10"	18' 10"	18' 10"	17' 8"	17' 8"	17' 8"	15' 9"	15' 9"	15' 9"
800S137-68	50	12	72' 8"	58' 5"	51' 0"	41' 11"	39' 10"	33' 7"	36' 4"	36' 2"	30' 6"	32' 6"	32' 6"	28' 4"	29' 8"	29' 8"	26' 8"	27' 5"	27' 5"	25' 4"	25' 8"	25' 8"	24' 3"	23' 0"	23' 0"	22' 6"
		16	62' 11"	53' 1"	46' 4"	36' 4"	36' 2"	30' 6"	31' 5"	31' 5"	27' 9"	28' 2"	28' 2"	25' 9"	25' 8"	25' 8"	24' 3"	23' 9"	23' 9"	23' 0"	22' 3"	22' 3"	22' 0"	19' 11"	19' 11"	19' 11"
		24	51' 4"	46' 4"	40' 6"	29' 8"	29' 8"	26' 8"	25' 8"	25' 8"	24' 3"	23' 0"	23' 0"	22' 6"	21' 0"	21' 0"	21' 0"	19' 5"	19' 5"	19' 5"	18' 2"	18' 2"	18' 2"	16' 3"	16' 3"	16' 3"
800S162-68	50	12	76' 6"	60' 9"	53' 1"	44' 9"	41' 5"	34' 11"	38' 9"	37' 8"	31' 9"	34' 8"	34' 8"	29' 6"	31' 8"	31' 8"	27' 9"	29' 4"	29' 4"	26' 4"	27' 5"	27' 5"	25' 2"	24' 6"	24' 6"	23' 5"
		16	67' 2"	55' 2"	48' 2"	38' 9"	37' 8"	31' 9"	33' 7"	33' 7"	28' 10"	30' 0"	30' 0"	26' 9"	27' 5"	27' 5"	25' 2"	25' 5"	25' 5"	23' 11"	23' 9"	23' 9"	22' 11"	21' 3"	21' 3"	21' 3"
		24	54' 10"	48' 2"	42' 1"	31' 8"	31' 8"	27' 9"	27' 5"	27' 5"	25' 2"	24' 6"	24' 6"	23' 5"	22' 5"	22' 5"	22' 0"	20' 9"	20' 9"	20' 9"	19' 5"	19' 5"	19' 5"	17' 4"	17' 4"	17' 4"
800S200-68	50	12	80' 1"	63' 7"	55' 7"	49' 4"	43' 5"	36' 7"	42' 8"	39' 5"	33' 3"	38' 2"	36' 7"	30' 10"	34' 10"	34' 5"	29' 0"	32' 3"	32' 3"	27' 7"	30' 2"	30' 2"	26' 5"	27' 0"	27' 0"	24' 6"
		16	72' 9"	57' 9"	50' 6"	42' 8"	39' 5"	33' 3"	37' 0"	35' 10"	30' 2"	33' 1"	33' 1"	28' 0"	30' 5"	23' 5"	26' 5"	27' 11"	27' 11"	25' 1"	26' 2"	26' 2"	24' 0"	23' 5"	23' 5"	22' 3"
		24	60' 5"	50' 6"	44' 1"	34' 10"	34' 5"	29' 0"	30' 2"	30' 2"																

Table Notes

1. Allowable axial loads listed in kips (1 kip = 1,000 pounds).
2. Allowable axial loads listed are based on simple one span condition.
3. Allowable axial loads determined in accordance with AISI S100 Section C5 and with the assumption that axial load passes through centroid of the effective section.
4. Allowable axial loads are based on 4'-0" on center bracing.
5. Studs are assumed to be adequately braced at a maximum spacing of L_u to develop full allowable moment, M_a .
6. Listed wind pressures represent calculated designed wind pressure (1.0 W based on 2009 or 0.6 W based on 2012 IBC). For deflection calculations, listed wind pressures have been reduced by 0.70 as allowed by IBC. The 5 psf pressure has not been reduced for deflection checks.
7. End supports have not been checked for web crippling. See web crippling tables on page 51.
8. See page 5 for additional table notes.

5 psf Lateral Load (Interior Walls)																	
Wall Height (ft)	Spacing (in) oc	350S162				362S137				362S162				362S200			
		33 ksi		50 ksi		33 ksi		50 ksi		33 ksi		50 ksi		33 ksi		50 ksi	
		33	43	54	68	33	43	54	68	33	43	54	68	33	43	54	68
8	12	1.81	2.56	3.97	5.08	1.49	2.14	3.32	4.37	1.87	2.65	4.15	5.38	2.25	3.28	5.18	6.68
	16	1.74	2.48	3.90	5.01	1.42	2.07	3.26	4.30	1.80	2.57	4.08	5.31	2.17	3.20	5.10	6.60
	24	1.58	2.32	3.76	4.87	1.29	1.93	3.13	4.17	1.65	2.42	3.94	5.17	2.01	3.03	4.94	6.45
9	12	1.67	2.38	3.65	4.67	1.38	2.01	3.11	4.07	1.74	2.48	3.86	4.99	2.10	3.07	4.79	6.17
	16	1.57	2.28	3.56	4.58	1.30	1.92	3.02	3.99	1.64	2.38	3.77	4.90	2.00	2.96	4.69	6.07
	24	1.39	2.09	3.39	4.41	1.13	1.74	2.87	3.82	1.46	2.19	3.60	4.72	1.80	2.76	4.49	5.88
10	12	1.51	2.18	3.29	4.23	1.26	1.85	2.85	3.73	1.58	2.29	3.53	4.55	1.93	2.84	4.37	5.61
	16	1.40	2.07	3.19	4.12	1.16	1.75	2.75	3.63	1.47	2.17	3.42	4.44	1.81	2.71	4.25	5.49
	24	1.19	1.84	2.99	3.92	0.96	1.54	2.57	3.44	1.26	1.95	3.22	4.23	1.57	2.47	4.01	5.27
12	12	1.18	1.75	2.56	3.31	0.99	1.51	2.27	2.97	1.25	1.87	2.79	3.60	1.56	2.32	3.45	4.44
	16	1.04 ⁴	1.61	2.44	3.18	0.86 ⁴	1.37	2.15	2.85	1.11	1.72	2.66	3.47	1.40	2.16	3.30	4.30
	24	0.79 ³	1.34 ³	2.21	2.94	0.63 ³	1.12 ³	1.93 ⁴	2.62	0.86 ³	1.44 ⁴	2.42	3.22	1.12 ³	1.86	3.03	4.03
14	12	0.86 ³	1.33	1.95	2.54	0.72 ³	1.15 ⁴	1.75	2.30	0.93 ⁴	1.44	2.14	2.78	1.18	1.81	2.64	3.43
	16	0.71 ³	1.17 ³	1.82 ⁴	2.40	0.59 ³	1.00 ³	1.62 ⁴	2.16	0.78 ³	1.28 ⁴	2.00	2.64	1.01 ³	1.63 ⁴	2.48	3.27
	24	0.46 ²	0.89 ³	1.58 ³	2.16 ³	0.34 ²	0.73 ²	1.39 ³	1.92 ³	0.52 ²	0.99 ³	1.75 ³	2.38 ⁴	0.70 ³	1.31 ³	2.19 ³	2.99
16	12	0.59 ³	0.96 ³	1.48 ⁴	1.95	0.50 ³	0.83 ³	1.33 ³	1.76 ⁴	0.65 ³	1.06 ³	1.63 ⁴	2.14	0.84 ³	1.36 ⁴	2.01	2.66
	16	0.45 ²	0.80 ³	1.35 ³	1.81 ³	0.36 ²	0.68 ²	1.20 ³	1.63 ³	0.51 ²	0.90 ³	1.49 ³	2.00 ⁴	0.67 ³	1.18 ³	1.86 ³	2.50
	24	0.21 ¹	0.54 ²	1.12 ²	1.57 ³	0.12 ¹	0.42 ¹	0.97 ²	1.39 ²	0.25 ¹	0.62 ²	1.25 ²	1.74 ³	0.38 ²	0.86 ²	1.58 ³	2.21 ³

5 psf Lateral Load (Interior Walls)																	
Wall Height (ft)	Spacing (in) oc	400S137				400S162				400S200				550S162			
		33 ksi		50 ksi		33 ksi		50 ksi		33 ksi		50 ksi		33 ksi		50 ksi	
		33	43	54	68	33	43	54	68	33	43	54	68	33	43	54	68
8	12	1.61	2.31	3.67	4.98	2.03	2.87	4.62	6.18	2.42	3.55	5.77	7.63	2.39	3.38	5.63	7.45
	16	1.55	2.25	3.61	4.91	1.96	2.80	4.55	6.11	2.34	3.48	5.70	7.56	2.34	3.33	5.58	7.41
	24	1.42	2.12	3.49	4.78	1.82	2.66	4.42	5.97	2.19	3.32	5.54	7.41	2.24	3.23	5.49	7.32
9	12	1.52	2.20	3.49	4.79	1.91	2.72	4.37	5.85	2.28	3.37	5.43	7.19	2.32	3.31	5.55	7.41
	16	1.44	2.12	3.42	4.70	1.82	2.63	4.28	5.76	2.19	3.27	5.33	7.10	2.26	3.24	5.49	7.35
	24	1.28	1.95	3.27	4.54	1.65	2.46	4.11	5.59	2.00	3.08	5.14	6.91	2.13	3.12	5.38	7.24
10	12	1.41	2.07	3.28	4.49	1.77	2.56	4.08	5.47	2.13	3.16	5.04	6.70	2.25	3.22	5.41	7.35
	16	1.31	1.97	3.19	4.38	1.67	2.45	3.97	5.36	2.01	3.04	4.92	6.58	2.16	3.14	5.34	7.27
	24	1.12	1.77	3.00	4.18	1.46	2.23	3.77	5.14	1.79	2.81	4.69	6.34	2.00	2.99	5.19	7.12
12	12	1.16	1.76	2.77	3.75	1.46	2.17	3.41	4.54	1.79	2.69	4.19	5.57	2.05	3.00	5.04	6.87
	16	1.03	1.62	2.64	3.61	1.32	2.02	3.27	4.39	1.63	2.53	4.03	5.41	1.93	2.89	4.93	6.76
	24	0.80 ³	1.36 ⁴	2.40	3.35	1.06 ⁴	1.74	3.01	4.12	1.35	2.22	3.74	5.11	1.71	2.68	4.71	6.54
14	12	0.90 ⁴	1.41	2.22	2.96	1.14	1.75	2.71	3.57	1.43	2.19	3.32	4.39	1.81	2.72	4.54	6.23
	16	0.75 ³	1.25 ⁴	2.08	2.80	0.98 ³	1.58	2.55	3.41	1.25 ⁴	2.00	3.14	4.21	1.66	2.57	4.39	6.07
	24	0.49 ²	0.96 ³	1.81 ³	2.52 ⁴	0.70 ³	1.26 ³	2.27 ⁴	3.10	0.92 ³	1.65 ⁴	2.82	3.88	1.37	2.29	4.11	5.78
16	12	0.65 ³	1.08 ³	1.74	2.30	0.84 ³	1.35 ⁴	2.12	2.78	1.07 ⁴	1.71	2.60	3.42	1.53	2.39	3.95	5.45
	16	0.50 ²	0.91 ³	1.59 ³	2.14 ⁴	0.68 ³	1.17 ³	1.96 ⁴	2.61	0.89 ³	1.51 ⁴	2.41	3.24	1.35	2.20	3.77	5.26
	24	0.23 ¹	0.61 ²	1.32 ³	1.86 ³	0.39 ²	0.85 ²	1.67 ³	2.31 ³	0.56 ²	1.16 ³	2.09 ³	2.91 ⁴	1.02 ³	1.87	3.43	4.90

If no note, deflection meets L/720

¹Deflection meets L/120

²Deflection meets L/240

³Deflection meets L/360

⁴Deflection meets L/600

Combined Axial and Lateral Loads

5 psf Lateral Load (Interior Walls)																
Wall Height (ft)	Spacing (in) oc.	600S137					600S162					600S200				
		33 ksi		50 ksi			33 ksi		50 ksi			33 ksi		50 ksi		
		33	43	54	68	97	33	43	54	68	97	33	43	54	68	97
8	12	1.77	2.51	3.81	5.05	7.54	2.42	3.40	5.61	7.45	11.39	2.86	4.31	7.46	9.97	15.65
	16	1.73	2.47	3.78	5.02	7.52	2.37	3.35	5.57	7.41	11.35	2.81	4.26	7.41	9.93	15.60
	24	1.65	2.39	3.72	4.96	7.46	2.28	3.27	5.49	7.33	11.28	2.72	4.16	7.31	9.83	15.51
9	12	1.74	2.47	3.78	5.02	7.52	2.38	3.36	5.57	7.41	11.35	2.80	4.23	7.31	9.79	15.39
	16	1.69	2.43	3.74	4.98	7.48	2.32	3.30	5.52	7.36	11.31	2.74	4.16	7.25	9.73	15.33
	24	1.59	2.33	3.66	4.90	7.41	2.20	3.19	5.42	7.26	11.21	2.62	4.03	7.12	9.61	15.20
10	12	1.70	2.44	3.75	4.99	7.49	2.33	3.31	5.53	7.37	11.31	2.73	4.13	7.14	9.58	15.07
	16	1.63	2.37	3.70	4.94	7.44	2.25	3.24	5.46	7.30	11.25	2.65	4.05	7.05	9.50	14.99
	24	1.51	2.25	3.59	4.83	7.36	2.10	3.11	5.33	7.17	11.12	2.50	3.88	6.89	9.35	14.83
12	12	1.60	2.34	3.66	4.90	7.41	2.17	3.15	5.35	7.25	11.19	2.55	3.88	6.67	9.00	14.21
	16	1.51	2.25	3.59	4.82	7.34	2.06	3.05	5.25	7.15	11.09	2.44	3.76	6.55	8.89	14.09
	24	1.33	2.07	3.43	4.67	7.21	1.85	2.85	5.05	6.95	10.89	2.22	3.53	6.31	8.66	13.85
14	12	1.48	2.22	3.55	4.79	7.31	1.95	2.91	4.93	6.77	10.96	2.32	3.56	6.07	8.26	13.08
	16	1.36	2.09	3.44	4.67	7.20	1.81	2.78	4.80	6.63	10.80	2.17	3.40	5.91	8.10	12.91
	24	1.11	1.85	3.21	4.45	7.00	1.54	2.51	4.53	6.35	10.49	1.89	3.09	5.59	7.79	12.58
16	12	1.34	2.07	3.40	4.63	7.15	1.71	2.62	4.41	6.10	9.89	2.05	3.18	5.38	7.38	11.74
	16	1.18	1.90	3.24	4.46	7.00	1.53	2.45	4.24	5.91	9.68	1.87	2.98	5.18	7.17	11.52
	24	0.87 ³	1.59	2.95	4.16	6.71	1.20 ⁴	2.12	3.91	5.57	9.28	1.52	2.61	4.79	6.79	11.09

5 psf Lateral Load (Interior Walls)															
Wall Height (ft)	Spacing (in) oc.	800S137				800S162					800S200				
		33 ksi		50 ksi		33 ksi		50 ksi			33 ksi		50 ksi		
		43	54	68	97	43	54	68	97	118	43	54	68	97	118
8	12	2.43	3.57	4.74	7.21	3.35	5.43	7.25	11.25	14.30	4.47	7.74	10.29	15.98	20.46
	16	2.40	3.55	4.72	7.19	3.32	5.40	7.22	11.23	14.28	4.44	7.71	10.25	15.95	20.43
	24	2.35	3.50	4.68	7.16	3.26	5.35	7.16	11.17	14.23	4.36	7.64	10.19	15.88	20.37
9	12	2.40	3.55	4.73	7.20	3.33	5.41	7.22	11.23	14.28	4.44	7.71	10.26	15.95	20.43
	16	2.37	3.52	4.70	7.17	3.29	5.37	7.19	11.20	14.25	4.39	7.67	10.21	15.91	20.39
	24	2.30	3.47	4.65	7.12	3.21	5.30	7.12	11.13	14.19	4.30	7.57	10.13	15.83	20.31
10	12	2.38	3.53	4.71	7.18	3.30	5.38	7.19	11.20	14.26	4.41	7.68	10.22	15.92	20.40
	16	2.34	3.49	4.67	7.15	3.25	5.33	7.15	11.16	14.22	4.35	7.62	10.17	15.87	20.35
	24	2.26	3.43	4.61	7.09	3.15	5.24	7.06	11.07	14.14	4.23	7.50	10.06	15.76	20.25
12	12	2.32	3.48	4.66	7.13	3.22	5.31	7.13	11.14	14.20	4.32	7.59	10.14	15.84	20.32
	16	2.26	3.43	4.61	7.09	3.15	5.24	7.06	11.07	14.14	4.23	7.50	10.06	15.76	20.24
	24	2.14	3.33	4.51	7.00	3.00	5.11	6.93	10.94	14.03	4.06	7.32	9.90	15.60	20.08
14	12	2.25	3.42	4.60	7.08	3.13	5.22	7.04	11.05	14.12	4.16	7.36	9.96	15.72	20.20
	16	2.16	3.35	4.53	7.01	3.03	5.13	6.94	10.95	14.03	4.04	7.24	9.84	15.61	20.09
	24	2.00	3.21	4.40	6.88	2.83	4.94	6.76	10.76	13.87	3.80	6.99	9.61	15.38	19.86
16	12	2.16	3.34	4.52	7.00	3.02	5.11	6.93	10.93	14.01	3.93	6.95	9.45	15.15	19.78
	16	2.05	3.25	4.43	6.91	2.89	4.98	6.80	10.80	13.89	3.77	6.78	9.30	15.00	19.62
	24	1.83	3.06	4.25	6.74	2.62	4.72	6.54	10.53	13.66	3.46	6.46	9.00	14.68	19.29

15 psf Lateral Load																	
Wall Height (ft)	Spacing (in) oc.	350S162				362S137				362S162				362S200			
		33 ksi		50 ksi		33 ksi		50 ksi		33 ksi		50 ksi		33 ksi		50 ksi	
		33	43	54	68	33	43	54	68	33	43	54	68	33	43	54	68
8	12	1.37	2.10	3.56	4.66	1.09	1.72	2.95	3.98	1.44	2.20	3.74	4.96	1.77	2.79	4.71	6.22
	16	1.16	1.89	3.36	4.46	0.91	1.53	2.77	3.80	1.23	1.99	3.55	4.76	1.55	2.56	4.49	6.01
	24	0.78	1.49	2.99	4.08	0.56 ⁴	1.16	2.43	3.44	0.85	1.59	3.17	4.38	1.13	2.13	4.06	5.58
9	12	1.13	1.82	3.14	4.16	0.90	1.49	2.64	3.59	1.21	1.93	3.35	4.47	1.51	2.47	4.21	5.60
	16	0.90	1.57	2.91	3.92	0.68	1.26	2.43	3.37	0.97	1.68	3.12	4.23	1.25	2.19	3.94	5.34
	24	0.46 ³	1.11 ⁴	2.48	3.48	0.28 ³	0.83 ⁴	2.03	2.94	0.53 ³	1.21	2.68	3.77	0.77 ⁴	1.68	3.44	4.84
10	12	0.90	1.53	2.71	3.63	0.70 ⁴	1.25	2.31	3.16	0.97	1.64	2.94	3.94	1.25	2.13	3.69	4.95
	16	0.64 ³	1.25	2.45	3.37	0.46 ³	0.99 ⁴	2.07	2.91	0.71 ⁴	1.36	2.67	3.66	0.95	1.82	3.38	4.65
	24	0.17 ³	0.74 ³	1.99 ⁴	2.88	-	0.51 ³	1.62 ³	2.44 ⁴	0.23 ³	0.84 ³	2.18 ⁴	3.15	0.42 ³	1.25 ⁴	2.83	4.09
12	12	0.47 ³	0.98 ³	1.90 ⁴	2.62	0.33 ³	0.78 ³	1.63 ⁴	2.30	0.53 ³	1.08 ⁴	2.10	2.88	0.74 ³	1.46	2.65	3.66
	16	0.18 ²	0.67 ³	1.62 ³	2.33 ⁴	-	0.48 ³	1.36 ³	2.02 ⁴	0.24 ²	0.76 ³	1.81 ³	2.58 ⁴	0.41 ³	1.11 ³	2.32 ⁴	3.32
	24	-	0.13 ²	1.13 ²	1.81 ³	-	-	0.89 ²	1.51 ³	-	0.20 ²	1.29 ³	2.03 ³	-	0.49 ³	1.73 ³	2.72 ³
14	12	0.13 ²	0.53 ²	1.27 ³	1.83 ³	-	0.38 ²	1.08 ³	1.60 ³	0.18 ²	0.61 ³	1.42 ³	2.03 ³	0.32 ²	0.90 ³	1.82 ³	2.61 ⁴
	16	-	0.22 ²	1.00 ²	1.54 ³	-	-	0.82 ²	1.31 ³	-	0.29 ²	1.14 ²	1.73 ³	-	0.54 ²	1.49 ³	2.28 ³
	24	-	-	0.53 ¹	1.04 ²	-	-	0.35 ¹	0.82 ²	-	-	0.64 ¹	1.19 ²	-	-	0.92 ²	1.69 ²
16	12	-	0.20 ¹	0.82 ²	1.26 ³	-	-	0.68 ²	1.07 ²	-	0.26 ²	0.93 ²	1.41 ³	-	0.46 ²	1.22 ³	1.85 ³
	16	-	-	0.57 ¹	0.98 ²	-	-	0.42 ¹	0.80 ²	-	-	0.66 ¹	1.12 ²	-	0.12 ¹	0.91 ²	1.53 ²
	24	-	-	0.13 ¹	0.51 ¹	-	-	-	0.34 ¹	-	-	0.19 ¹	0.62 ¹	-	-	0.38 ¹	0.97 ¹

If no note, deflection meets L/720

¹Deflection meets L/120

²Deflection meets L/240

³Deflection meets L/360

⁴Deflection meets L/600

See Table Notes on page 31.

Combined Axial and Lateral Loads



15 psf Lateral Load

Wall Height (ft)	Spacing (in) oc	400S137				400S162				400S200				550S162			
		33 ksi		50 ksi		33 ksi		50 ksi		33 ksi		50 ksi		33 ksi		50 ksi	
		33	43	54	68	33	43	54	68	33	43	54	68	33	43	54	68
8	12	1.24	1.92	3.32	4.60	1.62	2.45	4.22	5.77	1.97	3.10	5.32	7.19	2.08	3.09	5.36	7.19
	16	1.06	1.74	3.14	4.41	1.42	2.25	4.04	5.57	1.76	2.88	5.10	6.97	1.93	2.95	5.22	7.06
	24	0.72	1.38	2.81	4.06	1.05	1.86	3.67	5.18	1.35	2.46	4.68	6.55	1.64	2.68	4.96	6.80
9	12	1.05	1.71	3.05	4.30	1.40	2.20	3.87	5.33	1.73	2.80	4.86	6.63	1.94	2.94	5.20	7.07
	16	0.84	1.49	2.83	4.07	1.17	1.95	3.64	5.08	1.47	2.53	4.59	6.36	1.75	2.77	5.03	6.90
	24	0.44 ⁴	1.06	2.43	3.63	0.73 ⁴	1.49	3.20	4.61	0.99	2.03	4.09	5.84	1.38	2.42	4.69	6.56
10	12	0.86	1.49	2.74	3.89	1.17	1.93	3.48	4.83	1.47	2.48	4.36	6.01	1.77	2.77	4.97	6.90
	16	0.62 ⁴	1.22	2.49	3.62	0.90	1.64	3.21	4.54	1.18	2.17	4.05	5.69	1.54	2.56	4.76	6.69
	24	0.17 ³	0.74 ³	2.03 ⁴	3.11	0.41 ³	1.12 ⁴	2.70	3.99	0.64 ⁴	1.59	3.47	5.09	1.10	2.14	4.34	6.26
12	12	0.48 ³	1.01 ⁴	2.08	2.99	0.72 ⁴	1.37	2.65	3.73	0.96 ⁴	1.81	3.33	4.69	1.39	2.36	4.40	6.22
	16	0.19 ³	0.70 ³	1.78 ⁴	2.67	0.41 ³	1.03 ³	2.33 ⁴	3.38	0.61 ³	1.44 ⁴	2.96	4.31	1.08	2.07	4.10	5.91
	24	-	0.14 ²	1.25 ³	2.09 ³	-	0.43 ³	1.75 ³	2.76 ³	-	0.78 ³	2.31 ³	3.62 ⁴	0.52 ⁴	1.51	3.54	5.32
14	12	0.15 ²	0.58 ³	1.46 ³	2.15 ⁴	0.33 ³	0.86 ³	1.89 ³	2.70	0.50 ³	1.21 ³	2.39 ⁴	3.44	0.97	1.90	3.71	5.36
	16	-	0.25 ²	1.15 ³	1.82 ³	-	0.50 ³	1.56 ³	2.35 ³	0.14 ²	0.81 ³	2.01 ³	3.05 ⁴	0.61 ³	1.53	3.34	4.97
	24	-	-	0.62 ²	1.24 ²	-	-	0.98 ²	1.72 ³	-	0.13 ²	1.36 ²	2.36 ³	-	0.87 ³	2.66 ⁴	4.24
16	12	-	0.23 ²	0.97 ²	1.49 ³	-	0.44 ²	1.30 ³	1.92 ³	0.14 ²	0.71 ³	1.67 ³	2.48 ³	0.58 ³	1.41 ⁴	2.98	4.42
	16	-	-	0.67 ²	1.17 ²	-	-	0.98 ²	1.58 ³	-	0.32 ²	1.30 ²	2.10 ³	0.18 ³	1.00 ³	2.57 ⁴	3.97
	24	-	-	0.16 ¹	0.62 ¹	-	-	0.42 ¹	0.98 ²	-	-	0.68 ¹	1.45 ²	-	0.28 ²	1.83 ³	3.18 ³

15 psf Lateral Load

Wall Height (ft)	Spacing (in) oc	600S137					600S162					600S200				
		33 ksi		50 ksi			33 ksi		50 ksi			33 ksi		50 ksi		
		33	43	54	68	97	33	43	54	68	97	33	43	54	68	97
8	12	1.54	2.28	3.62	4.86	7.38	2.14	3.14	5.37	7.22	11.17	2.57	4.01	7.16	9.69	15.37
	16	1.42	2.17	3.53	4.77	7.30	2.00	3.02	5.25	7.10	11.06	2.43	3.86	7.01	9.55	15.23
	24	1.19	1.95	3.34	4.58	7.14	1.73	2.77	5.02	6.87	10.83	2.15	3.56	6.71	9.27	14.95
9	12	1.44	2.18	3.54	4.78	7.31	2.02	3.03	5.26	7.11	11.06	2.43	3.84	6.92	9.43	15.02
	16	1.29	2.04	3.41	4.66	7.21	1.85	2.87	5.11	6.96	10.91	2.26	3.65	6.73	9.25	14.84
	24	1.01	1.76	3.17	4.42	7.00	1.51	2.56	4.81	6.67	10.62	1.90	3.27	6.35	8.89	14.48
10	12	1.33	2.07	3.44	4.68	7.22	1.89	2.91	5.14	6.98	10.93	2.28	3.65	6.65	9.12	14.60
	16	1.15	1.90	3.28	4.53	7.09	1.67	2.71	4.94	6.79	10.74	2.06	3.41	6.41	8.89	14.37
	24	0.80	1.55	2.98	4.23	6.83	1.26	2.32	4.57	6.42	10.37	1.63	2.96	5.94	8.45	13.91
12	12	1.07	1.81	3.20	4.44	7.00	1.54	2.56	4.76	6.66	10.59	1.91	3.19	5.96	8.33	13.50
	16	0.82	1.56	2.97	4.21	6.80	1.25	2.28	4.48	6.37	10.29	1.60	2.86	5.63	8.00	13.16
	24	0.35 ⁴	1.08	2.54	3.78	6.41	0.70	1.75	3.94	5.82	9.73	1.03	2.24	4.98	7.37	12.50
14	12	0.78	1.50	2.89	4.12	6.70	1.15	2.13	4.15	5.95	10.05	1.49	2.65	5.14	7.34	12.10
	16	0.46 ⁴	1.17	2.59	3.81	6.42	0.79	1.78	3.79	5.58	9.63	1.11	2.24	4.71	6.92	11.64
	24	-	0.57 ³	2.02 ⁴	3.22	5.87	0.14 ³	1.12 ⁴	3.11	4.87	8.83	0.42 ³	1.48	3.92	6.13	10.77
16	12	0.46 ³	1.16	2.53	3.73	6.31	0.75 ⁴	1.67	3.45	5.08	8.73	1.05	2.09	4.26	6.25	10.49
	16	-	0.76 ³	2.15 ⁴	3.33	5.92	0.35 ³	1.26 ⁴	3.03	4.64	8.21	0.62 ³	1.62	3.76	5.75	9.94
	24	-	-	1.47 ³	2.61 ³	5.21	-	0.51 ³	2.28 ³	3.82 ⁴	7.28	-	0.76 ³	2.88 ⁴	4.84	8.92

15 psf Lateral Load

Wall Height (ft)	Spacing (in) oc	800S137				800S162				800S200					
		33 ksi		50 ksi		33 ksi		50 ksi		33 ksi		50 ksi			
		43	54	68	97	43	54	68	97	118	43	54	68	97	118
8	12	2.27	3.44	4.62	7.10	3.17	5.26	7.08	11.09	14.16	4.25	7.53	10.09	15.79	20.28
	16	2.19	3.38	4.56	7.04	3.07	5.18	7.00	11.01	14.09	4.14	7.42	9.99	15.70	20.19
	24	2.03	3.25	4.44	6.93	2.89	5.01	6.83	10.85	13.95	3.93	7.21	9.80	15.51	20.00
9	12	2.20	3.39	4.57	7.05	3.09	5.19	7.01	11.02	14.10	4.16	7.44	10.00	15.71	20.20
	16	2.10	3.31	4.49	6.98	2.97	5.08	6.90	10.92	14.01	4.02	7.30	9.88	15.59	20.08
	24	1.91	3.14	4.34	6.83	2.73	4.87	6.69	10.71	13.83	3.74	7.02	9.63	15.35	19.84
10	12	2.13	3.33	4.51	6.99	3.00	5.11	6.93	10.94	14.03	4.06	7.33	9.90	15.61	20.10
	16	2.01	3.22	4.42	6.90	2.85	4.97	6.80	10.81	13.92	3.88	7.15	9.75	15.46	19.95
	24	1.76	3.02	4.22	6.72	2.56	4.70	6.53	10.55	13.69	3.54	6.81	9.43	15.16	19.65
12	12	1.96	3.18	4.37	6.86	2.79	4.91	6.73	10.74	13.85	3.80	7.06	9.66	15.37	19.85
	16	1.78	3.03	4.23	6.72	2.57	4.71	6.53	10.55	13.68	3.55	6.81	9.42	15.14	19.62
	24	1.43	2.74	3.95	6.45	2.15	4.31	6.14	10.16	13.33	3.05	6.30	8.95	14.68	19.16
14	12	1.75	3.00	4.20	6.69	2.53	4.65	6.48	10.48	13.62	3.45	6.63	9.27	15.04	19.52
	16	1.51	2.80	4.00	6.50	2.24	4.38	6.20	10.20	13.37	3.11	6.28	8.94	14.71	19.18
	24	1.04	2.40	3.61	6.12	1.68	3.84	5.66	9.65	12.88	2.46	5.59	8.29	14.05	18.52
16	12	1.51	2.79	3.99	6.48	2.23	4.35	6.16	10.14	13.31	3.02	6.00	8.55	14.22	18.82
	16	1.20	2.53	3.73	6.22	1.86	3.98	5.80	9.77	12.96	2.59	5.55	8.12	13.78	18.35
	24	0.61	2.02	3.22	5.73	1.15	3.29	5.09	9.03	12.29	1.79	4.71	7.30	12.92	17.45

If no note, deflection meets L/240

¹Deflection meets L/120

²Deflection meets L/240

³Deflection meets L/360

⁴Deflection meets L/600

See Table Notes on page 31.



Combined Axial and Lateral Loads

Wall Height (ft)		Spacing (in) oc		20 psf Lateral Load															
				350S162				362S137				362S162				362S200			
				33 ksi		50 ksi		33 ksi		50 ksi		33 ksi		50 ksi		33 ksi		50 ksi	
				33	43	54	68	33	43	54	68	33	43	54	68	33	43	54	68
8	12	1.16	1.89	3.36	4.46	0.91	1.53	2.77	3.80	1.23	1.99	3.55	4.76	1.55	2.56	4.49	6.01		
	16	0.90	1.62	3.11	4.21	0.67	1.28	2.54	3.56	0.98	1.72	3.30	4.50	1.27	2.27	4.20	5.72		
	24	0.43 ³	1.11 ⁴	2.64	3.72	0.24 ³	0.81 ⁴	2.11	3.10	0.50 ⁴	1.21	2.82	4.01	0.74 ⁴	1.71	3.65	5.18		
9	12	0.90	1.57	2.91	3.92	0.68	1.26	2.43	3.37	0.97	1.68	3.12	4.23	1.25	2.19	3.94	5.34		
	16	0.60 ³	1.26	2.62	3.62	0.41 ³	0.97 ⁴	2.16	3.08	0.67 ⁴	1.36	2.82	3.92	0.92	1.85	3.60	5.00		
	24	-	0.69 ³	2.08 ⁴	3.06	-	0.44 ³	1.66 ³	2.55 ⁴	0.13 ³	0.78 ³	2.27 ⁴	3.34	0.32 ³	1.21 ⁴	2.97	4.37		
10	12	0.64 ³	1.25	2.45	3.37	0.46 ³	0.99 ⁴	2.07	2.91	0.71 ⁴	1.36	2.67	3.66	0.95	1.82	3.38	4.65		
	16	0.32 ³	0.91 ³	2.14 ⁴	3.03	0.16 ³	0.66 ³	1.77 ⁴	2.59	0.38 ³	1.01 ³	2.34	3.32	0.59 ³	1.43 ⁴	3.00	4.27		
	24	-	0.29 ³	1.56 ³	2.43 ³	-	-	1.22 ³	2.01 ³	-	0.38 ³	1.74 ³	2.69 ⁴	-	0.74 ³	2.32 ³	3.58 ⁴		
12	12	0.18 ²	0.67 ³	1.62 ³	2.33 ⁴	-	0.48 ³	1.36 ³	2.02 ⁴	0.24 ²	0.76 ³	1.81 ³	2.58 ⁴	0.41 ³	1.11 ³	2.32 ⁴	3.32		
	16	-	0.30 ²	1.29 ³	1.97 ³	-	0.13 ²	1.04 ³	1.67 ³	-	0.38 ²	1.45 ³	2.20 ³	-	0.69 ³	1.92 ³	2.91 ⁴		
	24	-	-	0.70 ²	1.35 ²	-	-	0.48 ²	1.06 ²	-	-	0.84 ²	1.55 ²	-	-	1.21 ²	2.19 ³		
14	12	-	0.22 ²	1.00 ²	1.54 ³	-	-	0.82 ²	1.31 ³	-	0.29 ²	1.14 ²	1.73 ³	-	0.54 ²	1.49 ³	2.28 ³		
	16	-	-	0.68 ²	1.20 ²	-	-	0.50 ¹	0.97 ²	-	-	0.79 ²	1.36 ²	-	0.12 ²	1.10 ²	1.88 ³		
	24	-	-	0.13 ¹	0.60 ¹	-	-	-	0.39 ¹	-	-	0.21 ¹	0.73 ¹	-	-	0.43 ¹	1.18 ²		
16	12	-	-	0.57 ¹	0.98 ²	-	-	0.42 ¹	0.80 ²	-	-	0.66 ¹	1.12 ²	-	0.12 ¹	0.91 ²	1.53 ²		
	16	-	-	0.26 ¹	0.66 ¹	-	-	0.13 ¹	0.49 ¹	-	-	0.34 ¹	0.77 ¹	-	-	0.54 ¹	1.15 ²		
	24	-	-	-	0.11 ¹	-	-	-	-	-	-	-	0.19 ¹	-	-	-	0.50 ¹		

Wall Height (ft)		Spacing (in) oc		20 psf Lateral Load															
				400S137				400S162				400S200				550S162			
				33 ksi		50 ksi		33 ksi		50 ksi		33 ksi		50 ksi		33 ksi		50 ksi	
				33	43	54	68	33	43	54	68	33	43	54	68	33	43	54	68
8	12	1.06	1.74	3.14	4.41	1.42	2.25	4.04	5.57	1.76	2.88	5.10	6.97	1.93	2.95	5.22	7.06		
	16	0.83	1.50	2.92	4.18	1.17	1.99	3.79	5.31	1.48	2.60	4.82	6.69	1.74	2.77	5.05	6.89		
	24	0.40 ⁴	1.04	2.50	3.72	0.70	1.50	3.32	4.81	0.97	2.06	4.28	6.14	1.35	2.41	4.70	6.55		
9	12	0.84	1.49	2.83	4.07	1.17	1.95	3.64	5.08	1.47	2.53	4.59	6.36	1.75	2.77	5.03	6.90		
	16	0.57 ⁴	1.20	2.56	3.77	0.87	1.64	3.34	4.76	1.15	2.19	4.25	6.01	1.50	2.54	4.80	6.67		
	24	-	0.67 ³	2.06	3.21	0.33 ³	1.07 ⁴	2.78	4.16	0.55 ⁴	1.56	3.61	5.35	1.03	2.09	4.36	6.23		
10	12	0.62 ⁴	1.22	2.49	3.62	0.90	1.64	3.21	4.54	1.18	2.17	4.05	5.69	1.54	2.56	4.76	6.69		
	16	0.31 ³	0.89 ⁴	2.18	3.28	0.57 ³	1.29	2.87	4.17	0.81 ⁴	1.78	3.66	5.29	1.24	2.28	4.48	6.40		
	24	-	0.30 ³	1.61 ³	2.65 ⁴	-	0.64 ³	2.24 ⁴	3.48	0.15 ³	1.07 ³	2.94	4.54	0.69	1.74	3.94	5.85		
12	12	0.19 ³	0.70 ³	1.78 ⁴	2.67	0.41 ³	1.03 ³	2.33 ⁴	3.38	0.61 ³	1.44 ⁴	2.96	4.31	1.08	2.07	4.10	5.91		
	16	-	0.32 ³	1.42 ³	2.27 ³	-	0.62 ³	1.94 ³	2.96 ⁴	0.20 ³	0.99 ³	2.52 ⁴	3.84	0.70 ⁴	1.69	3.72	5.51		
	24	-	-	0.79 ²	1.58 ³	-	-	1.25 ²	2.20 ³	-	0.20 ²	1.73 ³	3.00 ³	-	0.99 ⁴	3.01	4.76		
14	12	-	0.25 ²	1.15 ³	1.82 ³	-	0.50 ³	1.56 ³	2.35 ³	0.14 ²	0.81 ³	2.01 ³	3.05 ⁴	0.61 ³	1.53	3.34	4.97		
	16	-	-	0.79 ²	1.42 ²	-	-	1.16 ²	1.92 ³	-	0.35 ²	1.57 ³	2.58 ³	0.17 ³	1.08 ³	2.88 ⁴	4.48		
	24	-	-	0.16 ¹	0.73 ¹	-	-	0.48 ¹	1.18 ²	-	-	0.79 ²	1.76 ²	-	0.26 ³	2.05 ³	3.59 ³		
16	12	-	-	0.67 ²	1.17 ²	-	-	0.98 ²	1.58 ³	-	0.32 ²	1.30 ²	2.10 ³	0.18 ³	1.00 ³	2.57 ⁴	3.97		
	16	-	-	0.32 ¹	0.80 ²	-	-	0.60 ¹	1.17 ²	-	-	0.87 ²	1.65 ²	-	0.51 ³	2.07 ³	3.43 ³		
	24	-	-	-	0.15 ¹	-	-	-	0.48 ¹	-	-	0.14 ¹	0.89 ¹	-	-	1.19 ²	2.48 ³		

Wall Height (ft)		Spacing (in) oc		20 psf Lateral Load															
				600S137					600S162					600S200					
				33 ksi		50 ksi			33 ksi		50 ksi			33 ksi		50 ksi			
				33	43	54	68	97	33	43	54	68	97	33	43	54	68	97	
8	12	1.42	2.17	3.53	4.77	7.30	2.00	3.02	5.25	7.10	11.06	2.43	3.86	7.01	9.55	15.23			
	16	1.27	2.02	3.40	4.65	7.20	1.82	2.85	5.10	6.95	10.91	2.25	3.66	6.81	9.36	15.04			
	24	0.97	1.73	3.15	4.40	6.99	1.47	2.53	4.79	6.65	10.61	1.88	3.27	6.42	9.00	14.67			
9	12	1.29	2.04	3.41	4.66	7.21	1.85	2.87	5.11	6.96	10.91	2.26	3.65	6.73	9.25	14.84			
	16	1.10	1.85	3.25	4.50	7.07	1.62	2.66	4.91	6.76	10.72	2.02	3.40	6.48	9.01	14.60			
	24	0.73	1.48	2.93	4.18	6.80	1.18	2.25	4.51	6.38	10.34	1.56	2.91	5.98	8.54	14.12			
10	12	1.15	1.90	3.28	4.53	7.09	1.67	2.71	4.94	6.79	10.74	2.06	3.41	6.41	8.89	14.37			
	16	0.92	1.67	3.08	4.33	6.92	1.40	2.45	4.69	6.55	10.50	1.77	3.11	6.10	8.59	14.06			
	24	0.47	1.22	2.69	3.94	6.58	0.86	1.94	4.20	6.06	10.01	1.22	2.51	5.49	8.01	13.47			
12	12	0.82	1.56	2.97	4.21	6.80	1.25	2.28	4.48	6.37	10.29	1.60	2.86	5.63	8.00	13.16			
	16	0.50	1.24	2.68	3.92	6.54	0.88	1.92	4.11	6.00	9.91	1.22	2.44	5.19	7.58	12.72			
	24	-	0.63 ⁴	2.13	3.36	6.03	0.19 ³	1.24	3.43	5.30	9.18	0.50 ⁴	1.66	4.37	6.77	11.86			
14	12	0.46 ⁴	1.17	2.59	3.81	6.42	0.79	1.78	3.79	5.58	9.63	1.11	2.24	4.71	6.92	11.64			
	16	-	0.76 ⁴	2.21	3.42	6.05	0.35 ³	1.33 ⁴	3.33	5.10	9.09	0.64 ⁴	1.73	4.18	6.38	11.06			
	24	-	0.01 ³	1.50 ³	2.68 ⁴	5.35	-	0.52 ³	2.49 ³	4.21	8.09	-	0.79 ³	3.19 ⁴	5.39	9.97			
16	12	-	0.76 ³	2.15 ⁴	3.33	5.92	0.35 ³	1.26 ⁴	3.03	4.64	8.21	0.62 ³	1.62	3.76	5.75	9.94			
	16	-	0.28 ³	1.69 ³	2.84 ⁴	5.44	-	0.75 ³	2.52 ³	4.08	7.58	0.10 ³	1.04 ³	3.16 ⁴	5.13	9.25			
	24	-	-	0.85 ²	1.95 ³	4.56 ³	-	-	1.60 ³	3.09 ³	6.44 ⁴	-	-	2.09 ³	4.03 ³	8.00			

If no note, deflection meets L/720

- ¹Deflection meets L/120
- ²Deflection meets L/240
- ³Deflection meets L/360
- ⁴Deflection meets L/600

See Table Notes on page 31.



20 psf Lateral Load

Wall Height (ft)	Spacing (in) oc	800S137				800S162				800S200					
		33 ksi		50 ksi		33 ksi		50 ksi		33 ksi		50 ksi			
		43	54	68	97	43	54	68	97	118	43	54	68	97	118
8	12	2.19	3.38	4.56	7.04	3.07	5.18	7.00	11.01	14.09	4.14	7.42	9.99	15.70	20.19
	16	2.09	3.29	4.48	6.97	2.95	5.06	6.89	10.91	14.00	4.00	7.28	9.86	15.57	20.06
	24	1.88	3.12	4.32	6.81	2.70	4.84	6.67	10.69	13.81	3.71	6.99	9.60	15.33	19.82
9	12	2.10	3.31	4.49	6.98	2.97	5.08	6.90	10.92	14.01	4.02	7.30	9.88	15.59	20.08
	16	1.97	3.20	4.39	6.88	2.81	4.94	6.76	10.78	13.89	3.84	7.11	9.71	15.43	19.92
	24	1.71	2.98	4.18	6.68	2.50	4.65	6.48	10.51	13.65	3.47	6.75	9.38	15.11	19.60
10	12	2.01	3.22	4.42	6.90	2.85	4.97	6.80	10.81	13.92	3.88	7.15	9.75	15.46	19.95
	16	1.84	3.09	4.29	6.78	2.65	4.79	6.62	10.64	13.76	3.65	6.92	9.54	15.26	19.75
	24	1.52	2.83	4.03	6.54	2.27	4.43	6.27	10.29	13.46	3.20	6.47	9.12	14.85	19.35
12	12	1.78	3.03	4.23	6.72	2.57	4.71	6.53	10.55	13.68	3.55	6.81	9.42	15.14	19.62
	16	1.54	2.84	4.04	6.54	2.29	4.44	6.27	10.29	13.45	3.22	6.47	9.11	14.83	19.32
	24	1.09	2.46	3.67	6.19	1.74	3.93	5.76	9.77	12.99	2.57	5.81	8.49	14.22	18.71
14	12	1.51	2.80	4.00	6.50	2.24	4.38	6.20	10.20	13.37	3.11	6.28	8.94	14.71	19.18
	16	1.19	2.54	3.74	6.25	1.86	4.02	5.84	9.84	13.04	2.67	5.82	8.50	14.27	18.74
	24	0.59	2.02	3.24	5.76	1.14	3.32	5.14	9.12	12.40	1.83	4.94	7.66	13.41	17.87
16	12	1.20	2.53	3.73	6.22	1.86	3.98	5.80	9.77	12.96	2.59	5.55	8.12	13.78	18.35
	16	0.80	2.18	3.39	5.89	1.38	3.52	5.32	9.27	12.51	2.05	4.98	7.57	13.20	17.75
	24	-	1.53 ⁴	2.73	5.24	0.49 ⁴	2.63	4.42	8.33	11.65	1.03	3.91	6.52	12.09	16.58

25 psf Lateral Load

Wall Height (ft)	Spacing (in) oc	350S162				362S137				362S162				362S200			
		33 ksi		50 ksi		33 ksi		50 ksi		33 ksi		50 ksi		33 ksi		50 ksi	
		33	43	54	68	33	43	54	68	33	43	54	68	33	43	54	68
8	12	0.97	1.68	3.17	4.27	0.73	1.34	2.60	3.61	1.04	1.78	3.36	4.57	1.34	2.34	4.27	5.79
	16	0.66 ⁴	1.36	2.87	3.96	0.45 ⁴	1.04	2.32	3.33	0.73	1.46	3.05	4.25	1.00	1.99	3.92	5.45
	24	0.09 ³	0.76 ³	2.30 ⁴	3.38	-	0.45 ³	1.81 ⁴	2.78	0.16 ³	0.86 ⁴	2.48	3.66	0.37 ³	1.33	3.26	4.79
9	12	0.67 ⁴	1.33	2.69	3.70	0.48 ³	1.04	2.23	3.15	0.74 ⁴	1.44	2.89	3.99	1.00	1.93	3.68	5.08
	16	0.33 ³	0.96 ⁴	2.34	3.34	0.16 ³	0.70 ³	1.90 ⁴	2.81	0.39 ³	1.06 ⁴	2.54	3.62	0.61 ³	1.52	3.28	4.68
	24	-	0.29 ³	1.71 ³	2.68 ⁴	-	-	1.32 ³	2.18 ³	-	0.39 ³	1.89 ³	2.94 ⁴	-	0.78 ³	2.54 ⁴	3.93
10	12	0.39 ³	0.99 ³	2.21	3.11	0.23 ³	0.74 ³	1.84 ⁴	2.67	0.46 ³	1.09 ⁴	2.42	3.40	0.68 ³	1.53	3.10	4.36
	16	-	0.59 ³	1.84 ³	2.72 ⁴	-	0.37 ³	1.49 ³	2.29 ⁴	-	0.68 ³	2.03 ³	2.99	0.25 ³	1.07 ³	2.65 ⁴	3.91
	24	-	-	1.17 ³	2.02 ³	-	-	0.85 ²	1.61 ³	-	-	1.34 ³	2.26 ³	-	0.27 ³	1.86 ³	3.11 ³
12	12	-	0.39 ²	1.37 ³	2.06 ³	-	0.21 ²	1.12 ³	1.75 ³	-	0.47 ³	1.54 ³	2.29 ³	0.11 ²	0.79 ³	2.01 ³	3.01 ⁴
	16	-	-	0.99 ²	1.65 ³	-	-	0.75 ²	1.36 ³	-	-	1.13 ²	1.86 ³	-	0.30 ²	1.55 ³	2.53 ³
	24	-	-	0.32 ¹	0.94 ²	-	-	0.10 ¹	0.66 ²	-	-	0.43 ¹	1.11 ²	-	-	0.75 ²	1.70 ²
14	12	-	-	0.76 ²	1.28 ²	-	-	0.58 ²	1.06 ²	-	-	0.87 ²	1.45 ²	-	0.22 ²	1.20 ²	1.97 ³
	16	-	-	0.39 ¹	0.89 ²	-	-	0.22 ¹	0.67 ¹	-	-	0.48 ¹	1.04 ²	-	-	0.75 ²	1.51 ²
	24	-	-	-	0.21 ¹	-	-	-	-	-	-	-	0.32 ¹	-	-	-	0.72 ¹
16	12	-	-	0.34 ¹	0.73 ¹	-	-	0.20 ¹	0.56 ¹	-	-	0.41 ¹	0.86 ¹	-	-	0.63 ¹	1.24 ²
	16	-	-	-	0.37 ¹	-	-	-	0.20 ¹	-	-	-	0.47 ¹	-	-	0.22 ¹	0.81 ¹
	24	-	-	-	-	-	-	-	-	-	-	-	-	-	-	-	-

25 psf Lateral Load

Wall Height (ft)	Spacing (in) oc	400S137				400S162				400S200				550S162			
		33 ksi		50 ksi		33 ksi		50 ksi		33 ksi		50 ksi		33 ksi		50 ksi	
		33	43	54	68	33	43	54	68	33	43	54	68	33	43	54	68
8	12	0.89	1.56	2.98	4.24	1.23	2.05	3.85	5.37	1.55	2.67	4.89	6.76	1.79	2.82	5.09	6.93
	16	0.61	1.27	2.71	3.94	0.93	1.74	3.55	5.06	1.22	2.32	4.55	6.41	1.54	2.59	4.87	6.72
	24	0.10 ³	0.72 ⁴	2.19	3.39	0.37 ⁴	1.15	2.98	4.45	0.60 ⁴	1.67	3.89	5.75	1.07	2.14	4.44	6.30
9	12	0.64	1.27	2.63	3.84	0.94	1.72	3.41	4.84	1.23	2.28	4.34	6.10	1.56	2.59	4.86	6.73
	16	0.32 ³	0.93 ⁴	2.31	3.49	0.59 ⁴	1.35	3.06	4.45	0.84	1.87	3.92	5.68	1.26	2.31	4.58	6.45
	24	-	0.29 ³	1.70 ³	2.82 ⁴	-	0.66 ³	2.39 ⁴	3.73	0.14 ³	1.12 ⁴	3.16	4.89	0.69	1.76	4.04	5.91
10	12	0.39 ³	0.97 ⁴	2.26	3.36	0.65 ⁴	1.38	2.95	4.26	0.90	1.87	3.75	5.39	1.32	2.34	4.55	6.47
	16	-	0.59 ³	1.89 ⁴	2.95	0.26 ³	0.96 ⁴	2.54	3.82	0.47 ³	1.41 ⁴	3.29	4.91	0.96	2.00	4.21	6.13
	24	-	-	1.22 ³	2.21 ³	-	0.20 ³	1.81 ³	3.01 ⁴	-	0.58 ³	2.45 ³	4.03 ⁴	0.29 ⁴	1.35	3.56	5.46
12	12	-	0.41 ³	1.51 ³	2.37 ⁴	0.13 ³	0.72 ³	2.03 ³	3.06 ⁴	0.30 ³	1.10 ³	2.62 ⁴	3.95	0.79	1.78	3.82	5.61
	16	-	-	1.09 ³	1.91 ³	-	0.25 ²	1.58 ³	2.56 ³	-	0.58 ³	2.11 ³	3.41 ⁴	0.34 ³	1.33	3.36	5.13
	24	-	-	0.37 ²	1.11 ²	-	-	0.78 ²	1.70 ²	-	-	1.20 ²	2.45 ³	-	0.50 ³	2.51 ⁴	4.24
14	12	-	-	0.87 ²	1.52 ³	-	0.18 ²	1.26 ³	2.02 ³	-	0.46 ²	1.67 ³	2.69 ³	0.28 ³	1.19 ⁴	2.99	4.60
	16	-	-	0.46 ¹	1.06 ²	-	-	0.81 ²	1.54 ²	-	-	1.16 ²	2.15 ³	-	0.66 ³	2.45 ³	4.02 ⁴
	24	-	-	-	0.28 ¹	-	-	-	0.70 ¹	-	-	0.28 ¹	1.23 ²	-	-	1.49 ³	2.98 ³
16	12	-	-	0.40 ¹	0.89 ²	-	-	0.68 ²	1.27 ²	-	-	0.97 ²	1.76 ²	-	0.63 ³	2.19 ³	3.56 ⁴
	16	-	-	-	0.46 ¹	-	-	0.25 ¹	0.81 ¹	-	-	0.49 ¹	1.26 ²	-	-	1.61 ³	2.94 ³
	24	-	-	-	-	-	-	-	-	-	-	0.39 ¹	-	-	-	0.60 ²	1.84 ²

If no note, deflection meets L/720

¹Deflection meets L/120

²Deflection meets L/240

³Deflection meets L/360

⁴Deflection meets L/600

See Table Notes on page 31.



Combined Axial and Lateral Loads

25 psf Lateral Load																
Wall Height (ft)	Spacing (in) oc	600S137					600S162					600S200				
		33 ksi		50 ksi			33 ksi		50 ksi			33 ksi		50 ksi		
		33	43	54	68	97	33	43	54	68	97	33	43	54	68	97
8	12	1.31	2.06	3.43	4.68	7.22	1.87	2.89	5.14	6.99	10.94	2.29	3.71	6.86	9.41	15.09
	16	1.12	1.87	3.27	4.52	7.09	1.64	2.69	4.94	6.80	10.76	2.06	3.46	6.61	9.18	14.86
	24	0.75	1.51	2.96	4.22	6.83	1.21	2.28	4.56	6.43	10.39	1.60	2.98	6.12	8.72	14.40
9	12	1.15	1.90	3.29	4.54	7.10	1.68	2.71	4.96	6.81	10.77	2.08	3.46	6.54	9.07	14.66
	16	0.91	1.67	3.09	4.34	6.93	1.40	2.45	4.71	6.57	10.53	1.79	3.15	6.23	8.77	14.36
	24	0.46	1.21	2.70	3.95	6.59	0.86	1.95	4.22	6.09	10.05	1.23	2.55	5.61	8.19	13.77
10	12	0.97	1.72	3.13	4.38	6.96	1.46	2.51	4.75	6.61	10.56	1.84	3.18	6.17	8.67	14.14
	16	0.69	1.44	2.88	4.13	6.75	1.13	2.19	4.44	6.30	10.25	1.49	2.81	5.79	8.30	13.76
	24	0.14 ⁴	0.89	2.40	3.65	6.32	0.48	1.58	3.84	5.71	9.65	0.82	2.08	5.05	7.59	13.03
12	12	0.58	1.32	2.75	3.99	6.61	0.97	2.01	4.20	6.09	10.01	1.31	2.55	5.30	7.68	12.83
	16	0.20 ⁴	0.93	2.40	3.63	6.28	0.53 ⁴	1.58	3.77	5.64	9.54	0.85	2.04	4.78	7.17	12.28
	24	-	0.20 ³	1.73 ⁴	2.95	5.66	-	0.76 ⁴	2.94	4.79	8.66	-	1.10 ⁴	3.79	6.20	11.25
14	12	0.16 ³	0.86 ⁴	2.30	3.51	6.14	0.45 ³	1.44	3.44	5.21	9.22	0.76 ⁴	1.85	4.31	6.51	11.20
	16	-	0.38 ³	1.84 ⁴	3.04	5.70	-	0.91 ³	2.90 ⁴	4.64	8.58	0.21 ³	1.25 ⁴	3.67	5.87	10.50
	24	-	-	1.00 ³	2.16 ³	4.86 ⁴	-	-	1.92 ³	3.60 ³	7.39	-	0.14 ³	2.52 ³	4.70 ⁴	9.21
16	12	-	0.39 ³	1.80 ³	2.96 ⁴	5.56	-	0.87 ³	2.64 ⁴	4.22	7.74	0.23 ³	1.18 ³	3.31	5.28	9.42
	16	-	-	1.25 ³	2.38 ³	4.99 ⁴	-	0.28 ³	2.04 ³	3.57 ³	6.99	-	0.50 ³	2.61 ³	4.56 ⁴	8.61
	24	-	-	0.28 ²	1.35 ²	3.95 ³	-	-	0.98 ²	2.42 ³	5.67 ³	-	-	1.37 ³	3.28 ³	7.16 ⁴

25 psf Lateral Load															
Wall Height (ft)	Spacing (in) oc	800S137				800S162					800S200				
		33 ksi		50 ksi		33 ksi		50 ksi			33 ksi		50 ksi		
		43	54	68	97	43	54	68	97	118	43	54	68	97	118
8	12	2.11	3.31	4.50	6.98	2.98	5.09	6.92	10.93	14.02	4.03	7.31	9.89	15.60	20.09
	16	1.98	3.21	4.40	6.89	2.82	4.95	6.78	10.80	13.91	3.85	7.14	9.73	15.45	19.94
	24	1.72	3.00	4.20	6.70	2.52	4.67	6.51	10.53	13.67	3.49	6.78	9.41	15.14	19.64
9	12	2.01	3.22	4.42	6.90	2.85	4.97	6.80	10.82	13.92	3.88	7.16	9.75	15.47	19.96
	16	1.84	3.09	4.29	6.78	2.65	4.79	6.62	10.64	13.77	3.65	6.93	9.54	15.27	19.76
	24	1.51	2.82	4.03	6.54	2.26	4.44	6.27	10.30	13.47	3.20	6.48	9.13	14.87	19.37
10	12	1.88	3.12	4.32	6.81	2.70	4.84	6.66	10.68	13.80	3.71	6.98	9.59	15.31	19.80
	16	1.68	2.96	4.16	6.66	2.46	4.61	6.44	10.46	13.61	3.42	6.70	9.33	15.05	19.55
	24	1.28	2.63	3.84	6.36	1.98	4.17	6.01	10.03	13.23	2.86	6.13	8.81	14.55	19.05
12	12	1.60	2.89	4.09	6.59	2.36	4.51	6.34	10.35	13.51	3.30	6.55	9.18	14.91	19.39
	16	1.31	2.65	3.86	6.37	2.01	4.18	6.02	10.03	13.22	2.89	6.13	8.80	14.53	19.01
	24	0.75	2.17	3.40	5.92	1.34	3.55	5.38	9.39	12.66	2.10	5.32	8.04	13.78	18.26
14	12	1.27	2.60	3.81	6.31	1.96	4.11	5.93	9.93	13.12	2.78	5.93	8.61	14.38	18.85
	16	0.89	2.28	3.49	6.00	1.49	3.66	5.49	9.48	12.72	2.24	5.37	8.08	13.83	18.30
	24	0.16 ⁴	1.64	2.87	5.39	0.62	2.81	4.63	8.60	11.92	1.22	4.30	7.05	12.79	17.23
16	12	0.90	2.27	3.47	5.97	1.50	3.63	5.44	9.40	12.63	2.18	5.12	7.71	13.34	17.90
	16	0.42 ⁴	1.85	3.06	5.56	0.93	3.07	4.86	8.79	12.08	1.53	4.43	7.04	12.64	17.16
	24	-	1.06 ³	2.27 ⁴	4.77	-	2.01 ⁴	3.78	7.65	11.02	0.32 ³	3.15	5.77	11.30	15.75

30 psf Lateral Load																	
Wall Height (ft)	Spacing (in) oc	350S162				362S137				362S162				362S200			
		33 ksi		50 ksi		33 ksi		50 ksi		33 ksi		50 ksi		33 ksi		50 ksi	
		33	43	54	68	33	43	54	68	33	43	54	68	33	43	54	68
8	12	0.78	1.49	2.99	4.08	0.56 ⁴	1.16	2.43	3.44	0.85	1.59	3.17	4.38	1.13	2.13	4.06	5.58
	16	0.43 ³	1.11 ⁴	2.64	3.72	0.24 ³	0.81 ⁴	2.11	3.10	0.50 ⁴	1.21	2.82	4.01	0.74 ⁴	1.71	3.65	5.18
	24	-	0.42 ³	1.99 ³	3.05	-	0.18 ³	1.52 ³	2.47 ⁴	-	0.52 ³	2.16 ⁴	3.32	-	0.95 ⁴	2.89	4.42
9	12	0.46 ³	1.11 ⁴	2.48	3.48	0.28 ³	0.83 ⁴	2.03	2.94	0.53 ³	1.21	2.68	3.77	0.77 ⁴	1.68	3.44	4.84
	16	-	0.69 ³	2.08 ⁴	3.06	-	0.44 ³	1.66 ³	2.55 ⁴	0.13 ³	0.78 ³	2.27 ⁴	3.34	0.32 ³	1.21 ⁴	2.97	4.37
	24	-	-	1.37 ³	2.31 ³	-	-	0.99 ³	1.84 ³	-	-	1.54 ³	2.57 ³	-	0.37 ³	2.12 ³	3.51 ⁴
10	12	0.17 ³	0.74 ³	1.99 ⁴	2.88	-	0.51 ³	1.62 ³	2.44 ⁴	0.23 ³	0.84 ³	2.18 ⁴	3.15	0.42 ³	1.25 ⁴	2.83	4.09
	16	-	0.29 ³	1.56 ³	2.43 ³	-	-	1.22 ³	2.01 ³	-	0.38 ³	1.74 ³	2.69 ⁴	-	0.74 ³	2.32 ³	3.58 ⁴
	24	-	-	0.81 ²	1.63 ³	-	-	0.51 ²	1.25 ²	-	-	0.96 ²	1.86 ³	-	-	1.43 ³	2.66 ³
12	12	-	0.13 ²	1.13 ²	1.81 ³	-	-	0.89 ²	1.51 ³	-	0.20 ²	1.29 ³	2.03 ³	-	0.49 ³	1.73 ³	2.72 ³
	16	-	-	0.70 ²	1.35 ²	-	-	0.48 ²	1.06 ²	-	-	0.84 ²	1.55 ²	-	-	1.21 ²	2.19 ³
	24	-	-	-	0.56 ¹	-	-	-	0.29 ¹	-	-	-	0.71 ¹	-	-	0.31 ¹	1.26 ²
14	12	-	-	0.53 ¹	1.04 ²	-	-	0.35 ¹	0.82 ²	-	-	0.64 ¹	1.19 ²	-	-	0.92 ²	1.69 ²
	16	-	-	0.13 ¹	0.60 ¹	-	-	-	0.39 ¹	-	-	0.21 ¹	0.73 ¹	-	-	0.43 ¹	1.18 ²
	24	-	-	-	-	-	-	-	-	-	-	-	-	-	-	-	0.31 ¹
16	12	-	-	0.13 ¹	0.51 ¹	-	-	-	0.34 ¹	-	-	0.19 ¹	0.62 ¹	-	-	0.38 ¹	0.97 ¹
	16	-	-	-	0.11 ¹	-	-	-	-	-	-	0.19 ¹	-	-	-	-	0.50 ¹
	24	-	-	-	-	-	-	-	-	-	-	-	-	-	-	-	-

If no note, deflection meets L/720

¹Deflection meets L/120

²Deflection meets L/240

³Deflection meets L/360

⁴Deflection meets L/600

See Table Notes on page 31.

Combined Axial and Lateral Loads



30 psf Lateral Load

Wall Height (ft)	Spacing (in) oc	400S137				400S162				400S200				550S162			
		33 ksi		50 ksi		33 ksi		50 ksi		33 ksi		50 ksi		33 ksi		50 ksi	
		33	43	54	68	33	43	54	68	33	43	54	68	33	43	54	68
8	12	0.72	1.38	2.81	4.06	1.05	1.86	3.67	5.18	1.35	2.46	4.68	6.55	1.64	2.68	4.96	6.80
	16	0.40 ⁴	1.04	2.50	3.72	0.70	1.50	3.32	4.81	0.97	2.06	4.28	6.14	1.35	2.41	4.70	6.55
	24	-	0.41 ³	1.90 ⁴	3.07	-	0.81 ⁴	2.66	4.10	0.26 ³	1.30	3.52	5.37	0.79	1.88	4.19	6.05
9	12	0.44 ⁴	1.06	2.43	3.63	0.73 ⁴	1.49	3.2	4.61	0.99	2.03	4.09	5.84	1.38	2.42	4.69	6.56
	16	-	0.67 ³	2.06	3.21	0.33 ³	1.07 ⁴	2.78	4.16	0.55 ⁴	1.56	3.61	5.35	1.03	2.09	4.36	6.23
	24	-	-	1.37 ³	2.45 ³	-	0.28 ³	2.02 ³	3.33 ⁴	-	0.70 ³	2.73 ⁴	4.45	0.35	1.44	3.72	5.59
10	12	0.17 ³	0.74 ³	2.03 ⁴	3.11	0.41 ³	1.12 ⁴	2.70	3.99	0.64 ⁴	1.59	3.47	5.09	1.10	2.14	4.34	6.26
	16	-	0.30 ³	1.61 ³	2.65 ⁴	-	0.64 ³	2.24 ⁴	3.48	0.15 ³	1.07 ³	2.94	4.54	0.69	1.74	3.94	5.85
	24	-	-	0.85 ²	1.80 ³	-	-	1.40 ³	2.57 ³	-	0.13 ³	1.98 ³	3.54 ³	-	0.97 ⁴	3.18	5.07
12	12	-	0.14 ²	1.25 ³	2.09 ³	-	0.43 ³	1.75 ³	2.76 ³	-	0.78 ³	2.31 ³	3.62 ⁴	0.52 ⁴	1.51	3.54	5.32
	16	-	-	0.79 ²	1.58 ³	-	-	1.25 ²	2.20 ³	-	0.20 ²	1.73 ³	3.00 ³	-	0.99 ⁴	3.01	4.76
	24	-	-	-	0.68 ²	-	-	0.36 ¹	1.23 ²	-	-	0.71 ²	1.93 ²	-	-	2.04 ³	3.74 ⁴
14	12	-	-	0.62 ²	1.24 ²	-	-	0.98 ²	1.72 ³	-	0.13 ²	1.36 ²	2.36 ³	-	0.87 ³	2.66 ⁴	4.24
	16	-	-	0.16 ¹	0.73 ¹	-	-	0.48 ¹	1.18 ²	-	-	0.79 ²	1.76 ²	-	0.26 ³	2.05 ³	3.59 ³
	24	-	-	-	-	-	-	-	0.25 ¹	-	-	0.74 ¹	-	-	0.96 ²	2.41 ³	
16	12	-	-	0.16 ¹	0.62 ¹	-	-	0.42 ¹	0.98 ²	-	-	0.68 ¹	1.45 ²	-	0.28 ²	1.83 ³	3.18 ³
	16	-	-	-	0.15 ¹	-	-	-	0.48 ¹	-	-	0.14 ¹	0.89 ¹	-	-	1.19 ²	2.48 ³
	24	-	-	-	-	-	-	-	-	-	-	-	-	-	-	1.26 ²	

30 psf Lateral Load

Wall Height (ft)	Spacing (in) oc	600S137					600S162					600S200				
		33 ksi		50 ksi			33 ksi		50 ksi			33 ksi		50 ksi		
		33	43	54	68	97	33	43	54	68	97	33	43	54	68	97
8	12	1.19	1.95	3.34	4.58	7.14	1.73	2.77	5.02	6.87	10.83	2.15	3.56	6.71	9.27	14.95
	16	0.97	1.73	3.15	4.40	6.99	1.47	2.53	4.79	6.65	10.61	1.88	3.27	6.42	9.00	14.67
	24	0.53	1.30	2.78	4.04	6.67	0.95	2.05	4.33	6.21	10.17	1.34	2.69	5.84	8.45	14.12
9	12	1.01	1.76	3.17	4.42	7.00	1.51	2.56	4.81	6.67	10.62	1.90	3.27	6.35	8.89	14.48
	16	0.73	1.48	2.93	4.18	6.80	1.18	2.25	4.51	6.38	10.34	1.56	2.91	5.98	8.54	14.12
	24	0.19	0.95	2.47	3.72	6.39	0.54	1.65	3.94	5.81	9.77	0.90	2.20	5.26	7.85	13.42
10	12	0.80	1.55	2.98	4.23	6.83	1.26	2.32	4.57	6.42	10.37	1.63	2.96	5.94	8.45	13.91
	16	0.47	1.22	2.69	3.94	6.58	0.86	1.94	4.20	6.06	10.01	1.22	2.51	5.49	8.01	13.47
	24	-	0.57	2.12	3.37	6.07	0.11 ⁴	1.22	3.49	5.36	9.30	0.44	1.67	4.62	7.18	12.60
12	12	0.35 ⁴	1.08	2.54	3.78	6.41	0.70	1.75	3.94	5.82	9.73	1.03	2.24	4.98	7.37	12.50
	16	-	0.63 ⁴	2.13	3.36	6.03	0.19 ³	1.24	3.43	5.30	9.18	0.50 ⁴	1.66	4.37	6.77	11.86
	24	-	-	1.35 ³	2.56 ⁴	5.30	-	0.31 ³	2.47 ⁴	4.31	8.14	-	0.57 ³	3.23	5.65	10.65
14	12	-	0.57 ³	2.02 ⁴	3.22	5.87	0.14 ³	1.12 ⁴	3.11	4.87	8.83	0.42 ³	1.48	3.92	6.13	10.77
	16	-	-	1.50 ³	2.68 ⁴	5.35	-	0.52 ³	2.49 ³	4.21	8.09	-	0.79 ³	3.19 ⁴	5.39	9.97
	24	-	-	0.54 ²	1.68 ³	4.38 ³	-	-	1.38 ³	3.02 ³	6.74 ⁴	-	-	1.88 ³	4.05 ³	8.48
16	12	-	-	1.47 ³	2.61 ³	5.21	-	0.51 ³	2.28 ³	3.82 ⁴	7.28	-	0.76 ³	2.88 ⁴	4.84	8.92
	16	-	-	0.85 ²	1.95 ³	4.56 ³	-	-	1.60 ³	3.09 ³	6.44 ⁴	-	-	2.09 ³	4.03 ³	8.00
	24	-	-	-	0.79 ²	3.38 ³	-	-	0.40 ²	1.80 ²	4.95 ³	-	-	0.70 ²	2.59 ³	6.37 ³

30 psf Lateral Load

Wall Height (ft)	Spacing (in) oc	800S137				800S162				800S200					
		33 ksi		50 ksi		33 ksi		50 ksi		33 ksi		50 ksi			
		43	54	68	97	43	54	68	97	118	43	54	68	97	118
8	12	2.03	3.25	4.44	6.93	2.89	5.01	6.83	10.85	13.95	3.93	7.21	9.80	15.51	20.00
	16	1.88	3.12	4.32	6.81	2.70	4.84	6.67	10.69	13.81	3.71	6.99	9.60	15.33	19.82
	24	1.57	2.87	4.08	6.59	2.33	4.50	6.34	10.37	13.53	3.28	6.57	9.21	14.96	19.45
9	12	1.91	3.14	4.34	6.83	2.73	4.87	6.69	10.71	13.83	3.74	7.02	9.63	15.35	19.84
	16	1.71	2.98	4.18	6.68	2.50	4.65	6.48	10.51	13.65	3.47	6.75	9.38	15.11	19.60
	24	1.32	2.66	3.88	6.39	2.03	4.22	6.07	10.09	13.29	2.92	6.21	8.88	14.63	19.13
10	12	1.76	3.02	4.22	6.72	2.56	4.70	6.53	10.55	13.69	3.54	6.81	9.43	15.16	19.65
	16	1.52	2.83	4.03	6.54	2.27	4.43	6.27	10.29	13.46	3.20	6.47	9.12	14.85	19.35
	24	1.04	2.43	3.65	6.18	1.70	3.91	5.75	9.78	13.01	2.53	5.80	8.50	14.25	18.75
12	12	1.43	2.74	3.95	6.45	2.15	4.31	6.14	10.16	13.33	3.05	6.30	8.95	14.68	19.16
	16	1.09	2.46	3.67	6.19	1.74	3.93	5.76	9.77	12.99	2.57	5.81	8.49	14.22	18.71
	24	0.42	1.90	3.12	5.66	0.94	3.17	5.01	9.02	12.32	1.64	4.85	7.59	13.33	17.82
14	12	1.04	2.40	3.61	6.12	1.68	3.84	5.66	9.65	12.88	2.46	5.59	8.29	14.05	18.52
	16	0.59	2.02	3.24	5.76	1.14	3.32	5.14	9.12	12.40	1.83	4.94	7.66	13.41	17.87
	24	-	1.28 ⁴	2.50	5.04	0.12 ⁴	2.33	4.14	8.08	11.46	0.64	3.69	6.45	12.17	16.61
16	12	0.61	2.02	3.22	5.73	1.15	3.29	5.09	9.03	12.29	1.79	4.71	7.30	12.92	17.45
	16	-	1.53 ⁴	2.73	5.24	0.49 ⁴	2.63	4.42	8.33	11.65	1.03	3.91	6.52	12.09	16.58
	24	-	0.61 ³	1.81 ³	4.31	-	1.41 ³	3.16 ⁴	6.99	10.41	-	2.43 ⁴	5.06	10.53	14.94

If no note, deflection meets L/720

¹Deflection meets L/120

²Deflection meets L/240

³Deflection meets L/360

⁴Deflection meets L/600

See Table Notes on page 31.

35 psf Lateral Load

Wall Height (ft)	Spacing (in) oc	350S162				362S137				362S162				362S200			
		33 ksi		50 ksi		33 ksi		50 ksi		33 ksi		50 ksi		33 ksi		50 ksi	
		33	43	54	68	33	43	54	68	33	43	54	68	33	43	54	68
8	12	0.60 ⁴	1.30	2.81	3.90	0.40 ⁴	0.98	2.27	3.27	0.67 ⁴	1.40	2.99	4.19	0.93	1.92	3.85	5.38
	16	0.20 ³	0.87 ⁴	2.41	3.49	-	0.59 ³	1.91 ⁴	2.88	0.27 ³	0.98 ⁴	2.59	3.77	0.49 ⁴	1.45	3.39	4.92
	24	-	0.11 ³	1.68 ³	2.73 ⁴	-	-	1.24 ³	2.17 ³	-	0.20 ³	1.85 ³	2.99 ⁴	-	0.60 ³	2.54 ⁴	4.06
9	12	0.26 ³	0.89 ³	2.28 ⁴	3.27	0.10 ³	0.63 ³	1.84 ⁴	2.74	0.33 ³	0.99 ⁴	2.47	3.55	0.54 ³	1.44	3.20	4.60
	16	-	0.42 ³	1.83 ³	2.80 ⁴	-	0.19 ³	1.43 ³	2.30 ⁴	-	0.52 ³	2.02 ³	3.07 ⁴	-	0.92 ³	2.68 ⁴	4.07
	24	-	-	1.04 ²	1.96 ³	-	-	0.68 ²	1.50 ³	-	-	1.20 ³	2.21 ³	-	-	1.73 ³	3.12 ³
10	12	-	0.51 ³	1.77 ³	2.65 ⁴	-	0.29 ³	1.42 ³	2.22 ³	-	0.60 ³	1.96 ³	2.92 ⁴	0.18 ³	0.99 ³	2.57 ⁴	3.83
	16	-	-	1.30 ³	2.15 ³	-	-	0.97 ³	1.74 ³	-	0.10 ²	1.47 ³	2.40 ³	-	0.43 ³	2.01 ³	3.26 ⁴
	24	-	-	0.47 ²	1.27 ²	-	-	0.19 ²	0.90 ²	-	-	0.61 ²	1.48 ²	-	-	1.02 ²	2.24 ³
12	12	-	-	0.91 ²	1.58 ³	-	-	0.68 ²	1.28 ²	-	-	1.06 ²	1.78 ³	-	0.21 ²	1.46 ³	2.44 ³
	16	-	-	0.45 ¹	1.07 ²	-	-	0.22 ¹	0.79 ²	-	-	0.56 ²	1.25 ²	-	-	0.90 ²	1.86 ²
	24	-	-	-	0.21 ¹	-	-	-	-	-	-	0.34 ¹	-	-	-	-	0.85 ¹
14	12	-	-	0.32 ¹	0.82 ¹	-	-	0.15 ¹	0.60 ¹	-	-	0.41 ¹	0.96 ²	-	-	0.67 ²	1.43 ²
	16	-	-	-	0.34 ¹	-	-	-	0.13 ¹	-	-	-	0.45 ¹	-	-	0.13 ¹	0.87 ¹
	24	-	-	-	-	-	-	-	-	-	-	-	-	-	-	-	-
16	12	-	-	-	0.30 ¹	-	-	-	0.14 ¹	-	-	-	0.39 ¹	-	-	0.14 ¹	0.73 ¹
	16	-	-	-	-	-	-	-	-	-	-	-	-	-	-	-	0.22 ¹
	24	-	-	-	-	-	-	-	-	-	-	-	-	-	-	-	-

35 psf Lateral Load

Wall Height (ft)	Spacing (in) oc	400S137				400S162				400S200				550S162			
		33 ksi		50 ksi		33 ksi		50 ksi		33 ksi		50 ksi		33 ksi		50 ksi	
		33	43	54	68	33	43	54	68	33	43	54	68	33	43	54	68
8	12	0.56	1.21	2.66	3.89	0.87	1.68	3.49	4.99	1.16	2.26	4.48	6.34	1.49	2.54	4.83	6.68
	16	0.20 ³	0.83	2.29	3.50	0.47 ⁴	1.26	3.09	4.57	0.72	1.80	4.02	5.88	1.16	2.23	4.53	6.38
	24	-	0.11 ³	1.62 ³	2.77	-	0.49 ³	2.34 ⁴	3.76	-	0.95 ⁴	3.15	5.00	0.52	1.63	3.94	5.80
9	12	0.25 ³	0.86 ⁴	2.24	3.42	0.52 ⁴	1.28	2.99	4.38	0.77 ⁴	1.79	3.84	5.60	1.20	2.25	4.53	6.40
	16	-	0.42 ³	1.82 ⁴	2.95	-	0.79 ³	2.52	3.87	0.27 ³	1.26 ⁴	3.31	5.04	0.80	1.87	4.15	6.02
	24	-	-	1.05 ³	2.09 ³	-	-	1.66 ³	2.94 ³	-	0.30 ³	2.32 ³	4.03 ⁴	-	1.13	3.41	5.28
10	12	-	0.51 ³	1.82 ⁴	2.87	0.19 ³	0.88 ³	2.47 ⁴	3.73	0.39 ³	1.33 ⁴	3.20	4.81	0.89	1.93	4.14	6.06
	16	-	-	1.35 ³	2.35 ³	-	0.35 ³	1.95 ³	3.17 ⁴	-	0.74 ³	2.61 ⁴	4.20	0.42 ⁴	1.48	3.69	5.59
	24	-	-	0.51 ²	1.42 ³	-	-	1.02 ²	2.15 ³	-	-	1.54 ³	3.08 ³	-	0.61 ⁴	2.82	4.69
12	12	-	-	1.02 ²	1.82 ³	-	0.16 ²	1.49 ³	2.47 ³	-	0.49 ³	2.01 ³	3.30 ³	0.25 ³	1.24 ⁴	3.27	5.04
	16	-	-	0.50 ²	1.26 ²	-	-	0.93 ²	1.86 ³	-	-	1.37 ³	2.63 ³	-	0.66 ³	2.68 ⁴	4.41
	24	-	-	-	0.28 ¹	-	-	-	0.79 ²	-	-	0.26 ²	1.45 ²	-	-	1.59 ³	3.26 ³
14	12	-	-	0.38 ¹	0.98 ²	-	-	0.72 ²	1.44 ²	-	-	1.07 ²	2.05 ³	-	0.56 ³	2.35 ³	3.91 ⁴
	16	-	-	-	0.43 ¹	-	-	0.17 ¹	0.85 ¹	-	-	0.44 ¹	1.40 ²	-	-	1.67 ³	3.18 ³
	24	-	-	-	-	-	-	-	-	-	-	0.28 ¹	-	-	0.47 ²	1.88 ²	
16	12	-	-	-	0.38 ¹	-	-	0.18 ¹	0.72 ¹	-	-	0.40 ¹	1.16 ²	-	-	1.50 ³	2.82 ³
	16	-	-	-	-	-	-	-	0.17 ¹	-	-	-	0.55 ¹	-	-	0.79 ²	2.05 ²
	24	-	-	-	-	-	-	-	-	-	-	-	-	-	-	-	0.72 ¹

35 psf Lateral Load

Wall Height (ft)	Spacing (in) oc	600S137					600S162					600S200				
		33 ksi		50 ksi			33 ksi		50 ksi			33 ksi		50 ksi		
		33	43	54	68	97	33	43	54	68	97	33	43	54	68	97
8	12	1.08	1.84	3.24	4.49	7.06	1.60	2.65	4.90	6.76	10.72	2.01	3.41	6.56	9.13	14.81
	16	0.82	1.58	3.02	4.28	6.88	1.30	2.36	4.64	6.50	10.47	1.70	3.07	6.22	8.81	14.49
	24	0.32	1.09	2.60	3.86	6.52	0.70	1.81	4.11	5.99	9.96	1.07	2.41	5.55	8.18	13.85
9	12	0.87	1.62	3.05	4.30	6.90	1.34	2.40	4.66	6.52	10.48	1.73	3.09	6.17	8.72	14.30
	16	0.55	1.30	2.78	4.03	6.66	0.96	2.05	4.32	6.19	10.15	1.34	2.67	5.74	8.31	13.89
	24	-	0.69	2.24	3.50	6.19	0.24	1.36	3.66	5.53	9.49	0.58	1.85	4.90	7.52	13.07
10	12	0.63	1.38	2.84	4.08	6.70	1.06	2.13	4.38	6.24	10.19	1.42	2.73	5.71	8.23	13.69
	16	0.25	1.00	2.50	3.75	6.41	0.61	1.70	3.96	5.82	9.77	0.95	2.23	5.19	7.73	13.18
	24	-	0.27 ⁴	1.84	3.09	5.82	-	0.88	3.15	5.01	8.95	-	1.26	4.19	6.77	12.18
12	12	0.13 ³	0.85	2.33	3.56	6.22	0.44 ⁴	1.49	3.68	5.55	9.45	0.76	1.94	4.67	7.07	12.18
	16	-	0.34 ³	1.86 ⁴	3.09	5.78	-	0.92 ⁴	3.10	4.96	8.83	0.16 ³	1.28	3.98	6.39	11.45
	24	-	-	0.98 ³	2.18 ³	4.95	-	-	2.03 ³	3.84 ⁴	7.65	-	-	2.70 ⁴	5.11	10.08
14	12	-	0.28 ³	1.75 ³	2.95	5.61	-	0.81 ³	2.80 ⁴	4.53	8.45	0.10 ³	1.13 ⁴	3.55	5.75	10.36
	16	-	-	1.16 ³	2.33 ³	5.02	-	0.14 ³	2.11 ³	3.80 ⁴	7.62	-	0.35 ³	2.74 ³	4.93	9.45
	24	-	-	0.10 ²	1.21 ³	3.93 ³	-	-	0.86 ²	2.47 ³	6.11 ³	-	-	1.28 ³	3.44 ³	7.80 ⁴
16	12	-	-	1.15 ³	2.27 ³	4.88 ⁴	-	0.17 ³	1.93 ³	3.45 ³	6.85	-	0.38 ³	2.47 ³	4.43 ⁴	8.45
	16	-	-	0.47 ²	1.54 ³	4.15 ³	-	-	1.18 ²	2.64 ³	5.92 ³	-	-	1.60 ³	3.52 ³	7.44 ⁴
	24	-	-	-	0.26 ²	2.85 ²	-	-	-	1.22 ²	4.28 ³	-	-	-	1.94 ²	5.64 ³

If no note, deflection meets L/720

¹Deflection meets L/120

²Deflection meets L/240

³Deflection meets L/360

⁴Deflection meets L/600

See Table Notes on page 31.

Combined Axial and Lateral Loads



SSMA

35 psf Lateral Load

Wall Height (ft)	Spacing (in) oc	800S137				800S162					800S200				
		33 ksi		50 ksi		33 ksi		50 ksi			33 ksi		50 ksi		
		43	54	68	97	43	54	68	97	118	43	54	68	97	118
8	12	1.96	3.19	4.38	6.87	2.79	4.92	6.75	10.77	13.88	3.82	7.10	9.70	15.42	19.91
	16	1.78	3.04	4.24	6.74	2.58	4.73	6.56	10.58	13.72	3.57	6.85	9.47	15.20	19.70
	24	1.42	2.75	3.96	6.47	2.15	4.34	6.18	10.21	13.39	3.07	6.36	9.02	14.77	19.27
9	12	1.81	3.06	4.26	6.76	2.61	4.76	6.59	10.61	13.74	3.61	6.89	9.50	15.23	19.72
	16	1.58	2.88	4.08	6.59	2.34	4.51	6.34	10.37	13.53	3.29	6.57	9.21	14.95	19.44
	24	1.13	2.51	3.73	6.25	1.80	4.01	5.86	9.89	13.11	2.66	5.94	8.63	14.39	18.90
10	12	1.64	2.92	4.13	6.63	2.41	4.57	6.40	10.42	13.57	3.37	6.64	9.27	15.00	19.50
	16	1.36	2.69	3.90	6.42	2.08	4.26	6.10	10.12	13.31	2.97	6.25	8.91	14.65	19.15
	24	0.81	2.24	3.46	6.00	1.42	3.65	5.50	9.52	12.78	2.20	5.47	8.19	13.96	18.46
12	12	1.26	2.60	3.81	6.32	1.94	4.12	5.95	9.96	13.16	2.81	6.05	8.72	14.45	18.94
	16	0.86	2.27	3.49	6.01	1.47	3.67	5.51	9.52	12.77	2.25	5.48	8.19	13.92	18.41
	24	0.10	1.62	2.86	5.40	0.56	2.81	4.65	8.65	11.99	1.18	4.38	7.15	12.90	17.38
14	12	0.81	2.21	3.42	5.94	1.40	3.58	5.40	9.39	12.64	2.14	5.26	7.97	13.73	18.19
	16	0.30 ⁴	1.77	2.99	5.51	0.79	2.98	4.80	8.77	12.08	1.42	4.51	7.25	12.99	17.44
	24	-	0.92 ³	2.15	4.68	-	1.85 ⁴	3.65	7.58	11.00	-	3.10	5.87	11.58	16.00
16	12	0.33 ⁴	1.77	2.98	5.48	0.81 ⁴	2.96	4.75	8.68	11.97	1.40	4.30	6.91	12.50	17.01
	16	-	1.21 ³	2.42	4.93	-	2.21 ⁴	3.99	7.87	11.23	0.55 ⁴	3.40	6.02	11.56	16.02
	24	-	0.18 ³	1.37 ³	3.86 ⁴	-	0.84 ³	2.57 ³	6.36	9.82	-	1.75 ³	4.37 ⁴	9.79	14.16

40 psf Lateral Load

Wall Height (ft)	Spacing (in) oc	350S162				362S137				362S162				362S200			
		33 ksi		50 ksi		33 ksi		50 ksi		33 ksi		50 ksi		33 ksi		50 ksi	
		33	43	54	68	33	43	54	68	33	43	54	68	33	43	54	68
8	12	0.43 ³	1.11 ⁴	2.64	3.72	0.24 ³	0.81 ⁴	2.11	3.10	0.50 ⁴	1.21	2.82	4.01	0.74 ⁴	1.71	3.65	5.18
	16	-	0.65 ³	2.20 ⁴	3.26	-	0.38 ³	1.71 ⁴	2.67	-	0.75 ³	2.37 ⁴	3.54	0.25 ³	1.20 ⁴	3.14	4.67
	24	-	-	1.39 ³	2.42 ³	-	-	0.97 ³	1.88 ³	-	-	1.56 ³	2.68 ³	-	0.26 ³	2.19 ³	3.72 ⁴
9	12	-	0.69 ³	2.08 ⁴	3.06	-	0.44 ³	1.66 ³	2.55 ⁴	0.13 ³	0.78 ³	2.27 ⁴	3.34	0.32 ³	1.21 ⁴	2.97	4.37
	16	-	0.17 ³	1.60 ³	2.55 ³	-	-	1.21 ³	2.07 ³	-	0.26 ³	1.77 ³	2.82 ⁴	-	0.64 ³	2.40 ³	3.79
	24	-	-	0.72 ²	1.63 ³	-	-	0.39 ²	1.19 ²	-	-	0.87 ²	1.86 ³	-	-	1.36 ³	2.73 ³
10	12	-	0.29 ³	1.56 ³	2.43 ³	-	-	1.22 ³	2.01 ³	-	0.38 ³	1.74 ³	2.69 ⁴	-	0.74 ³	2.32 ³	3.58 ⁴
	16	-	-	1.05 ²	1.89 ³	-	-	0.74 ²	1.49 ³	-	-	1.21 ³	2.12 ³	-	0.13 ²	1.71 ³	2.95 ³
	24	-	-	0.15 ¹	0.93 ²	-	-	-	0.57 ²	-	-	0.27 ²	1.12 ²	-	-	0.64 ²	1.85 ²
12	12	-	-	0.70 ²	1.35 ²	-	-	0.48 ²	1.06 ²	-	-	0.84 ²	1.55 ²	-	-	1.21 ²	2.19 ³
	16	-	-	0.20 ¹	0.81 ²	-	-	-	0.54 ¹	-	-	0.30 ¹	0.97 ²	-	-	0.60 ²	1.55 ²
	24	-	-	-	-	-	-	-	-	-	-	-	-	-	-	-	0.45 ¹
14	12	-	-	0.13 ¹	0.60 ¹	-	-	-	0.39 ¹	-	-	0.21 ¹	0.73 ¹	-	-	0.43 ¹	1.18 ²
	16	-	-	-	-	-	-	-	-	-	-	0.19 ¹	-	-	-	-	0.58 ¹
	24	-	-	-	-	-	-	-	-	-	-	-	-	-	-	-	-
16	12	-	-	-	0.11 ¹	-	-	-	-	-	-	0.19 ¹	-	-	-	-	0.50 ¹
	16	-	-	-	-	-	-	-	-	-	-	-	-	-	-	-	-
	24	-	-	-	-	-	-	-	-	-	-	-	-	-	-	-	-

40 psf Lateral Load

Wall Height (ft)	Spacing (in) oc	400S137				400S162				400S200				550S162			
		33 ksi		50 ksi		33 ksi		50 ksi		33 ksi		50 ksi		33 ksi		50 ksi	
		33	43	54	68	33	43	54	68	33	43	54	68	33	43	54	68
8	12	0.40 ⁴	1.04	2.50	3.72	0.70	1.50	3.32	4.81	0.97	2.06	4.28	6.14	1.35	2.41	4.70	6.55
	16	-	0.62 ⁴	2.10	3.28	0.26 ³	1.03	2.87	4.33	0.49 ⁴	1.55	3.76	5.62	0.98	2.06	4.36	6.21
	24	-	-	1.35 ³	2.47 ⁴	-	0.18 ³	2.04 ⁴	3.44	-	0.61 ³	2.80 ⁴	4.64	0.26	1.37	3.69	5.56
9	12	-	0.67 ³	2.06	3.21	0.33 ³	1.07 ⁴	2.78	4.16	0.55 ⁴	1.56	3.61	5.35	1.03	2.09	4.36	6.23
	16	-	0.18 ³	1.59 ³	2.70 ⁴	-	0.53 ³	2.26 ⁴	3.60	-	0.98 ⁴	3.01	4.74	0.57	1.65	3.93	5.80
	24	-	-	0.74 ³	1.75 ³	-	-	1.32 ³	2.57 ³	-	-	1.93 ³	3.62 ⁴	-	0.82	3.11	4.98
10	12	-	0.30 ³	1.61 ³	2.65 ⁴	-	0.64 ³	2.24 ⁴	3.48	0.15 ³	1.07 ³	2.94	4.54	0.69	1.74	3.94	5.85
	16	-	-	1.09 ³	2.07 ³	-	-	1.67 ³	2.86 ³	-	0.43 ³	2.29 ³	3.86 ⁴	0.16 ⁴	1.22	3.43	5.33
	24	-	-	0.18 ²	1.05 ²	-	-	0.66 ²	1.75 ³	-	-	1.13 ³	2.64 ³	-	0.26 ³	2.46 ⁴	4.32
12	12	-	-	0.79 ²	1.58 ³	-	-	1.25 ²	2.20 ³	-	0.20 ²	1.73 ³	3.00 ³	-	0.99 ⁴	3.01	4.76
	16	-	-	0.23 ¹	0.96 ²	-	-	0.64 ²	1.53 ²	-	-	1.03 ²	2.27 ³	-	0.34 ³	2.35 ³	4.07 ⁴
	24	-	-	-	-	-	-	-	0.38 ¹	-	-	-	1.00 ²	-	-	1.16 ³	2.80 ³
14	12	-	-	0.16 ¹	0.73 ¹	-	-	0.48 ¹	1.18 ²	-	-	0.79 ²	1.76 ²	-	0.26 ³	2.05 ³	3.59 ³
	16	-	-	-	0.14 ¹	-	-	-	0.55 ¹	-	-	0.12 ¹	1.06 ²	-	-	1.31 ²	2.79 ³
	24	-	-	-	-	-	-	-	-	-	-	-	-	-	-	-	1.38 ²
16	12	-	-	-	0.15 ¹	-	-	-	0.48 ¹	-	-	0.14 ¹	0.89 ¹	-	-	1.19 ²	2.48 ³
	16	-	-	-	-	-	-	-	-	-	-	-	0.24 ¹	-	-	0.42 ¹	1.64 ²
	24	-	-	-	-	-	-	-	-	-	-	-	-	-	-	-	0.20 ¹

If no note, deflection meets L/720

¹Deflection meets L/120

²Deflection meets L/240

³Deflection meets L/360

⁴Deflection meets L/600

See Table Notes on page 31.

40 psf Lateral Load

Wall Height (ft)	Spacing (in) oc	600S137					600S162					600S200				
		33 ksi		50 ksi			33 ksi		50 ksi			33 ksi		50 ksi		
		33	43	54	68	97	33	43	54	68	97	33	43	54	68	97
8	12	0.97	1.73	3.15	4.40	6.99	1.47	2.53	4.79	6.65	10.61	1.88	3.27	6.42	9.00	14.67
	16	0.68	1.44	2.90	4.16	6.78	1.12	2.20	4.48	6.35	10.32	1.52	2.88	6.03	8.63	14.30
	24	0.11	0.88	2.41	3.68	6.36	0.45	1.58	3.89	5.77	9.74	0.81	2.13	5.27	7.92	13.58
9	12	0.73	1.48	2.93	4.18	6.80	1.18	2.25	4.51	6.38	10.34	1.56	2.91	5.98	8.54	14.12
	16	0.37	1.13	2.62	3.88	6.53	0.75	1.85	4.13	6.00	9.96	1.12	2.43	5.49	8.08	13.65
	24	-	0.43	2.01	3.27	6.00	-	1.07	3.38	5.25	9.22	0.27	1.51	4.55	7.18	12.73
10	12	0.47	1.22	2.69	3.94	6.58	0.86	1.94	4.20	6.06	10.01	1.22	2.51	5.49	8.01	13.47
	16	-	0.78	2.31	3.56	6.24	0.36	1.46	3.73	5.59	9.53	0.69	1.94	4.90	7.45	12.89
	24	-	-	1.57 ⁴	2.82	5.58	-	0.54 ⁴	2.82	4.68	8.61	-	0.86	3.78	6.37	11.76
12	12	-	0.63 ⁴	2.13	3.36	6.03	0.19 ³	1.24	3.43	5.30	9.18	0.50 ⁴	1.66	4.37	6.77	11.86
	16	-	-	1.60 ⁴	2.82	5.54	-	0.61 ³	2.78 ⁴	4.63	8.48	-	0.92 ⁴	3.60	6.01	11.05
	24	-	-	0.63 ³	1.82 ³	4.60 ⁴	-	-	1.59 ³	3.39 ³	7.17	-	-	2.19 ³	4.60 ⁴	9.52
14	12	-	-	1.50 ³	2.68 ⁴	5.35	-	0.52 ³	2.49 ³	4.21	8.09	-	0.79 ³	3.19 ⁴	5.39	9.97
	16	-	-	0.84 ³	2.00 ³	4.70 ⁴	-	-	1.74 ³	3.41 ³	7.17	-	-	2.30 ³	4.48 ⁴	8.96
	24	-	-	-	0.77 ²	3.49 ³	-	-	0.38 ²	1.95 ³	5.51 ³	-	-	0.71 ²	2.85 ³	7.15 ³
16	12	-	-	0.85 ²	1.95 ³	4.56 ³	-	-	1.60 ³	3.09 ³	6.44 ⁴	-	-	2.09 ³	4.03 ³	8.00
	16	-	-	0.10 ²	1.16 ²	3.76 ³	-	-	0.78 ²	2.21 ³	5.42 ³	-	-	1.14 ²	3.04 ³	6.89 ³
	24	-	-	-	-	2.34 ²	-	-	-	0.67 ²	3.64 ²	-	-	-	1.32 ²	4.94 ³

40 psf Lateral Load

Wall Height (ft)	Spacing (in) oc	800S137				800S162					800S200				
		33 ksi		50 ksi		33 ksi		50 ksi			33 ksi		50 ksi		
		43	54	68	97	43	54	68	97	118	43	54	68	97	118
8	12	1.88	3.12	4.32	6.81	2.70	4.84	6.67	10.69	13.81	3.71	6.99	9.60	15.33	19.82
	16	1.67	2.95	4.16	6.66	2.45	4.62	6.45	10.48	13.62	3.42	6.71	9.34	15.08	19.58
	24	1.26	2.62	3.84	6.36	1.97	4.17	6.02	10.05	13.25	2.85	6.15	8.83	14.59	19.09
9	12	1.71	2.98	4.18	6.68	2.50	4.65	6.48	10.51	13.65	3.47	6.75	9.38	15.11	19.60
	16	1.45	2.77	3.98	6.49	2.19	4.37	6.20	10.23	13.41	3.11	6.39	9.05	14.79	19.29
	24	0.94	2.35	3.57	6.11	1.57	3.80	5.65	9.69	12.93	2.39	5.67	8.39	14.16	18.66
10	12	1.52	2.83	4.03	6.54	2.27	4.43	6.27	10.29	13.46	3.20	6.47	9.12	14.85	19.35
	16	1.20	2.56	3.78	6.30	1.89	4.08	5.92	9.95	13.16	2.75	6.02	8.70	14.45	18.95
	24	0.58	2.04	3.28	5.82	1.14	3.39	5.24	9.27	12.56	1.88	5.14	7.89	13.66	18.16
12	12	1.09	2.46	3.67	6.19	1.74	3.93	5.76	9.77	12.99	2.57	5.81	8.49	14.22	18.71
	16	0.64	2.08	3.30	5.84	1.21	3.42	5.26	9.27	12.55	1.94	5.16	7.89	13.63	18.11
	24	-	1.35	2.59	5.14	0.18	2.44	4.29	8.28	11.66	0.74	3.92	6.72	12.46	16.94
14	12	0.59	2.02	3.24	5.76	1.14	3.32	5.14	9.12	12.40	1.83	4.94	7.66	13.41	17.87
	16	-	1.52	2.74	5.27	0.45 ⁴	2.65	4.47	8.42	11.77	1.03	4.10	6.85	12.58	17.02
	24	-	0.57 ³	1.80 ⁴	4.34	-	1.39 ³	3.18	7.09	10.55	-	2.52 ⁴	5.31	10.99	15.40
16	12	-	1.53 ⁴	2.73	5.24	0.49 ⁴	2.63	4.42	8.33	11.65	1.03	3.91	6.52	12.09	16.58
	16	-	0.91 ³	2.11 ⁴	4.62	-	1.81 ³	3.57	7.43	10.82	-	2.91 ⁴	5.53	11.04	15.48
	24	-	-	0.94 ³	3.43 ³	-	0.29 ³	2.00 ³	5.74 ⁴	9.24	-	1.09 ³	3.71 ³	9.07	13.40

50 psf Lateral Load

Wall Height (ft)	Spacing (in) oc	350S162				362S137				362S162				362S200			
		33 ksi		50 ksi		33 ksi		50 ksi		33 ksi		50 ksi		33 ksi		50 ksi	
		33	43	54	68	33	43	54	68	33	43	54	68	33	43	54	68
8	12	-	0.76 ³	2.30 ⁴	3.38	-	0.49 ³	1.81 ⁴	2.78	0.16 ³	0.86 ⁴	2.48	3.66	0.37 ³	1.33	3.26	4.79
	16	-	0.21 ³	1.78 ³	2.83 ⁴	-	-	1.33 ³	2.27 ⁴	-	0.31 ³	1.96 ³	3.10 ⁴	-	0.72 ³	2.65 ⁴	4.18
	24	-	-	0.83 ²	1.84 ³	-	-	0.46 ²	1.33 ³	-	-	0.99 ³	2.08 ³	-	-	1.54 ³	3.06 ³
9	12	-	0.29 ³	1.71 ³	2.68 ⁴	-	-	1.32 ³	2.18 ³	-	0.39 ³	1.89 ³	2.94 ⁴	-	0.78 ³	2.54 ⁴	3.93
	16	-	-	1.14 ³	2.07 ³	-	-	0.78 ²	1.61 ³	-	-	1.31 ³	2.32 ³	-	0.11 ³	1.86 ³	3.25 ³
	24	-	-	0.14 ²	1.00 ²	-	-	-	0.60 ²	-	-	0.27 ²	1.21 ²	-	-	0.67 ²	2.02 ³
10	12	-	-	1.17 ³	2.02 ³	-	-	0.85 ²	1.61 ³	-	-	1.34 ³	2.26 ³	-	0.27 ³	1.86 ³	3.11 ³
	16	-	-	0.58 ²	1.39 ²	-	-	0.29 ²	1.01 ²	-	-	0.72 ²	1.61 ³	-	-	1.15 ²	2.38 ³
	24	-	-	-	0.29 ¹	-	-	-	-	-	-	-	0.45 ²	-	-	-	1.10 ²
12	12	-	-	0.32 ¹	0.94 ²	-	-	0.10 ¹	0.66 ²	-	-	0.43 ¹	1.11 ²	-	-	0.75 ²	1.70 ²
	16	-	-	-	0.32 ¹	-	-	-	-	-	-	-	0.46 ¹	-	-	-	0.98 ²
	24	-	-	-	-	-	-	-	-	-	-	-	-	-	-	-	-
14	12	-	-	-	0.21 ¹	-	-	-	-	-	-	-	0.32 ¹	-	-	-	0.72 ¹
	16	-	-	-	-	-	-	-	-	-	-	-	-	-	-	-	-
	24	-	-	-	-	-	-	-	-	-	-	-	-	-	-	-	-
16	12	-	-	-	-	-	-	-	-	-	-	-	-	-	-	-	-
	16	-	-	-	-	-	-	-	-	-	-	-	-	-	-	-	-
	24	-	-	-	-	-	-	-	-	-	-	-	-	-	-	-	-

If no note, deflection meets L/720

¹Deflection meets L/120

²Deflection meets L/240

³Deflection meets L/360

⁴Deflection meets L/600

See Table Notes on page 31.

		50 psf Lateral Load															
Wall Height (ft)	Spacing (in) oc	400S137				400S162				400S200				550S162			
		33 ksi		50 ksi		33 ksi		50 ksi		33 ksi		50 ksi		33 ksi		50 ksi	
		33	43	54	68	33	43	54	68	33	43	54	68	33	43	54	68
8	12	0.10 ³	0.72 ⁴	2.19	3.39	0.37 ⁴	1.15	2.98	4.45	0.60 ⁴	1.67	3.89	5.75	1.07	2.14	4.44	6.30
	16	-	0.21 ³	1.71 ⁴	2.87	-	0.59 ³	2.45	3.87	-	1.07 ⁴	3.27	5.12	0.61	1.71	4.02	5.88
	24	-	-	0.82 ³	1.90 ³	-	-	1.46 ³	2.81 ³	-	-	2.13 ³	3.95 ⁴	-	0.88	3.21	5.08
9	12	-	0.29 ³	1.70 ³	2.82 ⁴	-	0.66 ³	2.39 ⁴	3.73	0.14 ³	1.12 ⁴	3.16	4.89	0.69	1.76	4.04	5.91
	16	-	-	1.15 ³	2.21 ³	-	-	1.78 ³	3.07 ⁴	-	0.43 ³	2.46 ³	4.17	0.14 ⁴	1.23	3.52	5.39
	24	-	-	0.15 ²	1.10 ²	-	-	0.68 ²	1.87 ³	-	-	1.19 ³	2.84 ³	-	0.23 ³	2.52 ⁴	4.38
10	12	-	-	1.22 ³	2.21 ³	-	0.20 ³	1.81 ³	3.01 ⁴	-	0.58 ³	2.45 ³	4.03 ⁴	0.29 ⁴	1.35	3.56	5.46
	16	-	-	0.62 ²	1.55 ³	-	-	1.14 ³	2.29 ³	-	-	1.69 ³	3.23 ³	-	0.73 ⁴	2.94	4.82
	24	-	-	-	0.37 ²	-	-	-	1.00 ²	-	-	0.35 ²	1.82 ²	-	-	1.78 ³	3.61 ⁴
12	12	-	-	0.37 ²	1.11 ²	-	-	0.78 ²	1.70 ²	-	-	1.20 ²	2.45 ³	-	0.50 ³	2.51 ⁴	4.24
	16	-	-	-	0.41 ¹	-	-	-	0.94 ²	-	-	0.41 ²	1.61 ²	-	-	1.74 ³	3.42 ³
	24	-	-	-	-	-	-	-	-	-	-	-	0.16 ¹	-	-	0.34 ²	1.93 ³
14	12	-	-	-	0.28 ¹	-	-	-	0.70 ¹	-	-	0.28 ¹	1.23 ²	-	-	1.49 ³	2.98 ³
	16	-	-	-	-	-	-	-	-	-	-	0.43 ¹	-	-	-	0.63 ²	2.06 ²
	24	-	-	-	-	-	-	-	-	-	-	-	-	-	-	-	0.43 ¹
16	12	-	-	-	-	-	-	-	-	-	-	0.39 ¹	-	-	-	0.60 ²	1.84 ²
	16	-	-	-	-	-	-	-	-	-	-	-	-	-	-	-	0.89 ¹
	24	-	-	-	-	-	-	-	-	-	-	-	-	-	-	-	-

		50 psf Lateral Load														
Wall Height (ft)	Spacing (in) oc	600S137					600S162					600S200				
		33 ksi		50 ksi			33 ksi		50 ksi			33 ksi		50 ksi		
		33	43	54	68	97	33	43	54	68	97	33	43	54	68	97
8	12	0.75	1.51	2.96	4.22	6.83	1.21	2.28	4.56	6.43	10.39	1.60	2.98	6.12	8.72	14.40
	16	0.39	1.16	2.66	3.92	6.57	0.78	1.89	4.18	6.06	10.03	1.16	2.50	5.64	8.27	13.94
	24	-	0.46	2.06	3.32	6.05	-	1.12	3.45	5.34	9.31	0.30	1.58	4.71	7.39	13.05
9	12	0.46	1.21	2.70	3.95	6.59	0.86	1.95	4.22	6.09	10.05	1.23	2.55	5.61	8.19	13.77
	16	-	0.78	2.31	3.57	6.26	0.34	1.46	3.75	5.62	9.58	0.68	1.97	5.02	7.63	13.19
	24	-	-	1.57	2.83	5.60	-	0.52 ⁴	2.83	4.71	8.67	-	0.85	3.87	6.53	12.06
10	12	0.14 ⁴	0.89	2.40	3.65	6.32	0.48	1.58	3.84	5.71	9.65	0.82	2.08	5.05	7.59	13.03
	16	-	0.37 ⁴	1.93	3.18	5.91	-	0.99	3.27	5.13	9.07	0.19 ⁴	1.39	4.33	6.90	12.32
	24	-	-	1.04 ³	2.29 ⁴	5.10	-	-	2.17 ⁴	4.02	7.94	-	0.10 ⁴	2.99	5.59	10.94
12	12	-	0.20 ³	1.73 ⁴	2.95	5.66	-	0.76 ⁴	2.94	4.79	8.66	-	1.10 ⁴	3.79	6.20	11.25
	16	-	-	1.10 ³	2.31 ⁴	5.07	-	-	2.17 ³	3.99 ⁴	7.81	-	0.23 ³	2.88 ⁴	5.29	10.27
	24	-	-	-	1.11 ³	3.94 ³	-	-	0.77 ³	2.52 ³	6.24 ⁴	-	-	1.21 ³	3.62 ³	8.45
14	12	-	-	1.00 ³	2.16 ³	4.86 ⁴	-	-	1.92 ³	3.60 ³	7.39	-	0.14 ³	2.52 ³	4.70 ⁴	9.21
	16	-	-	0.24 ²	1.36 ³	4.08 ³	-	-	1.03 ²	2.65 ³	6.32 ³	-	-	1.48 ³	3.64 ³	8.03 ⁴
	24	-	-	-	-	2.66 ²	-	-	-	0.97 ²	4.39 ³	-	-	-	1.75 ²	5.91 ³
16	12	-	-	0.28 ²	1.35 ²	3.95 ³	-	-	0.98 ²	2.42 ³	5.67 ³	-	-	1.37 ³	3.28 ³	7.16 ⁴
	16	-	-	-	0.44 ²	3.02 ²	-	-	-	1.41 ²	4.50 ³	-	-	0.28 ²	2.15 ²	5.88 ³
	24	-	-	-	-	1.39 ¹	-	-	-	-	2.47 ²	-	-	-	0.18 ¹	3.64 ²

		50 psf Lateral Load														
Wall Height (ft)	Spacing (in) oc	800S137					800S162					800S200				
		33 ksi		50 ksi			33 ksi		50 ksi			33 ksi		50 ksi		
		43	54	68	97	43	54	68	97	118	43	54	68	97	118	
8	12	1.72	3.00	4.20	6.70	2.52	4.67	6.51	10.53	13.67	3.49	6.78	9.41	15.14	19.64	
	16	1.47	2.79	4.00	6.51	2.21	4.39	6.23	10.26	13.44	3.14	6.43	9.09	14.83	19.33	
	24	0.96	2.37	3.60	6.13	1.61	3.84	5.69	9.73	12.97	2.43	5.73	8.45	14.22	18.73	
9	12	1.51	2.82	4.03	6.54	2.26	4.44	6.27	10.30	13.47	3.20	6.48	9.13	14.87	19.37	
	16	1.19	2.56	3.78	6.30	1.88	4.08	5.93	9.96	13.17	2.75	6.03	8.72	14.47	18.97	
	24	0.56	2.04	3.27	5.82	1.12	3.38	5.24	9.28	12.57	1.86	5.15	7.90	13.69	18.20	
10	12	1.28	2.63	3.84	6.36	1.98	4.17	6.01	10.03	13.23	2.86	6.13	8.81	14.55	19.05	
	16	0.89	2.30	3.53	6.06	1.51	3.73	5.58	9.61	12.86	2.31	5.58	8.30	14.06	18.56	
	24	0.12	1.66	2.90	5.46	0.59	2.88	4.74	8.77	12.11	1.24	4.50	7.29	13.07	17.58	
12	12	0.75	2.17	3.40	5.92	1.34	3.55	5.38	9.39	12.66	2.10	5.32	8.04	13.78	18.26	
	16	0.20	1.71	2.94	5.49	0.69	2.93	4.77	8.77	12.10	1.33	4.53	7.30	13.04	17.52	
	24	-	0.82 ⁴	2.07	4.63	-	1.74	3.58	7.56	11.01	-	3.03	5.87	11.61	16.08	
14	12	0.16 ⁴	1.64	2.87	5.39	0.62	2.81	4.63	8.60	11.92	1.22	4.30	7.05	12.79	17.23	
	16	-	1.04 ⁴	2.27	4.80	-	2.01 ⁴	3.81	7.75	11.15	0.26 ⁴	3.29	6.07	11.77	16.20	
	24	-	-	1.12 ³	3.66 ⁴	-	0.50 ³	2.27 ³	6.13	9.67	-	1.41 ³	4.22 ⁴	9.85	14.23	
16	12	-	1.06 ³	2.27 ⁴	4.77	-	2.01 ⁴	3.78	7.65	11.02	0.32 ³	3.15	5.77	11.30	15.75	
	16	-	0.32 ³	1.52 ³	4.01 ⁴	-	1.03 ³	2.76 ³	6.57	10.01	-	1.97 ³	4.60 ⁴	10.03	14.42	
	24	-	-	0.12 ²	2.58 ³	-	-	0.90 ³	4.56 ³	8.12 ⁴	-	-	2.45 ³	7.70 ⁴	11.95	

If no note, deflection meets L/720

¹Deflection meets L/120

²Deflection meets L/240

³Deflection meets L/360

⁴Deflection meets L/600

See Table Notes on page 31.

Table Notes

1. Spans are based on continuous support of compression flange over the full length of the joist.
2. Spans are based on tension flange laterally braced at maximum spacing of 8'-0".
3. For two equal spans, the listed span is the distance from either end to the center support, with the joist continuous over the center support.
4. Joists must be braced against rotation at all supports.
5. End shear and web crippling capacity have not been reduced for punchouts.
6. End web crippling check is based on 3 1/2" end bearing. Where listed allowable spans are followed by "e", web stiffeners are required at end supports.
7. Interior support not checked for combined bending and web crippling. Web stiffeners are required at interior supports.
8. Shear capacity at interior support has been reduced for the presence of punchouts adjacent to the supports. Combined bending and shear check is based on unreinforced web in accordance with AISI S100 Section C 3.3.1.
9. Total load deflection is limited to L/240. Live load deflection limit is as noted.
10. Alternate span live loading has been considered for two equal span conditions.
11. See page 5 for additional table notes.

Floor Joist Bridging and Bracing Requirements

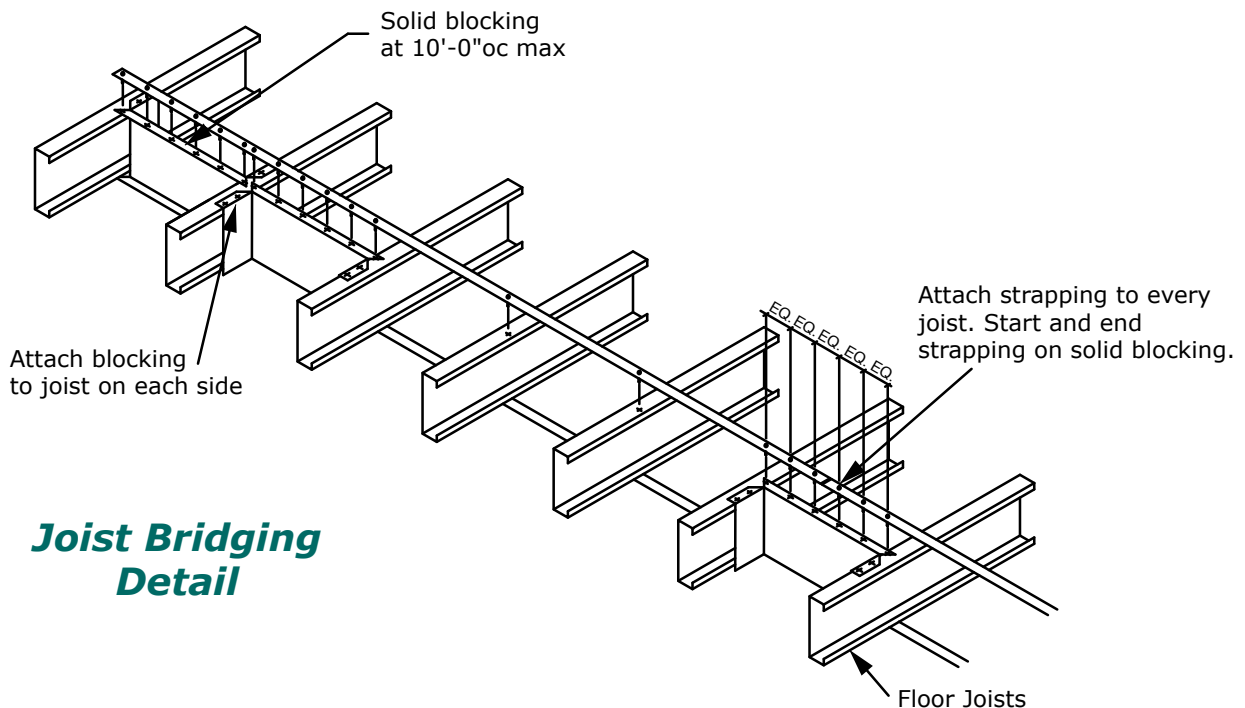
Bracing components shall be designed in accordance with AISI S100 Section D3. The minimum number of rows required is shown in the table. Additional rows of bridging may be required by design.

Span	Minimum Number of Rows
Up to 16'	1 row at mid-span
16' to 24'	2 rows at 1/3 points
24' to 32'	3 rows at 1/4 points

General Note:
All connections should be designed by a licensed design professional.

Blocking Note

Place solid blocking adjacent to all openings and two bays at ends of joist system



Joist Bridging Detail

10 psf Dead Load and 20 psf Live Load

Section	F _y (ksi)	L/360 Live Load Deflection						L/480 Live Load Deflection					
		Single Span			Double Span			Single Span			Double Span		
		Spacing (in) on center			Spacing (in) on center			Spacing (in) on center			Spacing (in) on center		
		12	16	24	12	16	24	12	16	24	12	16	24
600S162-33	33	14' 6"	12' 7" ^e	10' 3" ^e	14' 6"	12' 7"	10' 1"	14' 4"	12' 7" ^e	10' 3" ^e	14' 6"	12' 7"	10' 1"
600S200-33	33	15' 6"	13' 5" ^e	10' 11" ^e	15' 6"	13' 3"	10' 5"	15' 0"	13' 5" ^e	10' 11" ^e	15' 6"	13' 3"	10' 5"
600S162-43	33	17' 2"	15' 6"	12' 8"	17' 11"	15' 6"	12' 8"	15' 7"	14' 2"	12' 5"	17' 6"	15' 6"	12' 8"
600S200-43	33	18' 0"	16' 0"	13' 1"	18' 6"	16' 0"	13' 1"	16' 5"	14' 11"	13' 0"	18' 5"	16' 0"	13' 1"
600S250-43	33	18' 11"	16' 5"	13' 5" ^e	19' 0"	16' 5"	13' 5"	17' 2"	15' 7"	13' 5" ^e	19' 0"	16' 5"	13' 5"
600S162-54	50	18' 5"	16' 9"	14' 7"	20' 8"	18' 9"	16' 5"	16' 9"	15' 2"	13' 3"	18' 9"	17' 1"	14' 11"
600S200-54	50	19' 4"	17' 7"	15' 4"	21' 9"	19' 9"	17' 3"	17' 7"	16' 0"	14' 0"	19' 9"	17' 11"	15' 8"
600S250-54	50	20' 3"	18' 5"	16' 1"	22' 9"	20' 8"	17' 10"	18' 5"	16' 9"	14' 8"	20' 8"	18' 10"	16' 5"
600S162-68	50	19' 9"	17' 11"	15' 8"	22' 2"	20' 2"	17' 7"	17' 11"	16' 4"	14' 3"	20' 2"	18' 4"	16' 0"
600S200-68	50	20' 9"	18' 10"	16' 6"	23' 4"	21' 2"	18' 6"	18' 10"	17' 2"	15' 0"	21' 2"	19' 3"	16' 10"
600S250-68	50	21' 9"	19' 9"	17' 3"	24' 5"	22' 3"	19' 5"	19' 9"	18' 0"	15' 8"	22' 3"	20' 2"	17' 8"
600S162-97	50	21' 11"	19' 11"	17' 4"	24' 7"	22' 4"	19' 6"	19' 11"	18' 1"	15' 9"	22' 4"	20' 3"	17' 9"
600S200-97	50	23' 1"	20' 11"	18' 4"	25' 11"	23' 6"	20' 7"	20' 11"	19' 0"	16' 8"	23' 6"	21' 4"	18' 8"
600S250-97	50	24' 3"	22' 0"	19' 3"	27' 2"	24' 8"	21' 7"	22' 0"	20' 0"	17' 6"	24' 8"	22' 5"	19' 7"
600S162-118	50	23' 1"	21' 0"	18' 4"	25' 11"	23' 7"	20' 7"	21' 0"	19' 1"	16' 8"	23' 7"	21' 5"	18' 9"
600S200-118	50	24' 5"	22' 2"	19' 4"	27' 5"	24' 11"	21' 9"	22' 2"	20' 2"	17' 7"	24' 11"	22' 7"	19' 9"
600S250-118	50	25' 8"	23' 4"	20' 4"	28' 9"	26' 2"	22' 10"	23' 4"	21' 2"	18' 6"	26' 2"	23' 9"	20' 9"
800S162-33	33	16' 9" ^e	14' 6" ^e	11' 10" ^e	15' 8" ^e	13' 0" ^e	9' 10" ^e	16' 9" ^e	14' 6" ^e	11' 10" ^e	15' 8" ^e	13' 0" ^e	9' 10" ^e
800S200-33	33	18' 0" ^e	15' 7" ^e	12' 8" ^e	16' 6" ^e	13' 8" ^e	10' 3" ^e	18' 0" ^e	15' 7" ^e	12' 8" ^e	16' 6" ^e	13' 8" ^e	10' 3" ^e
800S162-43	33	20' 2"	17' 6"	14' 3" ^e	20' 2"	17' 6"	13' 11"	19' 6"	17' 6"	14' 3" ^e	20' 2"	17' 6"	13' 11"
800S200-43	33	21' 7"	18' 8"	15' 3" ^e	21' 7"	18' 8"	15' 3"	20' 7"	18' 8"	15' 3" ^e	21' 7"	18' 8"	15' 3"
800S250-43	33	22' 2"	19' 2" ^e	15' 8" ^e	22' 2"	19' 2"	15' 6"	21' 5"	19' 2" ^e	15' 8" ^e	22' 2"	19' 2"	15' 6"
800S162-54	50	23' 3"	21' 1"	18' 4"	26' 0"	23' 5"	19' 1"	21' 1"	19' 2"	16' 9"	23' 8"	21' 6"	18' 9"
800S200-54	50	24' 4"	22' 1"	19' 4"	27' 4"	24' 10"	20' 5"	22' 1"	20' 1"	17' 6"	24' 10"	22' 6"	19' 8"
800S250-54	50	25' 4"	23' 1"	20' 2"	28' 6"	25' 6"	20' 10"	23' 1"	20' 11"	18' 3"	25' 10"	23' 6"	20' 6"
800S162-68	50	24' 11"	22' 8"	19' 9"	28' 0"	25' 5"	22' 3"	22' 8"	20' 7"	18' 0"	25' 5"	23' 1"	20' 2"
800S200-68	50	26' 1"	23' 9"	20' 9"	29' 4"	26' 8"	23' 3"	23' 9"	21' 7"	18' 10"	26' 8"	24' 2"	21' 2"
800S250-68	50	27' 3"	24' 9"	21' 8"	30' 7"	27' 10"	24' 3"	24' 9"	22' 6"	19' 8"	27' 10"	25' 3"	22' 1"
800S162-97	50	27' 8"	25' 2"	22' 0"	31' 1"	28' 3"	24' 8"	25' 2"	22' 10"	20' 0"	28' 3"	25' 8"	22' 5"
800S200-97	50	29' 0"	26' 5"	23' 1"	32' 7"	29' 7"	25' 11"	26' 5"	24' 0"	20' 11"	29' 7"	26' 11"	23' 6"
800S250-97	50	30' 4"	27' 7"	24' 1"	34' 1"	30' 11"	27' 1"	27' 7"	25' 1"	21' 11"	30' 11"	28' 2"	24' 7"
800S162-118	50	29' 4"	26' 7"	23' 3"	32' 11"	29' 11"	26' 1"	26' 7"	24' 2"	21' 1"	29' 11"	27' 2"	23' 9"
800S200-118	50	30' 9"	27' 11"	24' 5"	34' 6"	31' 5"	27' 5"	27' 11"	25' 5"	22' 2"	31' 5"	28' 6"	24' 11"
800S250-118	50	32' 2"	29' 3"	25' 6"	36' 1"	32' 10"	28' 8"	29' 3"	26' 7"	23' 2"	32' 10"	29' 10"	26' 1"
1000S162-43	33	22' 4" ^e	19' 4" ^e	15' 10" ^e	22' 3" ^e	18' 10" ^e	14' 8" ^e	22' 4" ^e	19' 4" ^e	15' 10" ^e	22' 3" ^e	18' 10" ^e	14' 8" ^e
1000S200-43	33	24' 1" ^e	20' 11" ^e	17' 1" ^e	23' 5" ^e	19' 9" ^e	15' 4" ^e	24' 1" ^e	20' 11" ^e	17' 1" ^e	23' 5" ^e	19' 9" ^e	15' 4" ^e
1000S250-43	33	24' 10" ^e	21' 6" ^e	17' 6" ^e	24' 5" ^e	20' 6" ^e	15' 10" ^e	24' 10" ^e	21' 6" ^e	17' 6" ^e	24' 5" ^e	20' 6" ^e	15' 10" ^e
1000S162-54	50	27' 7"	25' 0"	21' 2"	29' 11"	25' 11"	21' 2"	25' 2"	22' 10"	19' 11"	28' 2"	25' 6"	21' 2"
1000S200-54	50	28' 10"	26' 2"	22' 9"	32' 2"	27' 10"	22' 2"	26' 4"	23' 10"	20' 9"	29' 5"	26' 8"	22' 2"
1000S250-54	50	30' 3"	27' 6"	23' 4"	33' 1"	28' 8"	23' 1"	27' 6"	25' 0"	21' 10"	30' 10"	28' 1"	23' 1"
1000S162-68	50	30' 0"	27' 2"	23' 8"	33' 6"	30' 5"	25' 0"	27' 3"	24' 9"	21' 7"	30' 7"	27' 9"	24' 2"
1000S200-68	50	31' 3"	28' 5"	24' 9"	35' 0"	31' 9"	26' 9"	28' 5"	25' 10"	22' 7"	31' 11"	28' 11"	25' 3"
1000S250-68	50	32' 6"	29' 7"	25' 10"	36' 6"	33' 2"	27' 6"	29' 7"	26' 10"	23' 5"	33' 2"	30' 2"	26' 4"
1000S162-97	50	33' 4"	30' 4"	26' 6"	37' 5"	34' 0"	29' 9"	30' 4"	27' 6"	24' 1"	34' 0"	30' 11"	27' 0"
1000S200-97	50	34' 10"	31' 8"	27' 8"	39' 1"	35' 6"	31' 0"	31' 8"	28' 9"	25' 1"	35' 6"	32' 3"	28' 2"
1000S250-97	50	36' 3"	32' 11"	28' 9"	40' 9"	37' 0"	32' 4"	32' 11"	29' 11"	26' 2"	37' 0"	33' 7"	29' 4"
1000S162-118	50	35' 4"	32' 1"	28' 0"	39' 8"	36' 0"	31' 6"	32' 1"	29' 2"	25' 6"	36' 0"	32' 9"	28' 7"
1000S200-118	50	36' 11"	33' 7"	29' 4"	41' 6"	37' 8"	32' 11"	33' 7"	30' 6"	26' 8"	37' 8"	34' 3"	29' 11"
1000S250-118	50	38' 6"	35' 0"	30' 7"	43' 2"	39' 3"	34' 4"	35' 0"	31' 9"	27' 9"	39' 3"	35' 8"	31' 2"

^e" web stiffeners required at ends.

Web stiffeners required at interior supports for double span conditions.

See Table Notes on page 42.

10 psf Dead Load and 20 psf Live Load

Section	F _y (ksi)	L/360 Live Load Deflection						L/480 Live Load Deflection					
		Single Span			Double Span			Single Span			Double Span		
		Spacing (in) on center			Spacing (in) on center			Spacing (in) on center			Spacing (in) on center		
		12	16	24	12	16	24	12	16	24	12	16	24
1200S162-54	50	31' 9"	27' 11"	22' 10"	32' 3"	27' 11"	22' 5"	29' 0"	26' 3"	22' 10"	32' 3"	27' 11"	22' 5"
1200S200-54	50	33' 2"	30' 0"	24' 8"	34' 10"	29' 7"	23' 2"	30' 3"	27' 5"	23' 10"	33' 9"	29' 7"	23' 2"
1200S250-54	50	34' 6"	31' 2"	25' 6"	35' 5"	30' 0"	23' 5"	31' 5"	28' 6"	24' 10"	35' 1"	30' 0"	23' 5"
1200S162-68	50	34' 8"	31' 5"	27' 1"	38' 4"	33' 2"	27' 1"	31' 7"	28' 8"	24' 11"	35' 3"	32' 0"	27' 1"
1200S200-68	50	36' 1"	32' 9"	28' 6"	40' 4"	35' 9"	29' 2"	32' 11"	29' 10"	26' 0"	36' 9"	33' 4"	29' 0"
1200S250-68	50	37' 6"	34' 0"	29' 7"	41' 11"	36' 11"	30' 1"	34' 2"	31' 0"	27' 0"	38' 2"	34' 8"	30' 1"
1200S162-97	50	38' 11"	35' 4"	30' 11"	43' 8"	39' 8"	34' 8"	35' 4"	32' 1"	28' 1"	39' 8"	36' 1"	31' 6"
1200S200-97	50	40' 6"	36' 10"	32' 2"	45' 6"	41' 4"	36' 1"	36' 10"	33' 5"	29' 3"	41' 4"	37' 7"	32' 10"
1200S250-97	50	42' 1"	38' 2"	33' 4"	47' 2"	42' 11"	37' 6"	38' 2"	34' 8"	30' 4"	42' 11"	39' 0"	34' 1"
1200S162-118	50	41' 3"	37' 6"	32' 9"	46' 4"	42' 1"	36' 9"	37' 6"	34' 1"	29' 9"	42' 1"	38' 3"	33' 5"
1200S200-118	50	43' 0"	39' 1"	34' 1"	48' 3"	43' 10"	38' 4"	39' 1"	35' 6"	31' 0"	43' 10"	39' 10"	34' 10"
1200S250-118	50	44' 8"	40' 7"	35' 5"	50' 2"	45' 7"	39' 9"	40' 7"	36' 10"	32' 2"	45' 7"	41' 5"	36' 2"
1200S300-118	50	46' 2"	42' 0"	36' 8"	51' 10"	47' 1"	41' 2"	42' 0"	38' 2"	33' 4"	47' 1"	42' 10"	37' 5"
1200S350-118	50	48' 5"	44' 0"	38' 5"	54' 5"	49' 5"	43' 2"	44' 0"	40' 0"	34' 11"	49' 5"	44' 11"	39' 3"
1400S162-54	50	34' 0"	29' 6"	24' 1"	34' 0"	29' 6"	22' 9"	32' 7"	29' 6"	24' 1"	34' 0"	29' 6"	22' 9"
1400S200-54	50	37' 0"	32' 1"	26' 2"	36' 4"	30' 6"	23' 4"	34' 0"	30' 10"	26' 2"	36' 4"	30' 6"	23' 4"
1400S250-54	50	38' 6"	33' 4"	27' 2"	36' 11"	30' 10"	23' 7"	35' 4"	32' 0"	27' 2"	36' 11"	30' 10"	23' 7"
1400S300-54	50	39' 5"	34' 1"	27' 10"	37' 2"	31' 1"	23' 9"	36' 5"	32' 11"	27' 10"	37' 2"	31' 1"	23' 9"
1400S350-54	50	42' 8"	38' 4"	31' 4"	40' 7"	33' 8"	25' 3"	38' 10"	35' 3"	30' 8"	40' 7"	33' 8"	25' 3"
1400S162-68	50	39' 1"	35' 3"	28' 9"	40' 8"	35' 3"	28' 9"	35' 8"	32' 4"	28' 2"	39' 9"	35' 3"	28' 9"
1400S200-68	50	40' 8"	36' 10"	31' 1"	44' 0"	38' 1"	31' 1"	37' 1"	33' 8"	29' 3"	41' 5"	37' 6"	31' 1"
1400S250-68	50	42' 2"	38' 3"	32' 3"	45' 8"	39' 6"	31' 11"	38' 6"	34' 11"	30' 5"	43' 0"	38' 11"	31' 11"
1400S300-68	50	43' 7"	39' 5"	33' 0"	46' 9"	40' 6"	32' 4"	39' 9"	36' 0"	31' 5"	44' 5"	40' 1"	32' 4"
1400S350-68	50	46' 1"	41' 10"	36' 7"	51' 9"	45' 2"	35' 11"	41' 10"	38' 0"	33' 3"	47' 0"	42' 8"	35' 11"
1400S162-97	50	44' 5"	40' 4"	35' 2"	49' 9"	45' 1"	37' 8"	40' 4"	36' 8"	32' 0"	45' 4"	41' 2"	35' 10"
1400S200-97	50	46' 1"	41' 11"	36' 6"	51' 8"	46' 10"	40' 5"	41' 11"	38' 1"	33' 3"	47' 0"	42' 9"	37' 3"
1400S250-97	50	47' 9"	43' 4"	37' 10"	53' 6"	48' 7"	41' 11"	43' 4"	39' 5"	34' 5"	48' 8"	44' 3"	38' 7"
1400S300-97	50	49' 3"	44' 9"	39' 1"	55' 3"	50' 2"	42' 11"	44' 9"	40' 8"	35' 6"	50' 3"	45' 8"	39' 10"
1400S350-97	50	51' 6"	46' 9"	40' 11"	57' 10"	52' 6"	45' 11"	46' 9"	42' 6"	37' 2"	52' 6"	47' 9"	41' 8"
1400S162-118	50	47' 2"	42' 10"	37' 5"	52' 11"	48' 1"	42' 0"	42' 10"	38' 11"	34' 0"	48' 1"	43' 8"	38' 2"
1400S200-118	50	48' 11"	44' 6"	38' 10"	55' 0"	49' 11"	43' 8"	44' 6"	40' 5"	35' 4"	49' 11"	45' 4"	39' 8"
1400S250-118	50	50' 9"	46' 1"	40' 3"	56' 11"	51' 9"	45' 2"	46' 1"	41' 10"	36' 7"	51' 9"	47' 0"	41' 1"
1400S300-118	50	52' 4"	47' 7"	41' 7"	58' 9"	53' 5"	46' 8"	47' 7"	43' 3"	37' 9"	53' 5"	48' 6"	42' 5"
1400S350-118	50	54' 9"	49' 9"	43' 6"	61' 6"	55' 10"	48' 10"	49' 9"	45' 3"	39' 6"	55' 10"	50' 9"	44' 4"
1600S162-68	50	42' 8"	36' 11"	30' 2"	42' 8"	36' 11"	30' 2"	39' 7"	35' 10"	30' 2"	42' 8"	36' 11"	30' 2"
1600S200-68	50	45' 0"	40' 1"	32' 8"	46' 3"	40' 1"	32' 8"	41' 2"	37' 3"	32' 5"	45' 10"	40' 1"	32' 8"
1600S250-68	50	46' 8"	41' 9"	34' 1"	48' 3"	41' 9"	33' 0"	42' 7"	38' 7"	33' 7"	47' 6"	41' 9"	33' 0"
1600S300-68	50	48' 2"	42' 11"	35' 1"	49' 7"	42' 5"	33' 4"	44' 0"	39' 10"	34' 8"	49' 0"	42' 5"	33' 4"
1600S350-68	50	50' 5"	45' 9"	39' 4"	54' 8"	46' 3"	36' 1"	46' 0"	41' 9"	36' 4"	51' 5"	46' 3"	36' 1"
1600S162-97	50	49' 8"	45' 0"	39' 2"	55' 5"	48' 9"	39' 10"	45' 4"	41' 1"	35' 9"	50' 7"	45' 10"	39' 10"
1600S200-97	50	51' 6"	46' 8"	40' 7"	57' 6"	52' 1"	42' 10"	46' 11"	42' 7"	37' 1"	52' 5"	47' 7"	41' 5"
1600S250-97	50	53' 3"	48' 3"	42' 0"	59' 6"	53' 11"	44' 7"	48' 6"	44' 0"	38' 4"	54' 3"	49' 2"	42' 10"
1600S300-97	50	54' 10"	49' 9"	43' 4"	61' 4"	55' 7"	45' 9"	49' 11"	45' 4"	39' 6"	55' 11"	50' 9"	44' 2"
1600S350-97	50	57' 3"	52' 0"	45' 4"	64' 1"	58' 2"	50' 7"	52' 1"	47' 4"	41' 3"	58' 5"	53' 0"	46' 2"
1600S162-118	50	53' 0"	48' 2"	42' 1"	59' 6"	54' 0"	46' 5"	48' 2"	43' 9"	38' 2"	54' 0"	49' 1"	42' 11"
1600S200-118	50	54' 10"	49' 10"	43' 7"	61' 7"	56' 0"	48' 9"	49' 10"	45' 4"	39' 7"	56' 0"	50' 10"	44' 5"
1600S250-118	50	56' 8"	51' 6"	45' 0"	63' 8"	57' 10"	50' 5"	51' 6"	46' 10"	40' 11"	57' 10"	52' 7"	45' 11"
1600S300-118	50	58' 5"	53' 1"	46' 4"	65' 7"	59' 7"	52' 0"	53' 1"	48' 3"	42' 2"	59' 7"	54' 2"	47' 4"
1600S350-118	50	61' 0"	55' 5"	48' 5"	68' 6"	62' 3"	54' 4"	55' 5"	50' 4"	44' 0"	62' 3"	56' 6"	49' 5"

"e" web stiffeners required at ends.

Web stiffeners required at interior supports for double span conditions.

See Table Notes on page 42.



10 psf Dead Load and 30 psf Live Load

Section	F _y (ksi)	L/360 Live Load Deflection						L/480 Live Load Deflection					
		Single Span			Double Span			Single Span			Double Span		
		Spacing (in) on center			Spacing (in) on center			Spacing (in) on center			Spacing (in) on center		
		12	16	24	12	16	24	12	16	24	12	16	24
600S162-33	33	12' 7"e	10' 11"e	8' 11"e	12' 7"	10' 10"	8' 5"e	12' 6"e	10' 11"e	8' 11"e	12' 7"	10' 10"	8' 5"e
600S200-33	33	13' 5"e	11' 7"e	9' 6"e	13' 3"	11' 2"	8' 8"e	13' 2"e	11' 7"e	9' 6"e	13' 3"	11' 2"	8' 8"e
600S162-43	33	15' 0"	13' 5"	11' 0"e	15' 6"	13' 5"	11' 0"	13' 8"	12' 5"	10' 10"e	15' 4"	13' 5"	11' 0"
600S200-43	33	15' 9"	13' 10"	11' 4"e	16' 0"	13' 10"	11' 4"	14' 4"	13' 0"	11' 4"e	16' 0"	13' 10"	11' 4"
600S250-43	33	16' 5"	14' 3"	11' 7"e	16' 5"	14' 3"	11' 7"	15' 0"	13' 7"	11' 7"e	16' 5"	14' 3"	11' 7"
600S162-54	50	16' 1"	14' 7"	12' 9"	18' 1"	16' 5"	14' 4"	14' 7"	13' 3"	11' 7"	16' 5"	14' 11"	13' 0"
600S200-54	50	16' 11"	15' 4"	13' 5"	19' 0"	17' 3"	15' 1"	15' 4"	14' 0"	12' 2"	17' 3"	15' 8"	13' 8"
600S250-54	50	17' 9"	16' 1"	14' 1"	19' 11"	18' 1"	15' 6"	16' 1"	14' 8"	12' 9"	18' 1"	16' 5"	14' 4"
600S162-68	50	17' 3"	15' 8"	13' 8"	19' 4"	17' 7"	15' 4"	15' 8"	14' 3"	12' 5"	17' 7"	16' 0"	14' 0"
600S200-68	50	18' 2"	16' 3"	14' 5"	20' 4"	18' 6"	16' 2"	18' 6"	15' 0"	13' 1"	18' 6"	16' 10"	14' 8"
600S250-68	50	19' 0"	17' 3"	15' 1"	21' 4"	19' 5"	16' 11"	17' 3"	15' 8"	13' 9"	19' 5"	17' 8"	15' 5"
600S162-97	50	19' 1"	17' 4"	15' 2"	21' 6"	19' 6"	17' 0"	17' 4"	15' 9"	13' 9"	19' 6"	17' 9"	15' 6"
600S200-97	50	20' 2"	18' 4"	16' 0"	22' 7"	20' 7"	17' 11"	18' 4"	16' 8"	14' 6"	20' 7"	18' 8"	16' 4"
600S250-97	50	21' 2"	19' 3"	16' 9"	23' 9"	21' 7"	18' 10"	19' 3"	17' 6"	15' 3"	21' 2"	19' 7"	17' 2"
600S162-118	50	20' 2"	18' 4"	16' 0"	22' 8"	20' 7"	18' 0"	18' 4"	16' 8"	14' 7"	20' 7"	18' 9"	16' 4"
600S200-118	50	21' 4"	19' 4"	16' 11"	23' 11"	21' 9"	19' 0"	19' 4"	17' 7"	15' 4"	21' 9"	19' 9"	17' 3"
600S250-118	50	22' 5"	20' 4"	17' 9"	25' 2"	22' 10"	20' 0"	20' 4"	18' 6"	16' 2"	22' 10"	20' 9"	18' 3"
800S162-33	33	14' 6"e	12' 7"e	10' 3"e	13' 0"e	10' 9"e	8' 0"e	14' 6"e	12' 7"e	10' 3"e	13' 0"e	10' 9"e	8' 0"e
800S200-33	33	15' 7"e	13' 6"e	11' 0"e	13' 8"e	11' 2"e	8' 2"e	15' 7"e	13' 6"e	11' 0"e	13' 8"e	11' 2"e	8' 2"e
800S162-43	33	17' 6"	15' 2"e	12' 4"e	17' 6"	14' 11"	11' 9"	17' 1"	15' 2"e	12' 4"e	17' 6"	14' 11"	11' 9"
800S200-43	33	18' 8"	16' 2"e	13' 3"e	18' 8"	16' 2"	12' 11"e	18' 0"	16' 2"e	13' 3"e	18' 8"	16' 2"	12' 11"e
800S250-43	33	19' 2"e	16' 7"e	13' 7"e	19' 2"	16' 7"	13' 0"e	18' 9"	16' 7"e	13' 7"e	19' 2"	16' 7"	13' 0"e
800S162-54	50	20' 3"	18' 5"	16' 0"	22' 8"	20' 3"	16' 6"	18' 5"	16' 9"	14' 7"	20' 8"	18' 9"	16' 4"
800S200-54	50	21' 3"	19' 4"	16' 10"	23' 10"	21' 7"	17' 8"	19' 4"	17' 6"	15' 4"	21' 8"	19' 8"	17' 2"
800S250-54	50	22' 2"	20' 2"	17' 7"	24' 11"	22' 1"	18' 1"	20' 2"	18' 3"	16' 0"	22' 7"	20' 6"	17' 11"
800S162-68	50	21' 9"	19' 9"	17' 3"	24' 5"	22' 3"	19' 5"	19' 9"	18' 0"	16' 8"	22' 3"	20' 2"	17' 8"
800S200-68	50	22' 10"	20' 9"	18' 1"	25' 7"	23' 3"	20' 4"	20' 9"	18' 10"	16' 5"	23' 3"	21' 2"	18' 6"
800S250-68	50	23' 10"	21' 8"	18' 11"	26' 9"	24' 3"	21' 2"	21' 8"	19' 8"	17' 2"	24' 3"	22' 1"	19' 3"
800S162-97	50	24' 2"	22' 0"	19' 2"	27' 2"	24' 8"	21' 7"	22' 0"	20' 0"	17' 5"	24' 8"	22' 5"	19' 7"
800S200-97	50	25' 4"	23' 1"	20' 2"	28' 6"	25' 11"	22' 7"	23' 1"	20' 11"	18' 4"	25' 11"	23' 6"	20' 6"
800S250-97	50	26' 6"	24' 1"	21' 0"	29' 9"	27' 1"	23' 7"	24' 1"	21' 11"	19' 1"	27' 1"	24' 7"	21' 6"
800S162-118	50	25' 7"	23' 3"	20' 4"	28' 9"	26' 1"	22' 10"	23' 3"	21' 1"	18' 5"	26' 1"	23' 9"	20' 9"
800S200-118	50	26' 10"	24' 5"	21' 4"	30' 2"	27' 5"	23' 11"	24' 5"	22' 2"	19' 5"	27' 5"	24' 11"	21' 9"
800S250-118	50	28' 1"	25' 6"	22' 4"	31' 7"	28' 8"	25' 1"	25' 6"	23' 2"	20' 3"	28' 8"	26' 1"	22' 9"
1000S162-43	33	19' 4"e	16' 9"e	13' 8"e	18' 10"e	15' 10"e	12' 2"e	19' 4"e	16' 9"e	13' 8"e	18' 10"e	15' 10"e	12' 2"e
1000S200-43	33	20' 11"e	18' 1"e	14' 9"e	19' 9"e	16' 6"e	12' 7"e	20' 11"e	18' 1"e	14' 9"e	19' 9"e	16' 6"e	12' 7"e
1000S250-43	33	21' 6"e	18' 7"e	15' 2"e	20' 6"e	17' 1"e	13' 0"e	21' 6"e	18' 7"e	15' 2"e	20' 6"e	17' 1"e	13' 0"e
1000S162-54	50	24' 1"	21' 10"	18' 4"	25' 11"	22' 6"	18' 2"	22' 0"	19' 11"	17' 4"	24' 7"	22' 3"	18' 2"
1000S200-54	50	25' 2"	22' 10"	19' 9"	27' 10"	23' 8"	18' 9"	23' 0"	20' 10"	18' 2"	25' 8"	23' 3"	18' 9"
1000S250-54	50	26' 5"	24' 0"	20' 3"	28' 8"	24' 9"	19' 6"	24' 0"	21' 10"	19' 1"	27' 0"	24' 6"	19' 6"
1000S162-68	50	26' 2"	23' 9"	20' 8"	29' 3"	26' 6"	21' 8"	23' 9"	21' 7"	18' 10"	26' 8"	24' 2"	21' 1"
1000S200-68	50	27' 4"	24' 10"	21' 7"	30' 7"	27' 9"	23' 2"	24' 10"	22' 7"	19' 8"	27' 10"	25' 3"	22' 0"
1000S250-68	50	28' 5"	25' 10"	22' 7"	31' 11"	29' 0"	23' 10"	25' 10"	23' 5"	20' 6"	29' 0"	26' 4"	23' 0"
1000S162-97	50	29' 2"	26' 6"	23' 1"	32' 8"	29' 9"	26' 0"	26' 6"	24' 1"	21' 0"	29' 9"	27' 0"	23' 7"
1000S200-97	50	30' 5"	27' 8"	24' 2"	34' 2"	31' 0"	27' 1"	27' 8"	25' 1"	21' 11"	31' 0"	28' 2"	24' 8"
1000S250-97	50	31' 8"	28' 9"	25' 2"	35' 7"	32' 4"	28' 3"	28' 9"	26' 2"	22' 10"	32' 4"	29' 4"	25' 8"
1000S162-118	50	30' 10"	28' 0"	24' 6"	34' 8"	31' 6"	27' 6"	28' 0"	25' 6"	22' 3"	31' 6"	28' 7"	25' 0"
1000S200-118	50	32' 3"	29' 4"	25' 7"	36' 3"	32' 11"	28' 9"	29' 4"	26' 8"	23' 3"	32' 11"	29' 11"	26' 1"
1000S250-118	50	33' 7"	30' 7"	26' 8"	37' 9"	34' 4"	29' 11"	30' 7"	27' 9"	24' 3"	34' 4"	31' 2"	27' 3"

"e" web stiffeners required at ends.

Web stiffeners required at interior supports for double span conditions.

See Table Notes on page 42.

10 psf Dead Load and 30 psf Live Load

Section	F _y (ksi)	L/360 Live Load Deflection						L/480 Live Load Deflection					
		Single Span			Double Span			Single Span			Double Span		
		Spacing (in) on center			Spacing (in) on center			Spacing (in) on center			Spacing (in) on center		
		12	16	24	12	16	24	12	16	24	12	16	24
1200S162-54	50	27' 9"	24' 2"	19' 9"	27' 11"	24' 1"	18' 9"	25' 4"	22' 11"	19' 9"	27' 11"	24' 1"	18' 9"
1200S200-54	50	28' 11"	26' 2"	21' 4"	29' 7"	24' 11"	19' 3"	26' 5"	23' 11"	20' 10"	29' 6"	24' 11"	19' 3"
1200S250-54	50	30' 1"	27' 0"	22' 1"	30' 0"	25' 3"	19' 6"	27' 5"	24' 11"	21' 8"	30' 0"	25' 3"	19' 6"
1200S162-68	50	30' 3"	27' 5"	23' 6"	33' 2"	28' 9"	23' 6"	27' 7"	25' 0"	21' 9"	30' 10"	27' 11"	23' 6"
1200S200-68	50	31' 6"	28' 7"	24' 11"	35' 2"	30' 11"	25' 3"	28' 9"	26' 1"	22' 8"	32' 1"	29' 1"	25' 3"
1200S250-68	50	32' 9"	29' 8"	25' 10"	36' 7"	31' 11"	25' 9"	29' 10"	27' 1"	23' 7"	33' 4"	30' 3"	25' 9"
1200S162-97	50	34' 0"	30' 11"	27' 0"	38' 2"	34' 8"	30' 3"	30' 11"	28' 1"	24' 6"	34' 8"	31' 6"	27' 6"
1200S200-97	50	35' 5"	32' 2"	28' 1"	39' 9"	36' 1"	31' 6"	32' 2"	29' 3"	25' 6"	36' 1"	32' 10"	28' 8"
1200S250-97	50	36' 9"	33' 4"	29' 2"	41' 3"	37' 6"	32' 9"	33' 4"	30' 4"	26' 6"	37' 6"	34' 1"	29' 9"
1200S162-118	50	36' 1"	32' 9"	28' 7"	40' 6"	36' 9"	32' 1"	32' 9"	29' 9"	26' 0"	36' 9"	33' 5"	29' 2"
1200S200-118	50	37' 7"	34' 1"	29' 10"	42' 2"	38' 4"	33' 6"	34' 1"	31' 0"	27' 1"	38' 4"	34' 10"	30' 5"
1200S250-118	50	39' 0"	35' 5"	30' 11"	43' 9"	39' 9"	34' 9"	35' 5"	32' 2"	28' 2"	39' 9"	36' 2"	31' 7"
1200S300-118	50	40' 4"	36' 8"	32' 0"	45' 4"	41' 2"	36' 0"	36' 8"	33' 4"	29' 1"	41' 2"	37' 5"	32' 8"
1200S350-118	50	42' 4"	38' 5"	33' 7"	47' 6"	43' 2"	37' 8"	38' 5"	34' 11"	30' 6"	43' 2"	39' 3"	34' 3"
1400S162-54	50	29' 6"	25' 6"	20' 10"	29' 6"	24' 7"	18' 7"	28' 6"	25' 6"	20' 10"	29' 6"	24' 7"	18' 7"
1400S200-54	50	32' 1"	27' 9"	22' 8"	30' 6"	25' 3"	19' 0"	29' 8"	26' 11"	22' 8"	30' 6"	25' 3"	19' 0"
1400S250-54	50	33' 4"	28' 10"	23' 7"	30' 10"	25' 7"	19' 2"	30' 10"	27' 11"	23' 7"	30' 10"	25' 7"	19' 2"
1400S300-54	50	34' 1"	29' 7"	24' 1"	31' 1"	25' 9"	19' 3"	31' 10"	28' 9"	24' 1"	31' 1"	25' 9"	19' 3"
1400S350-54	50	37' 2"	33' 3"	27' 1"	33' 8"	27' 7"	20' 3"	33' 11"	30' 10"	26' 9"	33' 8"	27' 7"	20' 3"
1400S162-68	50	34' 1"	30' 6"	24' 11"	35' 3"	30' 6"	24' 11"	31' 2"	28' 3"	24' 7"	34' 9"	30' 6"	24' 11"
1400S200-68	50	35' 6"	32' 2"	26' 11"	38' 1"	33' 0"	26' 10"	32' 5"	29' 4"	25' 7"	36' 2"	32' 9"	26' 10"
1400S250-68	50	36' 10"	33' 4"	27' 11"	39' 6"	34' 2"	27' 0"	33' 7"	30' 6"	26' 6"	36' 2"	33' 4"	27' 0"
1400S300-68	50	38' 1"	34' 5"	28' 7"	40' 6"	34' 7"	27' 3"	34' 8"	31' 6"	27' 5"	38' 9"	34' 7"	27' 3"
1400S350-68	50	40' 3"	36' 7"	31' 11"	45' 2"	38' 6"	30' 1"	36' 7"	33' 3"	29' 0"	41' 1"	37' 3"	30' 1"
1400S162-97	50	38' 10"	35' 3"	30' 8"	43' 5"	39' 4"	32' 8"	35' 3"	32' 0"	28' 0"	39' 7"	35' 11"	31' 3"
1400S200-97	50	40' 3"	36' 7"	31' 11"	45' 2"	40' 11"	35' 0"	36' 7"	33' 3"	29' 1"	41' 1"	37' 4"	32' 6"
1400S250-97	50	41' 8"	37' 11"	33' 1"	46' 9"	42' 5"	36' 3"	37' 11"	34' 5"	30' 1"	42' 6"	38' 8"	33' 8"
1400S300-97	50	43' 0"	39' 1"	34' 2"	48' 3"	43' 10"	37' 2"	39' 1"	35' 6"	31' 0"	43' 11"	39' 11"	34' 9"
1400S350-97	50	45' 0"	40' 11"	35' 8"	50' 6"	45' 11"	40' 1"	40' 11"	37' 2"	32' 5"	45' 11"	41' 8"	36' 5"
1400S162-118	50	41' 2"	37' 5"	32' 8"	46' 3"	42' 0"	36' 8"	37' 5"	34' 0"	29' 8"	42' 0"	38' 2"	33' 4"
1400S200-118	50	42' 9"	38' 10"	33' 11"	48' 0"	43' 8"	38' 1"	38' 10"	35' 4"	30' 10"	43' 8"	39' 8"	34' 8"
1400S250-118	50	44' 4"	40' 3"	35' 2"	49' 9"	45' 2"	39' 6"	40' 3"	36' 7"	31' 11"	45' 2"	41' 1"	35' 10"
1400S300-118	50	45' 9"	41' 7"	36' 4"	51' 4"	46' 8"	40' 9"	41' 7"	37' 9"	33' 0"	46' 8"	42' 5"	37' 0"
1400S350-118	50	47' 10"	43' 6"	38' 0"	53' 9"	48' 10"	42' 8"	43' 6"	39' 6"	34' 6"	48' 10"	44' 4"	38' 9"
1600S162-68	50	36' 11"	32' 0"	26' 1"	36' 11"	32' 0"	26' 1"	34' 7"	31' 4"	26' 1"	36' 11"	32' 0"	26' 1"
1600S200-68	50	39' 4"	34' 8"	28' 4"	40' 1"	34' 8"	27' 5"	35' 11"	32' 7"	28' 4"	40' 0"	34' 8"	27' 5"
1600S250-68	50	40' 9"	36' 2"	29' 6"	41' 9"	35' 5"	27' 7"	37' 2"	33' 9"	29' 4"	41' 6"	35' 5"	27' 7"
1600S300-68	50	42' 0"	37' 2"	30' 4"	42' 5"	35' 10"	27' 10"	38' 5"	34' 10"	30' 3"	42' 5"	35' 10"	27' 10"
1600S350-68	50	44' 0"	39' 11"	34' 0"	46' 3"	38' 10"	29' 10"	40' 2"	36' 5"	31' 9"	44' 11"	38' 10"	29' 10"
1600S162-97	50	43' 4"	39' 3"	34' 2"	48' 4"	42' 3"	34' 6"	39' 7"	35' 11"	31' 3"	44' 2"	40' 0"	34' 6"
1600S200-97	50	44' 11"	40' 9"	35' 6"	50' 2"	45' 5"	37' 1"	41' 0"	37' 2"	32' 5"	45' 10"	41' 6"	36' 2"
1600S250-97	50	46' 6"	42' 2"	36' 8"	51' 11"	47' 1"	38' 7"	42' 4"	38' 5"	33' 6"	47' 4"	42' 11"	37' 5"
1600S300-97	50	47' 11"	43' 5"	37' 10"	53' 7"	48' 6"	39' 7"	43' 7"	39' 7"	34' 6"	48' 10"	44' 3"	38' 7"
1600S350-97	50	50' 0"	45' 5"	39' 7"	56' 0"	50' 9"	43' 10"	45' 6"	41' 4"	36' 1"	51' 0"	46' 3"	40' 4"
1600S162-118	50	46' 3"	42' 1"	36' 9"	51' 11"	47' 2"	40' 2"	42' 1"	38' 2"	33' 4"	47' 2"	42' 11"	37' 6"
1600S200-118	50	47' 11"	43' 7"	38' 1"	53' 10"	48' 10"	42' 7"	43' 7"	39' 7"	34' 7"	48' 11"	44' 5"	38' 10"
1600S250-118	50	49' 6"	45' 0"	39' 4"	55' 7"	50' 6"	44' 0"	45' 0"	40' 11"	35' 9"	50' 6"	45' 11"	40' 1"
1600S300-118	50	51' 0"	46' 4"	40' 6"	57' 4"	52' 1"	45' 5"	46' 4"	42' 2"	36' 10"	52' 1"	47' 4"	41' 4"
1600S350-118	50	53' 4"	48' 5"	42' 4"	59' 10"	54' 4"	47' 5"	48' 5"	44' 0"	38' 5"	54' 4"	49' 5"	43' 2"

"e" web stiffeners required at ends.

Web stiffeners required at interior supports for double span conditions.

See Table Notes on page 42.

10 psf Dead Load and 40 psf Live Load

Section	Fy (ksi)	L/360 Live Load Deflection						L/480 Live Load Deflection					
		Single Span			Double Span			Single Span			Double Span		
		Spacing (in) on center			Spacing (in) on center			Spacing (in) on center			Spacing (in) on center		
		12	16	24	12	16	24	12	16	24	12	16	24
600S162-33	33	11' 3"	9' 9"	7' 11"	11' 3"	9' 6"	7' 4"	11' 3"	9' 9"	7' 11"	11' 3"	9' 6"	7' 4"
600S200-33	33	12' 0"	10' 4"	8' 6"	11' 7"	9' 9"	7' 6"	11' 11"	10' 4"	8' 6"	11' 7"	9' 9"	7' 6"
600S162-43	33	13' 8"	12' 0"	9' 10"	13' 11"	12' 0"	9' 10"	12' 5"	11' 3"	9' 10"	13' 11"	12' 0"	9' 10"
600S200-43	33	14' 4"	12' 5"	10' 2"	14' 4"	12' 5"	10' 0"	13' 0"	11' 10"	10' 2"	14' 4"	12' 5"	10' 0"
600S250-43	33	14' 8"	12' 9"	10' 5"	14' 8"	12' 9"	10' 2"	13' 7"	12' 4"	10' 5"	14' 8"	12' 9"	10' 2"
600S162-54	50	14' 7"	13' 3"	11' 7"	16' 5"	14' 11"	13' 0"	13' 3"	12' 1"	10' 7"	14' 11"	13' 7"	11' 10"
600S200-54	50	15' 4"	14' 0"	12' 2"	17' 3"	15' 8"	13' 6"	14' 0"	12' 8"	11' 1"	15' 8"	14' 3"	12' 5"
600S250-54	50	16' 1"	14' 8"	12' 9"	18' 1"	16' 5"	13' 10"	14' 8"	13' 3"	11' 7"	16' 5"	14' 11"	13' 0"
600S162-68	50	15' 8"	14' 3"	12' 5"	17' 7"	16' 0"	14' 0"	14' 3"	12' 11"	11' 4"	16' 0"	14' 6"	12' 8"
600S200-68	50	16' 6"	15' 0"	13' 1"	18' 6"	16' 10"	14' 8"	15' 7"	13' 7"	11' 11"	16' 10"	15' 3"	13' 4"
600S250-68	50	17' 3"	15' 8"	13' 9"	19' 5"	17' 8"	15' 5"	15' 8"	14' 3"	12' 6"	17' 8"	16' 0"	14' 0"
600S162-97	50	17' 4"	15' 9"	13' 9"	19' 6"	17' 9"	15' 6"	15' 9"	14' 4"	12' 6"	17' 9"	16' 1"	14' 1"
600S200-97	50	18' 4"	16' 8"	14' 6"	20' 7"	18' 8"	16' 4"	16' 8"	15' 1"	13' 2"	18' 8"	17' 0"	14' 10"
600S250-97	50	19' 3"	17' 6"	15' 3"	21' 7"	19' 7"	17' 2"	17' 6"	15' 10"	13' 10"	18' 7"	17' 10"	15' 7"
600S162-118	50	18' 4"	16' 8"	14' 7"	20' 7"	18' 9"	16' 4"	16' 8"	15' 2"	13' 3"	18' 9"	17' 0"	14' 10"
600S200-118	50	19' 4"	17' 7"	15' 4"	21' 9"	19' 9"	17' 3"	17' 7"	16' 0"	14' 0"	19' 9"	17' 11"	15' 8"
600S250-118	50	20' 4"	18' 6"	16' 2"	22' 10"	20' 9"	18' 2"	18' 6"	16' 10"	14' 8"	20' 9"	18' 10"	16' 6"
800S162-33	33	13' 0"	11' 3"	9' 2"	11' 3"	9' 2"	6' 8"	13' 0"	11' 3"	9' 2"	11' 3"	9' 2"	6' 8"
800S200-33	33	13' 11"	12' 1"	9' 6"	11' 8"	9' 6"	6' 10"	13' 11"	12' 1"	9' 6"	11' 8"	9' 6"	6' 10"
800S162-43	33	15' 8"	13' 6"	11' 1"	15' 5"	13' 1"	10' 4"	15' 6"	13' 6"	11' 1"	15' 5"	13' 1"	10' 4"
800S200-43	33	16' 9"	14' 6"	11' 10"	16' 9"	14' 6"	11' 3"	16' 4"	14' 6"	11' 10"	16' 9"	14' 6"	11' 3"
800S250-43	33	17' 2"	14' 10"	12' 2"	17' 2"	14' 7"	11' 4"	17' 0"	14' 10"	12' 2"	17' 2"	14' 7"	11' 4"
800S162-54	50	18' 5"	16' 8"	14' 7"	20' 7"	18' 1"	14' 9"	16' 9"	15' 3"	13' 3"	18' 9"	17' 0"	14' 9"
800S200-54	50	19' 4"	17' 6"	15' 4"	21' 8"	19' 4"	15' 9"	17' 6"	15' 11"	13' 11"	19' 8"	17' 11"	15' 7"
800S250-54	50	20' 2"	18' 3"	16' 0"	22' 7"	19' 9"	16' 2"	18' 3"	16' 7"	14' 6"	20' 6"	18' 8"	16' 2"
800S162-68	50	19' 9"	18' 0"	15' 8"	22' 3"	20' 2"	17' 4"	18' 0"	16' 4"	14' 3"	20' 2"	18' 4"	16' 0"
800S200-68	50	20' 9"	18' 10"	16' 5"	23' 3"	21' 2"	18' 6"	18' 10"	17' 1"	14' 11"	21' 2"	19' 2"	16' 9"
800S250-68	50	21' 8"	19' 8"	17' 2"	24' 3"	22' 1"	18' 11"	19' 8"	17' 10"	15' 7"	22' 1"	20' 1"	17' 6"
800S162-97	50	22' 0"	20' 0"	17' 5"	24' 8"	22' 5"	19' 7"	20' 0"	18' 2"	15' 10"	22' 5"	20' 4"	17' 10"
800S200-97	50	23' 1"	20' 11"	18' 4"	25' 11"	23' 6"	20' 6"	20' 11"	19' 0"	16' 7"	23' 6"	21' 4"	18' 8"
800S250-97	50	24' 1"	21' 11"	19' 1"	27' 1"	24' 7"	21' 6"	21' 11"	19' 11"	17' 4"	24' 7"	22' 4"	19' 6"
800S162-118	50	23' 3"	21' 1"	18' 5"	26' 1"	23' 9"	20' 9"	21' 1"	19' 2"	16' 9"	23' 9"	21' 7"	18' 10"
800S200-118	50	24' 5"	22' 2"	19' 5"	27' 5"	24' 11"	21' 9"	22' 2"	20' 2"	17' 7"	24' 11"	22' 8"	19' 9"
800S250-118	50	25' 6"	23' 2"	20' 3"	28' 8"	26' 1"	22' 9"	23' 2"	21' 1"	18' 5"	26' 1"	23' 8"	20' 8"
1000S162-43	33	17' 4"	15' 0"	12' 3"	16' 5"	13' 8"	10' 5"	17' 4"	15' 0"	12' 3"	16' 5"	13' 8"	10' 5"
1000S200-43	33	18' 8"	16' 2"	13' 2"	17' 3"	14' 3"	10' 9"	18' 8"	16' 2"	13' 2"	17' 3"	14' 3"	10' 9"
1000S250-43	33	19' 3"	16' 8"	13' 7"	17' 10"	14' 9"	11' 0"	19' 3"	16' 8"	13' 7"	17' 10"	14' 9"	11' 0"
1000S162-54	50	21' 11"	19' 10"	16' 5"	23' 2"	20' 1"	15' 10"	20' 0"	18' 1"	15' 9"	22' 4"	20' 1"	15' 10"
1000S200-54	50	22' 10"	20' 9"	17' 8"	24' 7"	20' 10"	16' 4"	20' 10"	18' 11"	16' 6"	23' 4"	20' 10"	16' 4"
1000S250-54	50	24' 0"	21' 10"	18' 1"	25' 7"	21' 9"	17' 0"	21' 10"	19' 10"	17' 4"	24' 6"	21' 9"	17' 0"
1000S162-68	50	23' 9"	21' 7"	18' 9"	26' 7"	23' 9"	19' 5"	21' 7"	19' 8"	17' 2"	24' 3"	22' 0"	19' 2"
1000S200-68	50	24' 10"	22' 6"	19' 8"	27' 9"	25' 2"	20' 9"	22' 7"	20' 6"	17' 11"	25' 4"	22' 11"	20' 0"
1000S250-68	50	25' 10"	23' 5"	20' 6"	29' 0"	26' 1"	21' 4"	23' 5"	21' 4"	18' 7"	26' 4"	23' 11"	20' 11"
1000S162-97	50	26' 6"	24' 1"	21' 0"	29' 9"	27' 0"	23' 7"	24' 1"	21' 10"	19' 1"	27' 0"	24' 6"	21' 5"
1000S200-97	50	27' 8"	25' 1"	21' 11"	31' 0"	28' 2"	24' 8"	25' 1"	22' 10"	19' 11"	28' 2"	25' 7"	22' 5"
1000S250-97	50	28' 9"	26' 2"	22' 10"	32' 4"	29' 4"	25' 8"	26' 2"	23' 9"	20' 9"	29' 4"	26' 8"	23' 4"
1000S162-118	50	28' 0"	25' 6"	22' 3"	31' 6"	28' 7"	25' 0"	25' 6"	23' 2"	20' 3"	28' 7"	26' 0"	22' 8"
1000S200-118	50	29' 4"	26' 8"	23' 3"	32' 11"	29' 11"	26' 1"	26' 8"	24' 2"	21' 2"	29' 11"	27' 2"	23' 9"
1000S250-118	50	30' 7"	27' 9"	24' 3"	34' 4"	31' 2"	27' 3"	27' 9"	25' 3"	22' 0"	31' 2"	28' 4"	24' 9"

"e" web stiffeners required at ends.

Web stiffeners required at interior supports for double span conditions.

See Table Notes on page 42.



10 psf Dead Load and 40 psf Live Load

Section	F _y (ksi)	L/360 Live Load Deflection						L/480 Live Load Deflection					
		Single Span			Double Span			Single Span			Double Span		
		Spacing (in) on center						Spacing (in) on center					
		12	16	24	12	16	24	12	16	24	12	16	24
1200S162-54	50	25' 0"	21' 7"	17' 8"	25' 0"	21' 0"	16' 2"	23' 0"	20' 10"	17' 8"	25' 0"	21' 0"	16' 2"
1200S200-54	50	26' 3"	23' 5"	19' 1"	25' 11"	21' 8"	16' 6"	24' 0"	21' 9"	18' 11"	25' 11"	21' 8"	16' 6"
1200S250-54	50	27' 4"	24' 2"	19' 9"	26' 3"	21' 11"	16' 9"	24' 11"	22' 7"	19' 8"	26' 3"	21' 11"	16' 9"
1200S162-68	50	27' 5"	24' 11"	21' 0"	29' 8"	25' 9"	21' 0"	25' 1"	22' 9"	19' 9"	28' 0"	25' 4"	21' 0"
1200S200-68	50	28' 7"	25' 11"	22' 7"	31' 11"	27' 8"	22' 7"	26' 1"	23' 8"	20' 7"	29' 2"	26' 5"	22' 7"
1200S250-68	50	29' 9"	26' 11"	23' 4"	33' 0"	28' 6"	22' 8"	27' 1"	24' 7"	21' 5"	30' 4"	27' 6"	22' 8"
1200S162-97	50	30' 11"	28' 1"	24' 6"	34' 8"	31' 6"	27' 3"	28' 1"	25' 6"	22' 3"	31' 6"	28' 8"	25' 0"
1200S200-97	50	32' 2"	29' 3"	25' 6"	36' 1"	32' 10"	28' 8"	29' 3"	26' 6"	23' 2"	32' 10"	29' 10"	26' 0"
1200S250-97	50	33' 4"	30' 4"	26' 6"	37' 6"	34' 1"	29' 9"	30' 4"	27' 7"	24' 1"	34' 1"	30' 11"	27' 0"
1200S162-118	50	32' 9"	29' 9"	26' 0"	36' 9"	33' 5"	29' 2"	29' 9"	27' 0"	23' 7"	33' 5"	30' 4"	26' 6"
1200S200-118	50	34' 1"	31' 0"	27' 1"	38' 4"	34' 10"	30' 5"	31' 0"	28' 2"	24' 7"	34' 10"	31' 7"	27' 7"
1200S250-118	50	35' 5"	32' 2"	28' 2"	39' 9"	36' 2"	31' 7"	32' 2"	29' 3"	25' 7"	36' 2"	32' 10"	28' 8"
1200S300-118	50	36' 8"	33' 4"	29' 1"	41' 2"	37' 5"	32' 8"	33' 4"	30' 3"	26' 5"	37' 5"	34' 0"	29' 8"
1200S350-118	50	38' 5"	34' 11"	30' 6"	43' 2"	39' 3"	34' 3"	34' 11"	31' 9"	27' 9"	39' 3"	35' 8"	31' 1"
1400S162-54	50	26' 4"	22' 10"	18' 8"	25' 8"	21' 2"	15' 9"	25' 10"	22' 10"	18' 8"	25' 8"	21' 2"	15' 9"
1400S200-54	50	28' 8"	24' 10"	20' 3"	26' 4"	21' 8"	16' 0"	26' 11"	24' 5"	20' 3"	26' 4"	21' 8"	16' 0"
1400S250-54	50	29' 10"	25' 10"	21' 1"	26' 8"	21' 10"	16' 2"	28' 0"	25' 4"	21' 1"	26' 8"	21' 10"	16' 2"
1400S300-54	50	30' 6"	26' 5"	21' 7"	26' 10"	22' 0"	16' 2"	28' 10"	26' 1"	21' 7"	26' 10"	22' 0"	16' 2"
1400S350-54	50	33' 8"	29' 8"	23' 6"	28' 10"	23' 4"	16' 11"	30' 10"	28' 0"	23' 6"	28' 10"	23' 4"	16' 11"
1400S162-68	50	30' 11"	27' 4"	22' 4"	31' 6"	27' 4"	22' 4"	28' 3"	25' 8"	22' 3"	31' 6"	27' 4"	22' 4"
1400S200-68	50	32' 3"	29' 2"	24' 1"	34' 1"	29' 6"	23' 5"	29' 5"	26' 8"	23' 2"	32' 10"	29' 6"	23' 5"
1400S250-68	50	33' 5"	30' 4"	25' 0"	33' 4"	30' 0"	23' 7"	30' 6"	27' 8"	24' 1"	34' 1"	30' 0"	23' 7"
1400S300-68	50	34' 6"	31' 2"	25' 7"	35' 10"	30' 5"	23' 10"	31' 6"	28' 7"	24' 10"	35' 2"	30' 5"	23' 10"
1400S350-68	50	36' 7"	33' 3"	28' 7"	39' 11"	33' 8"	26' 1"	33' 3"	30' 2"	26' 4"	37' 3"	33' 8"	26' 1"
1400S162-97	50	35' 3"	32' 0"	27' 10"	39' 5"	35' 9"	29' 2"	32' 0"	29' 1"	25' 5"	36' 0"	32' 7"	28' 5"
1400S200-97	50	36' 7"	33' 3"	29' 0"	41' 0"	37' 2"	31' 4"	33' 3"	30' 2"	26' 5"	37' 4"	33' 11"	29' 6"
1400S250-97	50	37' 11"	34' 5"	30' 0"	42' 5"	38' 6"	32' 5"	34' 5"	31' 3"	27' 4"	38' 8"	35' 1"	30' 7"
1400S300-97	50	39' 1"	35' 6"	31' 0"	43' 10"	39' 9"	33' 3"	35' 6"	32' 3"	28' 2"	39' 11"	36' 3"	31' 7"
1400S350-97	50	40' 11"	37' 2"	32' 5"	45' 11"	41' 8"	36' 5"	37' 2"	33' 9"	29' 6"	41' 8"	37' 11"	33' 1"
1400S162-118	50	37' 5"	34' 0"	29' 8"	42' 0"	38' 2"	33' 4"	34' 0"	30' 11"	27' 0"	38' 2"	34' 8"	30' 3"
1400S200-118	50	38' 10"	35' 4"	30' 10"	43' 8"	39' 8"	34' 8"	35' 4"	32' 1"	28' 0"	39' 8"	36' 0"	31' 6"
1400S250-118	50	40' 3"	36' 7"	31' 11"	45' 2"	41' 1"	35' 10"	36' 7"	33' 3"	29' 0"	41' 1"	37' 4"	32' 7"
1400S300-118	50	41' 7"	37' 9"	33' 0"	46' 8"	42' 5"	37' 0"	37' 9"	34' 4"	30' 0"	42' 5"	38' 6"	33' 8"
1400S350-118	50	43' 6"	39' 6"	34' 6"	48' 10"	44' 4"	38' 9"	39' 6"	35' 11"	31' 4"	44' 4"	40' 4"	35' 2"
1600S162-68	50	33' 0"	28' 7"	23' 4"	33' 0"	28' 7"	22' 10"	31' 5"	28' 5"	23' 4"	33' 0"	28' 7"	22' 10"
1600S200-68	50	35' 8"	31' 0"	25' 4"	35' 10"	30' 10"	23' 8"	32' 7"	29' 6"	25' 4"	35' 10"	30' 10"	23' 8"
1600S250-68	50	37' 0"	32' 4"	26' 5"	36' 10"	30' 11"	23' 9"	33' 9"	30' 7"	26' 5"	36' 10"	30' 11"	23' 9"
1600S300-68	50	38' 1"	33' 3"	27' 2"	37' 3"	31' 3"	24' 0"	34' 10"	31' 7"	27' 2"	37' 3"	31' 3"	24' 0"
1600S350-68	50	40' 0"	36' 3"	30' 5"	40' 5"	33' 8"	25' 7"	36' 6"	33' 1"	28' 10"	40' 5"	33' 8"	25' 7"
1600S162-97	50	39' 4"	35' 8"	30' 10"	43' 8"	37' 9"	30' 10"	35' 11"	32' 7"	28' 4"	40' 1"	36' 4"	30' 10"
1600S200-97	50	40' 10"	37' 0"	32' 2"	45' 7"	40' 7"	33' 2"	37' 3"	33' 9"	29' 5"	41' 7"	37' 8"	32' 10"
1600S250-97	50	42' 2"	38' 3"	33' 4"	47' 2"	42' 3"	34' 6"	38' 6"	34' 11"	30' 5"	43' 0"	39' 0"	34' 0"
1600S300-97	50	43' 6"	39' 5"	34' 4"	48' 7"	43' 5"	35' 5"	39' 7"	36' 0"	31' 4"	44' 4"	40' 3"	35' 0"
1600S350-97	50	45' 5"	41' 3"	35' 11"	50' 10"	46' 1"	39' 1"	41' 4"	37' 7"	32' 9"	46' 4"	42' 0"	36' 8"
1600S162-118	50	42' 1"	38' 2"	33' 4"	47' 2"	42' 10"	35' 11"	38' 2"	34' 8"	30' 4"	42' 11"	39' 0"	34' 0"
1600S200-118	50	43' 7"	39' 7"	34' 7"	48' 11"	44' 4"	38' 6"	39' 7"	35' 11"	31' 5"	44' 5"	40' 4"	35' 3"
1600S250-118	50	45' 0"	40' 11"	35' 9"	50' 6"	45' 11"	40' 0"	40' 11"	37' 2"	32' 5"	45' 11"	41' 9"	36' 5"
1600S300-118	50	46' 4"	42' 2"	36' 10"	52' 1"	47' 4"	41' 1"	42' 2"	38' 3"	33' 5"	47' 4"	43' 0"	37' 7"
1600S350-118	50	48' 5"	44' 0"	38' 5"	54' 4"	49' 5"	43' 1"	44' 0"	40' 0"	34' 11"	49' 5"	44' 11"	39' 2"

"e" web stiffeners required at ends.

Web stiffeners required at interior supports for double span conditions.

See Table Notes on page 42.



10 psf Dead Load and 50 psf Live Load

Section	Fy (ksi)	L/360 Live Load Deflection						L/480 Live Load Deflection					
		Single Span			Double Span			Single Span			Double Span		
		Spacing (in) on center			Spacing (in) on center			Spacing (in) on center			Spacing (in) on center		
		12	16	24	12	16	24	12	16	24	12	16	24
600S162-33	33	10' 3"	8' 11"	7' 3"	10' 1"	8' 5"	6' 5"	10' 3"	8' 11"	7' 3"	10' 1"	8' 5"	6' 5"
600S200-33	33	10' 11"	9' 6"	7' 9"	10' 5"	8' 8"	6' 7"	10' 11"	9' 6"	7' 9"	10' 5"	8' 8"	6' 7"
600S162-43	33	12' 8"	11' 0"	9' 0"	12' 8"	11' 0"	8' 10"	11' 6"	10' 5"	9' 0"	12' 8"	11' 0"	8' 10"
600S200-43	33	13' 1"	11' 4"	9' 3"	13' 1"	11' 4"	9' 0"	12' 1"	11' 0"	9' 3"	13' 1"	11' 4"	9' 0"
600S250-43	33	13' 5"	11' 7"	9' 6"	13' 5"	11' 7"	9' 2"	12' 8"	11' 6"	9' 6"	13' 5"	11' 7"	9' 2"
600S162-54	50	13' 7"	12' 4"	10' 9"	15' 3"	13' 10"	12' 0"	12' 4"	11' 2"	9' 9"	13' 10"	12' 7"	11' 0"
600S200-54	50	14' 3"	13' 0"	11' 4"	16' 0"	14' 7"	12' 2"	13' 0"	11' 9"	10' 3"	14' 7"	13' 3"	11' 7"
600S250-54	50	14' 11"	13' 7"	11' 10"	16' 9"	15' 3"	12' 6"	13' 7"	12' 4"	10' 9"	15' 3"	13' 10"	12' 1"
600S162-68	50	14' 7"	13' 3"	11' 7"	16' 4"	14' 10"	13' 0"	13' 3"	12' 0"	10' 6"	14' 10"	13' 6"	11' 9"
600S200-68	50	15' 4"	13' 11"	12' 2"	17' 2"	15' 7"	13' 8"	13' 11"	12' 8"	11' 0"	15' 7"	14' 2"	12' 5"
600S250-68	50	16' 1"	14' 7"	12' 9"	18' 0"	16' 4"	14' 4"	14' 7"	13' 3"	11' 7"	16' 4"	14' 10"	13' 0"
600S162-97	50	16' 2"	14' 8"	12' 10"	18' 1"	16' 5"	14' 4"	14' 8"	13' 4"	11' 8"	16' 5"	14' 11"	13' 1"
600S200-97	50	17' 0"	15' 5"	13' 6"	19' 1"	17' 4"	15' 2"	15' 5"	14' 0"	12' 3"	17' 4"	15' 9"	13' 9"
600S250-97	50	17' 10"	16' 3"	14' 2"	20' 0"	18' 2"	15' 11"	16' 3"	14' 9"	12' 10"	18' 2"	16' 6"	14' 5"
600S162-118	50	17' 0"	15' 6"	13' 6"	19' 1"	17' 4"	15' 2"	15' 6"	14' 1"	12' 3"	17' 4"	15' 9"	13' 9"
600S200-118	50	18' 0"	16' 4"	14' 3"	20' 2"	18' 4"	16' 0"	16' 4"	14' 10"	13' 0"	18' 4"	16' 8"	14' 7"
600S250-118	50	18' 11"	17' 2"	15' 0"	21' 3"	19' 3"	16' 10"	17' 2"	15' 7"	13' 7"	19' 3"	17' 6"	15' 4"
800S162-33	33	11' 10"	10' 3"	7' 11"	9' 10"	8' 0"	5' 9"	11' 10"	10' 3"	7' 11"	9' 10"	8' 0"	5' 9"
800S200-33	33	12' 8"	11' 0"	7' 11"	10' 3"	8' 2"	5' 10"	12' 8"	11' 0"	7' 11"	10' 3"	8' 2"	5' 10"
800S162-43	33	14' 3"	12' 4"	10' 1"	13' 11"	11' 9"	9' 2"	14' 3"	12' 4"	10' 1"	13' 11"	11' 9"	9' 2"
800S200-43	33	15' 3"	13' 3"	10' 10"	15' 3"	12' 11"	10' 0"	15' 2"	13' 3"	10' 10"	15' 3"	12' 11"	10' 0"
800S250-43	33	15' 8"	13' 7"	11' 1"	15' 6"	13' 0"	10' 0"	15' 8"	13' 7"	11' 1"	15' 6"	13' 0"	10' 0"
800S162-54	50	17' 1"	15' 6"	13' 6"	19' 1"	16' 6"	13' 5"	15' 7"	14' 1"	12' 4"	17' 5"	15' 10"	13' 5"
800S200-54	50	17' 11"	16' 3"	14' 3"	20' 1"	17' 8"	14' 5"	16' 3"	14' 9"	12' 11"	18' 3"	16' 7"	14' 5"
800S250-54	50	18' 8"	17' 0"	14' 9"	20' 10"	18' 1"	14' 8"	17' 0"	15' 5"	13' 6"	19' 1"	17' 4"	14' 8"
800S162-68	50	18' 4"	16' 8"	14' 7"	20' 7"	18' 9"	15' 10"	16' 8"	15' 2"	13' 3"	18' 9"	17' 0"	14' 10"
800S200-68	50	19' 3"	17' 6"	15' 3"	21' 7"	19' 7"	17' 2"	17' 6"	15' 11"	13' 10"	19' 7"	17' 10"	15' 7"
800S250-68	50	20' 1"	18' 3"	15' 11"	22' 7"	20' 6"	17' 3"	18' 3"	16' 7"	14' 6"	20' 6"	18' 7"	16' 3"
800S162-97	50	20' 5"	18' 6"	16' 2"	22' 11"	20' 10"	18' 2"	18' 6"	16' 10"	14' 9"	20' 10"	18' 11"	16' 6"
800S200-97	50	21' 5"	19' 5"	17' 0"	24' 0"	21' 10"	19' 1"	19' 5"	17' 8"	15' 5"	21' 10"	19' 10"	17' 4"
800S250-97	50	22' 4"	20' 4"	17' 9"	25' 1"	22' 10"	19' 11"	20' 4"	18' 5"	16' 1"	22' 10"	20' 9"	18' 1"
800S162-118	50	21' 7"	19' 7"	17' 2"	24' 3"	22' 0"	19' 3"	19' 7"	17' 10"	15' 7"	22' 0"	20' 0"	17' 6"
800S200-118	50	22' 8"	20' 7"	18' 0"	25' 5"	23' 1"	20' 2"	20' 7"	18' 8"	16' 4"	23' 1"	21' 0"	18' 4"
800S250-118	50	23' 8"	21' 6"	18' 10"	26' 7"	24' 2"	21' 2"	21' 6"	19' 7"	17' 1"	24' 2"	22' 0"	19' 2"
1000S162-43	33	15' 10"	13' 8"	11' 2"	14' 8"	12' 2"	9' 1"	15' 10"	13' 8"	11' 2"	14' 8"	12' 2"	9' 1"
1000S200-43	33	17' 1"	14' 9"	12' 1"	15' 4"	12' 7"	9' 4"	17' 1"	14' 9"	12' 1"	15' 4"	12' 7"	9' 4"
1000S250-43	33	17' 6"	15' 2"	12' 5"	15' 10"	13' 0"	9' 7"	17' 6"	15' 2"	12' 5"	15' 10"	13' 0"	9' 7"
1000S162-54	50	20' 4"	18' 4"	15' 0"	21' 2"	18' 2"	14' 2"	18' 6"	16' 10"	14' 7"	20' 8"	18' 2"	14' 2"
1000S200-54	50	21' 3"	19' 3"	16' 1"	22' 2"	18' 9"	14' 7"	19' 4"	17' 7"	15' 3"	21' 8"	18' 9"	14' 7"
1000S250-54	50	22' 4"	20' 3"	16' 6"	23' 1"	19' 6"	15' 1"	20' 3"	18' 5"	16' 1"	22' 9"	19' 6"	15' 1"
1000S162-68	50	22' 1"	20' 0"	17' 5"	24' 8"	21' 8"	17' 8"	20' 1"	18' 3"	15' 11"	22' 6"	20' 5"	17' 8"
1000S200-68	50	23' 0"	20' 11"	18' 3"	25' 9"	23' 2"	18' 11"	20' 11"	19' 0"	16' 7"	23' 6"	21' 4"	18' 7"
1000S250-68	50	24' 0"	21' 9"	19' 0"	26' 11"	23' 10"	19' 5"	21' 9"	19' 9"	17' 3"	24' 5"	22' 3"	19' 5"
1000S162-97	50	24' 7"	22' 4"	19' 6"	27' 7"	25' 1"	21' 11"	22' 4"	20' 3"	17' 9"	25' 1"	22' 9"	19' 11"
1000S200-97	50	25' 8"	23' 4"	20' 4"	28' 10"	26' 2"	22' 10"	23' 4"	21' 2"	18' 6"	26' 2"	23' 9"	20' 9"
1000S250-97	50	26' 9"	24' 3"	21' 2"	30' 0"	27' 3"	23' 10"	24' 3"	22' 1"	19' 3"	27' 3"	24' 9"	21' 8"
1000S162-118	50	26' 0"	23' 8"	20' 8"	29' 3"	26' 7"	23' 2"	23' 8"	21' 6"	18' 9"	26' 7"	24' 1"	21' 1"
1000S200-118	50	27' 3"	24' 9"	21' 7"	30' 7"	27' 9"	24' 3"	24' 9"	22' 6"	19' 7"	27' 9"	25' 3"	22' 0"
1000S250-118	50	28' 4"	25' 9"	22' 6"	31' 10"	28' 11"	25' 3"	25' 9"	23' 5"	20' 5"	28' 11"	26' 3"	22' 11"

"e" web stiffeners required at ends.

Web stiffeners required at interior supports for double span conditions.

See Table Notes on page 42.

10 psf Dead Load and 50 psf Live Load

Section	F _y (ksi)	L/360 Live Load Deflection						L/480 Live Load Deflection					
		Single Span			Double Span			Single Span			Double Span		
		Spacing (in) on center			Spacing (in) on center			Spacing (in) on center			Spacing (in) on center		
		12	16	24	12	16	24	12	16	24	12	16	24
1200S162-54	50	22' 10"e	19' 9"e	16' 1"e	22' 5"e	18' 9"e	14' 2"e	21' 4"e	19' 4"e	16' 1"e	22' 5"e	18' 9"e	14' 2"e
1200S200-54	50	24' 4"e	21' 4"e	17' 5"e	23' 2"e	19' 3"e	14' 6"e	22' 3"e	20' 2"e	17' 5"e	23' 2"e	19' 3"e	14' 6"e
1200S250-54	50	25' 4"e	22' 1"e	18' 0"e	23' 5"e	19' 6"e	14' 8"e	23' 1"e	21' 0"e	18' 0"e	23' 5"e	19' 6"e	14' 8"e
1200S162-68	50	25' 6"	23' 1"	19' 2"	27' 1"	23' 6"	19' 2"	23' 3"	21' 1"	18' 4"	25' 11"	23' 6"	19' 2"
1200S200-68	50	26' 6"	24' 1"	20' 7"e	29' 2"	25' 3"	20' 4"	24' 2"	21' 11"	19' 1"	27' 1"	24' 6"	20' 4"
1200S250-68	50	27' 7"	25' 0"	21' 3"e	30' 1"	25' 9"	20' 5"	25' 2"	22' 10"	19' 10"	28' 1"	25' 6"	20' 5"
1200S162-97	50	28' 8"	26' 1"	22' 9"	32' 2"	29' 3"	24' 10"	26' 1"	23' 8"	20' 8"	29' 3"	26' 7"	23' 3"
1200S200-97	50	29' 10"	27' 1"	23' 8"	33' 6"	30' 5"	26' 7"	27' 1"	24' 8"	21' 6"	30' 5"	27' 8"	24' 2"
1200S250-97	50	31' 0"	28' 2"	24' 7"	34' 9"	31' 7"	27' 5"	28' 2"	25' 7"	22' 4"	31' 7"	28' 9"	25' 1"
1200S162-118	50	30' 5"	27' 7"	24' 2"	34' 2"	31' 0"	27' 1"	27' 7"	25' 1"	21' 11"	31' 0"	28' 2"	24' 7"
1200S200-118	50	31' 8"	28' 9"	25' 2"	35' 7"	32' 4"	28' 3"	28' 9"	26' 2"	22' 10"	32' 4"	29' 4"	25' 8"
1200S250-118	50	32' 11"	29' 11"	26' 1"	36' 11"	33' 7"	29' 4"	29' 11"	27' 2"	23' 9"	33' 7"	30' 6"	26' 8"
1200S300-118	50	34' 0"	30' 11"	27' 0"	38' 3"	34' 9"	30' 4"	30' 11"	28' 1"	24' 7"	34' 9"	31' 7"	27' 7"
1200S350-118	50	35' 8"	32' 5"	28' 4"	40' 1"	36' 5"	31' 10"	32' 5"	29' 5"	25' 9"	36' 5"	33' 1"	28' 11"
1400S162-54	50	24' 1"e	20' 10"e	17' 0"e	22' 9"e	18' 7"e	13' 8"e	24' 0"e	20' 10"e	17' 0"e	22' 9"e	18' 7"e	13' 8"e
1400S200-54	50	26' 2"e	22' 8"e	18' 6"e	23' 4"e	19' 0"e	13' 10"e	25' 0"e	22' 8"e	18' 6"e	23' 4"e	19' 0"e	13' 10"e
1400S250-54	50	27' 2"e	23' 7"e	19' 3"e	23' 7"e	19' 2"e	13' 11"e	25' 11"e	23' 6"e	19' 3"e	23' 7"e	19' 2"e	13' 11"e
1400S300-54	50	27' 10"e	24' 1"e	19' 7"e	23' 9"e	19' 3"e	14' 0"e	26' 9"e	24' 1"e	19' 7"e	23' 9"e	19' 3"e	14' 0"e
1400S350-54	50	31' 2"e	27' 1"e	19' 7"e	25' 3"e	20' 3"e	14' 6"e	28' 7"e	25' 11"e	19' 7"e	25' 3"e	20' 3"e	14' 6"e
1400S162-68	50	28' 8"	24' 11"	20' 4"e	28' 9"	24' 11"	20' 1"	26' 3"	23' 9"	20' 4"e	28' 9"	24' 11"	20' 1"
1400S200-68	50	29' 11"	26' 11"	22' 0"e	31' 1"	26' 10"	20' 11"	27' 3"	24' 9"	21' 6"e	30' 5"	26' 10"	20' 11"
1400S250-68	50	31' 0"	27' 11"	22' 10"e	31' 11"	27' 0"	21' 0"	28' 4"	25' 8"	21' 0"	31' 7"	27' 0"	21' 0"
1400S300-68	50	32' 0"	28' 7"	23' 4"e	32' 4"	27' 3"	21' 3"	29' 3"	26' 6"	23' 0"e	32' 4"	27' 3"	21' 3"
1400S350-68	50	33' 11"	30' 10"e	26' 1"e	35' 11"	30' 1"	23' 1"	30' 10"	28' 0"	24' 6"e	34' 7"	30' 1"	23' 1"
1400S162-97	50	32' 9"	29' 8"	25' 10"	36' 7"	32' 8"	26' 8"	29' 9"	27' 0"	23' 7"	33' 4"	30' 3"	26' 4"
1400S200-97	50	34' 0"	30' 10"	26' 10"	38' 0"	34' 8"	28' 7"	30' 10"	28' 1"	24' 6"	34' 8"	31' 5"	27' 5"
1400S250-97	50	35' 2"	31' 11"	27' 10"	39' 5"	35' 9"	29' 7"	31' 11"	29' 0"	25' 4"	35' 11"	32' 7"	28' 5"
1400S300-97	50	36' 3"	33' 0"	28' 9"	40' 8"	36' 11"	30' 4"	33' 0"	29' 11"	26' 2"	37' 0"	33' 8"	29' 4"
1400S350-97	50	37' 11"	34' 6"	30' 1"	42' 7"	38' 8"	33' 5"	34' 6"	31' 4"	27' 4"	38' 8"	35' 2"	30' 9"
1400S162-118	50	34' 9"	31' 7"	27' 7"	39' 0"	35' 5"	30' 11"	31' 7"	28' 8"	25' 1"	35' 5"	32' 2"	28' 1"
1400S200-118	50	36' 1"	32' 9"	28' 8"	40' 6"	36' 10"	32' 2"	32' 9"	29' 9"	26' 0"	36' 10"	33' 5"	29' 2"
1400S250-118	50	37' 4"	33' 11"	29' 8"	41' 11"	38' 1"	33' 4"	33' 11"	30' 10"	26' 11"	38' 1"	34' 8"	30' 3"
1400S300-118	50	38' 7"	35' 1"	30' 7"	43' 4"	39' 4"	34' 4"	35' 1"	31' 10"	27' 10"	39' 4"	35' 9"	31' 3"
1400S350-118	50	40' 4"	36' 8"	32' 0"	45' 4"	41' 2"	36' 0"	36' 8"	33' 4"	29' 1"	41' 2"	37' 5"	32' 8"
1600S162-68	50	30' 2"e	26' 1"e	21' 4"e	30' 2"e	26' 1"e	20' 3"e	29' 1"e	26' 1"e	21' 4"e	30' 2"e	26' 1"e	20' 3"e
1600S200-68	50	32' 8"e	28' 4"e	23' 2"e	32' 8"e	27' 5"e	20' 11"e	30' 3"e	27' 5"e	23' 2"e	32' 8"e	27' 5"e	20' 11"e
1600S250-68	50	34' 1"e	29' 6"e	24' 1"e	33' 0"e	27' 7"e	21' 0"e	31' 4"e	28' 5"e	24' 1"e	33' 0"e	27' 7"e	21' 0"e
1600S300-68	50	35' 1"e	30' 4"e	24' 9"e	33' 4"e	27' 10"e	21' 2"e	32' 4"e	29' 4"e	24' 9"e	33' 4"e	27' 10"e	21' 2"e
1600S350-68	50	37' 1"e	33' 8"e	27' 9"e	36' 1"e	29' 10"e	22' 5"e	33' 10"e	30' 8"e	26' 9"e	36' 1"e	29' 10"e	22' 5"e
1600S162-97	50	36' 6"	33' 1"	28' 2"	39' 10"	34' 6"	28' 2"	33' 4"	30' 3"	26' 4"	37' 2"	33' 8"	28' 2"
1600S200-97	50	37' 10"	34' 4"	29' 10"	42' 3"	37' 1"	30' 3"	34' 6"	31' 4"	27' 3"	38' 7"	35' 0"	30' 3"
1600S250-97	50	39' 2"	35' 6"	30' 11"	43' 9"	38' 7"	31' 6"	35' 8"	32' 5"	28' 2"	39' 11"	36' 2"	31' 6"
1600S300-97	50	40' 4"	36' 7"	31' 11"	45' 1"	39' 7"	32' 4"	36' 9"	33' 4"	29' 1"	41' 2"	37' 4"	32' 4"
1600S350-97	50	42' 2"	38' 3"	33' 4"	47' 2"	42' 9"	35' 5"	38' 5"	34' 10"	30' 5"	43' 0"	39' 0"	34' 0"
1600S162-118	50	39' 0"	35' 6"	30' 11"	43' 9"	39' 8"	32' 10"	35' 6"	32' 3"	28' 2"	39' 10"	36' 2"	31' 7"
1600S200-118	50	40' 5"	36' 9"	32' 1"	45' 5"	41' 2"	35' 1"	36' 9"	33' 4"	29' 2"	41' 3"	37' 6"	32' 9"
1600S250-118	50	41' 9"	37' 11"	33' 2"	46' 11"	42' 7"	36' 6"	37' 11"	34' 6"	30' 2"	42' 7"	38' 9"	33' 10"
1600S300-118	50	43' 1"	39' 1"	34' 2"	48' 4"	43' 11"	37' 6"	39' 1"	35' 6"	31' 0"	43' 11"	39' 11"	34' 10"
1600S350-118	50	44' 11"	40' 10"	35' 8"	50' 6"	45' 10"	40' 0"	40' 10"	37' 1"	32' 5"	45' 10"	41' 8"	36' 5"

"e" web stiffeners required at ends.

Web stiffeners required at interior supports for double span conditions.

See Table Notes on page 42.

15 psf Dead Load and 125 psf Live Load

Section	Fy (ksi)	L/360 Live Load Deflection						L/480 Live Load Deflection					
		Single Span			Double Span			Single Span			Double Span		
		Spacing (in) on center			Spacing (in) on center			Spacing (in) on center			Spacing (in) on center		
		12	16	24	12	16	24	12	16	24	12	16	24
600S162-33	33	6' 9"	5' 10"	4' 7"	5' 9"	4' 8"	3' 4"	6' 9"	5' 10"	4' 7"	5' 9"	4' 8"	3' 4"
600S200-33	33	7' 2"	6' 2"	4' 7"	5' 11"	4' 9"	3' 4"	7' 2"	6' 2"	4' 7"	5' 11"	4' 9"	3' 4"
600S162-43	33	8' 4"	7' 2"	5' 10"	8' 1"	6' 9"	5' 2"	8' 4"	7' 2"	5' 10"	8' 1"	6' 9"	5' 2"
600S200-43	33	8' 7"	7' 5"	6' 1"	8' 2"	6' 10"	5' 3"	8' 7"	7' 5"	6' 1"	8' 2"	6' 10"	5' 3"
600S250-43	33	8' 9"	7' 7"	6' 3"	8' 4"	7' 0"	5' 4"	8' 9"	7' 7"	6' 3"	8' 4"	7' 0"	5' 4"
600S162-54	50	10' 0"	9' 1"	7' 10"	11' 1"	9' 5"	7' 4"	9' 1"	8' 3"	7' 3"	10' 2"	9' 3"	7' 4"
600S200-54	50	10' 6"	9' 7"	8' 1"	11' 2"	9' 5"	7' 4"	9' 7"	8' 8"	7' 7"	10' 9"	9' 5"	7' 4"
600S250-54	50	11' 0"	10' 0"	8' 3"	11' 5"	9' 8"	7' 6"	10' 0"	9' 1"	7' 11"	11' 3"	9' 8"	7' 6"
600S162-68	50	10' 9"	9' 9"	8' 6"	12' 0"	10' 11"	8' 11"	9' 9"	8' 10"	7' 9"	10' 11"	9' 11"	8' 8"
600S200-68	50	11' 3"	10' 3"	8' 11"	12' 8"	11' 6"	9' 4"	10' 3"	9' 4"	8' 2"	11' 6"	10' 5"	9' 2"
600S250-68	50	11' 10"	10' 9"	9' 5"	13' 3"	11' 5"	9' 1"	10' 9"	9' 9"	8' 6"	12' 1"	10' 11"	9' 1"
600S162-97	50	11' 11"	10' 10"	9' 5"	13' 4"	12' 1"	10' 7"	10' 10"	9' 10"	8' 7"	12' 1"	11' 0"	9' 7"
600S200-97	50	12' 6"	11' 4"	9' 11"	14' 1"	12' 9"	11' 2"	11' 4"	10' 4"	9' 0"	12' 9"	11' 7"	10' 2"
600S250-97	50	13' 2"	11' 11"	10' 5"	14' 9"	13' 5"	11' 9"	11' 11"	10' 10"	9' 6"	13' 5"	12' 2"	10' 8"
600S162-118	50	12' 7"	11' 5"	10' 0"	14' 1"	12' 10"	11' 2"	11' 5"	10' 4"	9' 1"	12' 10"	11' 8"	10' 2"
600S200-118	50	13' 3"	12' 0"	10' 6"	14' 10"	13' 6"	11' 10"	12' 0"	10' 11"	9' 7"	13' 6"	12' 3"	10' 9"
600S250-118	50	13' 11"	12' 8"	11' 1"	15' 8"	14' 2"	12' 5"	12' 8"	11' 6"	10' 0"	14' 2"	12' 11"	11' 3"
800S162-33	33	6' 9"	5' 1"	3' 5"	5' 0"	3' 11"	2' 8"	6' 9"	5' 1"	3' 5"	5' 0"	3' 11"	2' 8"
800S200-33	33	6' 9"	5' 1"	3' 5"	5' 1"	3' 11"	2' 8"	6' 9"	5' 1"	3' 5"	5' 1"	3' 11"	2' 8"
800S162-43	33	9' 4"	8' 1"	6' 7"	8' 4"	6' 10"	5' 1"	9' 4"	8' 1"	6' 7"	8' 4"	6' 10"	5' 1"
800S200-43	33	10' 0"	8' 8"	7' 1"	9' 0"	7' 4"	5' 4"	10' 0"	8' 8"	7' 1"	9' 0"	7' 4"	5' 4"
800S250-43	33	10' 3"	8' 11"	7' 3"	9' 0"	7' 4"	5' 4"	10' 3"	8' 11"	7' 3"	9' 0"	7' 4"	5' 4"
800S162-54	50	12' 6"	10' 10"	8' 10"	12' 3"	10' 4"	8' 1"	11' 5"	10' 4"	8' 10"	12' 3"	10' 4"	8' 1"
800S200-54	50	13' 2"	11' 7"	9' 5"	13' 4"	11' 2"	8' 7"	12' 0"	10' 11"	9' 5"	13' 4"	11' 2"	8' 7"
800S250-54	50	13' 8"	11' 10"	9' 8"	13' 5"	11' 3"	8' 8"	12' 6"	11' 4"	9' 8"	13' 5"	11' 3"	8' 8"
800S162-68	50	13' 6"	12' 4"	10' 4"	14' 8"	12' 8"	10' 1"	12' 4"	11' 2"	9' 9"	13' 10"	12' 7"	10' 1"
800S200-68	50	14' 2"	12' 11"	11' 3"	15' 11"	14' 0"	11' 3"	12' 11"	11' 8"	10' 3"	14' 5"	13' 2"	11' 3"
800S250-68	50	14' 10"	13' 5"	11' 4"	16' 0"	13' 10"	11' 0"	13' 5"	12' 3"	10' 8"	15' 1"	13' 9"	11' 0"
800S162-97	50	15' 0"	13' 8"	11' 11"	16' 11"	15' 4"	12' 8"	13' 8"	12' 5"	10' 10"	15' 4"	13' 11"	12' 2"
800S200-97	50	15' 9"	14' 4"	12' 6"	17' 8"	16' 1"	14' 1"	16' 1"	13' 0"	11' 4"	16' 1"	14' 7"	12' 9"
800S250-97	50	16' 6"	15' 0"	13' 1"	18' 6"	16' 10"	14' 8"	15' 0"	13' 7"	11' 11"	16' 10"	15' 3"	13' 4"
800S162-118	50	15' 11"	14' 5"	12' 7"	17' 10"	16' 3"	14' 2"	14' 5"	13' 2"	11' 6"	16' 3"	14' 9"	12' 11"
800S200-118	50	16' 8"	15' 2"	13' 3"	18' 9"	17' 0"	14' 11"	15' 2"	13' 9"	12' 0"	17' 0"	15' 6"	13' 6"
800S250-118	50	17' 6"	15' 10"	13' 10"	19' 7"	17' 10"	15' 7"	15' 10"	14' 5"	12' 7"	17' 10"	16' 2"	14' 2"
1000S162-43	33	10' 4"	8' 11"	6' 0"	8' 1"	6' 5"	4' 6"	10' 4"	8' 11"	6' 0"	8' 1"	6' 5"	4' 6"
1000S200-43	33	11' 2"	8' 11"	6' 0"	8' 3"	6' 6"	4' 7"	11' 2"	8' 11"	6' 0"	8' 3"	6' 6"	4' 7"
1000S250-43	33	11' 6"	8' 11"	6' 0"	8' 5"	6' 7"	4' 7"	11' 6"	8' 11"	6' 0"	8' 5"	6' 7"	4' 7"
1000S162-54	50	13' 10"	12' 0"	9' 10"	12' 10"	10' 7"	7' 11"	13' 7"	12' 0"	9' 10"	12' 10"	10' 7"	7' 11"
1000S200-54	50	14' 11"	12' 11"	10' 6"	13' 3"	10' 10"	8' 0"	14' 2"	12' 10"	10' 6"	13' 3"	10' 10"	8' 0"
1000S250-54	50	15' 4"	13' 3"	10' 10"	13' 8"	11' 2"	8' 2"	14' 11"	13' 3"	10' 10"	13' 8"	11' 2"	8' 2"
1000S162-68	50	16' 2"	14' 2"	11' 7"	16' 5"	14' 2"	11' 2"	14' 9"	13' 5"	11' 7"	16' 5"	14' 2"	11' 2"
1000S200-68	50	16' 11"	15' 2"	12' 5"	17' 6"	14' 10"	11' 8"	15' 5"	14' 0"	12' 2"	17' 3"	14' 10"	11' 8"
1000S250-68	50	17' 8"	15' 7"	12' 9"	18' 0"	15' 7"	12' 4"	16' 1"	14' 7"	12' 9"	18' 0"	15' 7"	12' 4"
1000S162-97	50	18' 1"	16' 5"	14' 4"	20' 4"	18' 2"	14' 9"	16' 5"	14' 11"	13' 1"	18' 6"	16' 9"	14' 8"
1000S200-97	50	18' 11"	17' 2"	15' 0"	21' 3"	19' 3"	15' 8"	17' 2"	15' 7"	13' 8"	19' 3"	17' 6"	15' 4"
1000S250-97	50	19' 8"	17' 11"	15' 8"	22' 1"	20' 1"	16' 11"	17' 11"	16' 3"	14' 2"	20' 1"	18' 3"	15' 11"
1000S162-118	50	19' 2"	17' 5"	15' 3"	21' 6"	19' 7"	16' 7"	17' 5"	15' 10"	13' 10"	19' 7"	17' 9"	15' 6"
1000S200-118	50	20' 1"	18' 3"	15' 11"	22' 6"	20' 5"	17' 8"	18' 3"	16' 7"	14' 5"	20' 5"	18' 7"	16' 3"
1000S250-118	50	20' 11"	19' 0"	16' 7"	23' 5"	21' 4"	18' 7"	19' 0"	17' 3"	15' 1"	21' 4"	19' 4"	16' 11"

"e" web stiffeners required at ends.

Web stiffeners required at interior supports for double span conditions.

See Table Notes on page 42.

15 psf Dead Load and 125 psf Live Load

Section	F _y (ksi)	L/360 Live Load Deflection						L/480 Live Load Deflection					
		Single Span			Double Span			Single Span			Double Span		
		Spacing (in) on center			Spacing (in) on center			Spacing (in) on center			Spacing (in) on center		
		12	16	24	12	16	24	12	16	24	12	16	24
1200S162-54	50	14' 11"	12' 11"	9' 10"	12' 8"	10' 2"	7' 3"	14' 11"	12' 11"	9' 10"	12' 8"	10' 2"	7' 3"
1200S200-54	50	16' 2"	14' 0"	9' 10"	12' 11"	10' 4"	7' 4"	16' 2"	14' 0"	9' 10"	12' 11"	10' 4"	7' 4"
1200S250-54	50	16' 8"	14' 5"	9' 10"	13' 1"	10' 5"	7' 4"	16' 8"	14' 5"	9' 10"	13' 1"	10' 5"	7' 4"
1200S162-68	50	17' 9"	15' 4"	12' 7"	17' 8"	14' 10"	11' 5"	17' 0"	15' 4"	12' 7"	17' 8"	14' 10"	11' 5"
1200S200-68	50	19' 1"	16' 6"	13' 6"	18' 6"	15' 6"	11' 10"	17' 9"	16' 1"	13' 6"	18' 6"	15' 6"	11' 10"
1200S250-68	50	19' 9"	17' 1"	13' 11"	15' 7"	15' 7"	11' 11"	18' 5"	16' 9"	13' 11"	18' 7"	15' 7"	11' 11"
1200S162-97	50	21' 2"	19' 2"	16' 3"	23' 0"	19' 11"	16' 3"	19' 2"	17' 5"	15' 3"	21' 7"	19' 7"	16' 3"
1200S200-97	50	22' 0"	20' 0"	17' 5"	24' 7"	21' 3"	17' 5"	20' 0"	18' 2"	15' 10"	22' 5"	20' 5"	17' 5"
1200S250-97	50	22' 10"	20' 9"	17' 11"	25' 5"	22' 0"	17' 11"	20' 9"	18' 10"	16' 6"	23' 3"	21' 2"	17' 11"
1200S162-118	50	22' 5"	20' 4"	17' 9"	25' 2"	22' 10"	18' 9"	20' 4"	18' 6"	16' 2"	22' 10"	20' 9"	18' 2"
1200S200-118	50	23' 4"	21' 2"	18' 6"	26' 2"	23' 10"	19' 11"	21' 2"	19' 3"	16' 10"	23' 10"	21' 8"	18' 11"
1200S250-118	50	24' 3"	22' 0"	19' 3"	27' 3"	24' 9"	20' 7"	22' 0"	20' 0"	17' 6"	24' 9"	22' 6"	19' 7"
1200S300-118	50	25' 1"	22' 9"	19' 11"	28' 2"	25' 7"	21' 11"	22' 9"	20' 8"	18' 1"	25' 7"	23' 3"	20' 4"
1200S350-118	50	26' 4"	23' 11"	20' 10"	29' 6"	26' 10"	23' 5"	23' 11"	21' 8"	19' 0"	26' 10"	24' 4"	21' 3"
1400S162-54	50	15' 9"	12' 7"	8' 5"	12' 0"	9' 5"	6' 6"	15' 9"	12' 7"	8' 5"	12' 0"	9' 5"	6' 6"
1400S200-54	50	16' 10"	12' 7"	8' 5"	12' 2"	9' 6"	6' 6"	16' 10"	12' 7"	8' 5"	12' 2"	9' 6"	6' 6"
1400S250-54	50	16' 10"	12' 7"	8' 5"	12' 3"	9' 6"	6' 6"	16' 10"	12' 7"	8' 5"	12' 3"	9' 6"	6' 6"
1400S300-54	50	16' 10"	12' 7"	8' 5"	12' 3"	9' 6"	6' 6"	16' 10"	12' 7"	8' 5"	12' 3"	9' 6"	6' 6"
1400S350-54	50	16' 10"	12' 7"	8' 5"	12' 7"	9' 8"	6' 7"	16' 10"	12' 7"	8' 5"	12' 7"	9' 8"	6' 7"
1400S162-68	50	18' 10"	16' 4"	13' 4"	18' 2"	15' 0"	11' 2"	18' 10"	16' 4"	13' 4"	18' 2"	15' 0"	11' 2"
1400S200-68	50	20' 4"	17' 8"	14' 5"	18' 11"	15' 6"	11' 6"	20' 0"	17' 8"	14' 5"	18' 11"	15' 6"	11' 6"
1400S250-68	50	21' 2"	18' 4"	14' 11"	18' 4"	15' 7"	11' 6"	20' 9"	18' 4"	14' 11"	19' 0"	15' 7"	11' 6"
1400S300-68	50	21' 8"	18' 9"	15' 4"	19' 2"	15' 9"	11' 7"	21' 4"	18' 9"	15' 4"	19' 2"	15' 9"	11' 7"
1400S350-68	50	24' 2"	20' 11"	16' 11"	20' 9"	16' 10"	12' 2"	22' 9"	20' 8"	16' 11"	20' 9"	16' 10"	12' 2"
1400S162-97	50	24' 0"	21' 5"	17' 5"	24' 8"	21' 5"	17' 5"	21' 11"	19' 10"	17' 3"	24' 5"	21' 5"	17' 5"
1400S200-97	50	24' 11"	22' 7"	18' 8"	26' 5"	22' 11"	18' 8"	22' 9"	20' 8"	18' 0"	25' 5"	22' 11"	18' 8"
1400S250-97	50	25' 10"	23' 5"	19' 5"	27' 5"	23' 9"	19' 4"	23' 7"	21' 4"	18' 8"	26' 4"	23' 9"	19' 4"
1400S300-97	50	26' 8"	24' 3"	19' 10"	28' 1"	24' 4"	19' 10"	24' 4"	22' 1"	19' 3"	27' 3"	24' 4"	19' 10"
1400S350-97	50	28' 0"	25' 5"	21' 11"	30' 11"	26' 10"	21' 11"	25' 5"	23' 1"	20' 2"	28' 6"	25' 11"	21' 11"
1400S162-118	50	25' 7"	23' 3"	20' 3"	28' 7"	24' 9"	20' 3"	23' 3"	21' 1"	18' 5"	26' 1"	23' 9"	20' 3"
1400S200-118	50	26' 7"	24' 2"	21' 1"	29' 10"	26' 5"	21' 7"	24' 2"	21' 11"	19' 2"	27' 1"	24' 8"	21' 6"
1400S250-118	50	27' 6"	25' 0"	21' 10"	30' 11"	27' 5"	22' 5"	25' 0"	22' 9"	19' 10"	28' 1"	25' 6"	22' 3"
1400S300-118	50	28' 5"	25' 10"	22' 7"	31' 11"	28' 1"	22' 11"	25' 10"	23' 6"	20' 6"	29' 0"	26' 4"	22' 11"
1400S350-118	50	29' 9"	27' 0"	23' 7"	33' 5"	30' 4"	25' 11"	27' 0"	24' 7"	21' 5"	30' 4"	27' 7"	24' 1"
1600S162-68	50	19' 9"	17' 1"	14' 0"	18' 2"	14' 8"	10' 7"	19' 9"	17' 1"	14' 0"	18' 2"	14' 8"	10' 7"
1600S200-68	50	21' 5"	18' 7"	14' 9"	18' 9"	15' 1"	10' 9"	21' 5"	18' 7"	14' 9"	18' 9"	15' 1"	10' 9"
1600S250-68	50	22' 4"	19' 4"	14' 9"	18' 9"	15' 1"	10' 10"	22' 4"	19' 4"	14' 9"	18' 9"	15' 1"	10' 10"
1600S300-68	50	22' 11"	19' 10"	14' 9"	18' 11"	15' 2"	10' 10"	22' 11"	19' 10"	14' 9"	18' 11"	15' 2"	10' 10"
1600S350-68	50	25' 9"	22' 1"	14' 9"	19' 11"	15' 9"	11' 1"	24' 10"	22' 1"	14' 9"	19' 11"	15' 9"	11' 1"
1600S162-97	50	26' 1"	22' 7"	18' 5"	26' 1"	22' 7"	18' 5"	24' 5"	22' 1"	18' 5"	26' 1"	22' 7"	18' 5"
1600S200-97	50	27' 9"	24' 3"	19' 10"	28' 0"	24' 3"	19' 7"	25' 4"	22' 11"	19' 10"	28' 0"	24' 3"	19' 7"
1600S250-97	50	28' 8"	25' 3"	20' 7"	29' 2"	25' 3"	20' 1"	26' 2"	23' 9"	20' 7"	29' 2"	25' 3"	20' 1"
1600S300-97	50	29' 7"	25' 11"	21' 2"	29' 11"	25' 11"	20' 7"	27' 0"	24' 6"	21' 2"	29' 11"	25' 11"	20' 7"
1600S350-97	50	30' 11"	28' 1"	23' 5"	32' 6"	27' 7"	21' 7"	28' 2"	25' 7"	22' 4"	31' 7"	27' 7"	21' 7"
1600S162-118	50	28' 9"	26' 1"	21' 6"	30' 4"	26' 4"	21' 6"	26' 2"	23' 9"	20' 8"	29' 3"	26' 4"	21' 6"
1600S200-118	50	29' 9"	27' 0"	23' 0"	32' 6"	28' 2"	23' 0"	27' 1"	24' 7"	21' 6"	30' 4"	27' 6"	23' 0"
1600S250-118	50	30' 9"	27' 11"	23' 11"	33' 10"	29' 3"	23' 11"	28' 0"	25' 5"	22' 2"	31' 5"	28' 6"	23' 11"
1600S300-118	50	31' 9"	28' 10"	24' 7"	34' 9"	30' 1"	24' 7"	28' 10"	26' 2"	22' 10"	32' 4"	29' 4"	24' 7"
1600S350-118	50	33' 1"	30' 1"	26' 3"	37' 1"	33' 0"	26' 11"	30' 1"	27' 4"	23' 11"	33' 9"	30' 8"	26' 9"

"e" web stiffeners required at ends.

Web stiffeners required at interior supports for double span conditions.

See Table Notes on page 42.

40 psf Dead Load and 125 psf Live Load

Section	F _y (ksi)	L/360 Live Load Deflection						L/480 Live Load Deflection					
		Single Span			Double Span			Single Span			Double Span		
		Spacing (in) on center			Spacing (in) on center			Spacing (in) on center			Spacing (in) on center		
		12	16	24	12	16	24	12	16	24	12	16	24
600S162-33	33	6' 2"	5' 4"	3' 10"	5' 1"	4' 1"	2' 11"	6' 2"	5' 4"	3' 10"	5' 1"	4' 1"	2' 11"
600S200-33	33	6' 7"	5' 9"	3' 10"	5' 2"	4' 2"	2' 11"	6' 7"	5' 9"	3' 10"	5' 2"	4' 2"	2' 11"
600S162-43	33	7' 8"	6' 7"	5' 5"	7' 4"	6' 1"	4' 8"	7' 8"	6' 7"	5' 5"	7' 4"	6' 1"	4' 8"
600S200-43	33	7' 11"	6' 10"	5' 7"	7' 5"	6' 2"	4' 8"	7' 11"	6' 10"	5' 7"	7' 5"	6' 2"	4' 8"
600S250-43	33	8' 1"	7' 0"	5' 9"	7' 7"	6' 3"	4' 9"	8' 1"	7' 0"	5' 9"	7' 7"	6' 3"	4' 9"
600S162-54	50	10' 0"	8' 10"	7' 3"	10' 2"	8' 7"	6' 7"	9' 1"	8' 3"	7' 3"	10' 2"	8' 7"	6' 7"
600S200-54	50	10' 6"	9' 1"	7' 5"	10' 2"	8' 7"	6' 7"	9' 7"	8' 8"	7' 5"	10' 2"	8' 7"	6' 7"
600S250-54	50	10' 9"	9' 4"	7' 7"	10' 5"	8' 9"	6' 9"	10' 0"	9' 1"	7' 7"	10' 5"	8' 9"	6' 9"
600S162-68	50	10' 9"	9' 9"	8' 6"	12' 0"	10' 3"	8' 1"	9' 9"	8' 10"	7' 9"	10' 11"	9' 11"	8' 1"
600S200-68	50	11' 3"	10' 3"	8' 11"	12' 7"	10' 8"	8' 5"	10' 3"	9' 4"	8' 5"	11' 3"	10' 5"	8' 5"
600S250-68	50	11' 10"	10' 9"	8' 11"	12' 3"	10' 5"	8' 3"	10' 9"	9' 9"	8' 6"	12' 1"	10' 5"	8' 3"
600S162-97	50	11' 11"	10' 10"	9' 5"	13' 4"	12' 1"	9' 10"	10' 10"	9' 10"	8' 7"	12' 1"	11' 0"	9' 7"
600S200-97	50	12' 6"	11' 4"	9' 11"	14' 1"	12' 9"	10' 5"	11' 4"	10' 4"	9' 0"	12' 9"	11' 7"	10' 2"
600S250-97	50	13' 2"	11' 11"	10' 5"	14' 9"	13' 5"	10' 8"	11' 11"	10' 10"	9' 6"	13' 5"	12' 2"	10' 8"
600S162-118	50	12' 7"	11' 5"	10' 0"	14' 1"	12' 10"	10' 7"	11' 5"	10' 4"	9' 1"	12' 10"	11' 8"	10' 2"
600S200-118	50	13' 3"	12' 0"	10' 6"	14' 10"	13' 6"	11' 1"	12' 0"	10' 11"	9' 7"	13' 3"	12' 3"	10' 9"
600S250-118	50	13' 11"	12' 8"	11' 1"	15' 8"	14' 2"	11' 6"	12' 8"	11' 6"	10' 0"	14' 2"	12' 11"	11' 3"
800S162-33	33	5' 9"	4' 4"	2' 10"	4' 4"	3' 4"	2' 3"	5' 9"	4' 4"	2' 10"	4' 4"	3' 4"	2' 3"
800S200-33	33	5' 9"	4' 4"	2' 10"	4' 5"	3' 4"	2' 3"	5' 9"	4' 4"	2' 10"	4' 5"	3' 4"	2' 3"
800S162-43	33	8' 7"	7' 5"	6' 1"	7' 5"	6' 1"	4' 5"	8' 7"	7' 5"	6' 1"	7' 5"	6' 1"	4' 5"
800S200-43	33	9' 2"	8' 0"	6' 4"	8' 0"	6' 5"	4' 8"	9' 2"	8' 0"	6' 4"	8' 0"	6' 5"	4' 8"
800S250-43	33	9' 5"	8' 2"	6' 4"	8' 0"	6' 6"	4' 8"	9' 5"	8' 2"	6' 4"	8' 0"	6' 6"	4' 8"
800S162-54	50	11' 6"	10' 0"	8' 2"	11' 2"	9' 4"	7' 3"	11' 5"	10' 0"	8' 2"	11' 2"	9' 4"	7' 3"
800S200-54	50	12' 3"	10' 8"	8' 8"	12' 1"	10' 1"	7' 8"	12' 0"	10' 8"	8' 8"	12' 1"	10' 1"	7' 8"
800S250-54	50	12' 7"	10' 11"	8' 11"	12' 2"	10' 2"	7' 9"	12' 6"	10' 11"	8' 11"	12' 2"	10' 2"	7' 9"
800S162-68	50	13' 6"	11' 8"	9' 7"	13' 6"	11' 6"	9' 2"	12' 4"	11' 2"	9' 7"	13' 6"	11' 6"	9' 2"
800S200-68	50	14' 2"	12' 10"	10' 6"	14' 10"	12' 10"	10' 2"	12' 11"	11' 8"	10' 3"	14' 5"	12' 10"	10' 2"
800S250-68	50	14' 9"	12' 9"	10' 5"	14' 9"	12' 8"	9' 11"	13' 5"	12' 3"	10' 5"	14' 9"	12' 8"	9' 11"
800S162-97	50	15' 0"	13' 8"	11' 11"	16' 9"	14' 5"	11' 7"	13' 8"	12' 5"	10' 10"	15' 4"	13' 11"	11' 7"
800S200-97	50	15' 9"	14' 4"	12' 6"	17' 8"	16' 1"	13' 2"	14' 4"	13' 0"	11' 4"	16' 1"	14' 7"	12' 9"
800S250-97	50	16' 6"	15' 0"	13' 1"	18' 6"	16' 10"	13' 6"	15' 0"	13' 7"	11' 11"	16' 10"	15' 3"	13' 4"
800S162-118	50	15' 11"	14' 5"	12' 7"	17' 10"	16' 3"	13' 11"	14' 5"	13' 2"	11' 6"	16' 3"	14' 9"	12' 11"
800S200-118	50	16' 8"	15' 2"	13' 3"	18' 9"	17' 0"	14' 8"	15' 2"	13' 9"	12' 0"	17' 0"	15' 6"	13' 6"
800S250-118	50	17' 6"	15' 10"	13' 10"	19' 7"	17' 10"	15' 2"	15' 10"	14' 5"	12' 7"	17' 10"	16' 2"	14' 2"
1000S162-43	33	9' 6"	7' 7"	5' 1"	7' 1"	5' 7"	3' 11"	9' 6"	7' 7"	5' 1"	7' 1"	5' 7"	3' 11"
1000S200-43	33	10' 2"	7' 7"	5' 1"	7' 3"	5' 8"	3' 11"	10' 2"	7' 7"	5' 1"	7' 3"	5' 8"	3' 11"
1000S250-43	33	10' 2"	7' 7"	5' 1"	7' 4"	5' 9"	3' 11"	10' 2"	7' 7"	5' 1"	7' 4"	5' 9"	3' 11"
1000S162-54	50	12' 9"	11' 1"	9' 0"	11' 6"	9' 5"	6' 11"	12' 9"	11' 1"	9' 0"	11' 6"	9' 5"	6' 11"
1000S200-54	50	13' 9"	11' 11"	9' 8"	11' 10"	9' 8"	7' 1"	13' 9"	11' 11"	9' 8"	11' 10"	9' 8"	7' 1"
1000S250-54	50	14' 1"	12' 2"	10' 0"	12' 2"	9' 11"	7' 2"	14' 1"	12' 2"	10' 0"	12' 2"	9' 11"	7' 2"
1000S162-68	50	15' 1"	13' 1"	10' 8"	15' 1"	12' 11"	10' 1"	14' 8"	13' 1"	10' 8"	15' 1"	12' 11"	10' 1"
1000S200-68	50	16' 2"	14' 0"	11' 5"	16' 0"	13' 6"	10' 7"	15' 4"	13' 11"	11' 5"	16' 0"	13' 6"	10' 7"
1000S250-68	50	16' 7"	14' 4"	11' 9"	16' 7"	14' 3"	11' 1"	16' 1"	14' 4"	11' 9"	16' 7"	14' 3"	11' 1"
1000S162-97	50	18' 1"	16' 5"	13' 8"	19' 4"	16' 9"	13' 6"	16' 5"	14' 11"	13' 1"	18' 6"	16' 9"	13' 6"
1000S200-97	50	18' 11"	17' 2"	14' 7"	20' 7"	17' 10"	14' 4"	17' 2"	15' 7"	13' 8"	19' 3"	17' 6"	14' 4"
1000S250-97	50	19' 8"	17' 11"	15' 7"	22' 0"	19' 1"	15' 7"	17' 11"	16' 3"	14' 2"	20' 1"	18' 3"	15' 7"
1000S162-118	50	19' 2"	17' 5"	15' 3"	21' 6"	18' 9"	15' 2"	17' 5"	15' 10"	13' 10"	19' 7"	17' 9"	15' 2"
1000S200-118	50	20' 1"	18' 3"	15' 11"	22' 6"	20' 0"	16' 2"	18' 3"	16' 7"	14' 5"	20' 5"	18' 7"	16' 2"
1000S250-118	50	20' 11"	19' 0"	16' 7"	23' 5"	21' 4"	18' 0"	19' 0"	17' 3"	15' 1"	21' 4"	19' 4"	16' 11"

"e" web stiffeners required at ends.

Web stiffeners required at interior supports for double span conditions.

See Table Notes on page 42.



Floor Joist Spans

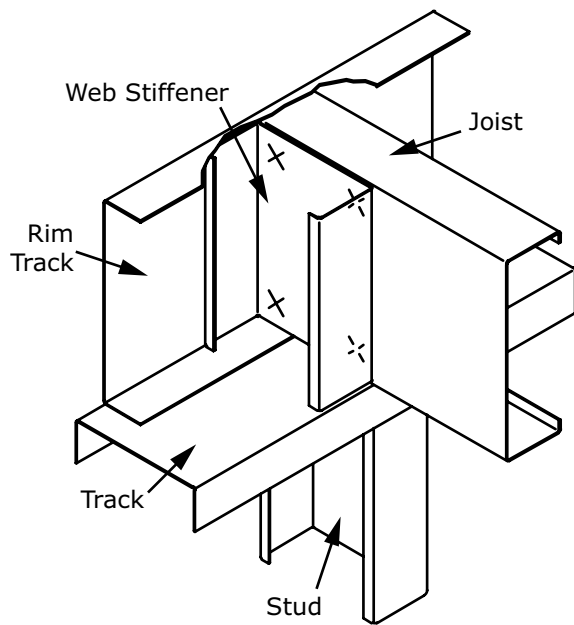
40 psf Dead Load and 125 psf Live Load

Section	F _y (ksi)	L/360 Live Load Deflection						L/480 Live Load Deflection					
		Single Span			Double Span			Single Span			Double Span		
		Spacing (in) on center			Spacing (in) on center			Spacing (in) on center			Spacing (in) on center		
		12	16	24	12	16	24	12	16	24	12	16	24
1200S162-54	50	13' 9"	11' 11"	8' 4"	11' 3"	8' 11"	6' 3"	13' 9"	11' 11"	8' 4"	11' 3"	8' 11"	6' 3"
1200S200-54	50	14' 10"	12' 6"	8' 4"	11' 5"	9' 0"	6' 4"	14' 10"	12' 6"	8' 4"	11' 5"	9' 0"	6' 4"
1200S250-54	50	15' 4"	12' 6"	8' 4"	11' 6"	9' 1"	6' 4"	15' 4"	12' 6"	8' 4"	11' 6"	9' 1"	6' 4"
1200S162-68	50	16' 4"	14' 2"	11' 7"	16' 0"	13' 5"	10' 2"	16' 4"	14' 2"	11' 7"	16' 0"	13' 5"	10' 2"
1200S200-68	50	17' 7"	15' 3"	12' 5"	16' 9"	13' 11"	10' 6"	17' 7"	15' 3"	12' 5"	16' 9"	13' 11"	10' 6"
1200S250-68	50	18' 2"	15' 9"	12' 10"	16' 10"	14' 0"	10' 7"	18' 2"	15' 9"	12' 10"	16' 10"	14' 0"	10' 7"
1200S162-97	50	21' 1"	18' 4"	15' 0"	21' 2"	18' 4"	15' 0"	19' 2"	17' 5"	15' 0"	21' 2"	18' 4"	15' 0"
1200S200-97	50	22' 0"	19' 7"	16' 0"	22' 8"	19' 7"	15' 11"	20' 0"	18' 2"	15' 10"	22' 5"	19' 7"	15' 11"
1200S250-97	50	22' 10"	20' 3"	16' 6"	23' 5"	20' 3"	16' 5"	20' 9"	18' 10"	16' 6"	23' 3"	20' 3"	16' 5"
1200S162-118	50	22' 5"	20' 4"	17' 3"	24' 5"	21' 1"	17' 2"	20' 4"	18' 6"	16' 2"	22' 10"	20' 9"	17' 2"
1200S200-118	50	23' 4"	21' 2"	18' 4"	26' 0"	22' 6"	18' 3"	21' 2"	19' 3"	16' 10"	23' 10"	21' 8"	18' 3"
1200S250-118	50	24' 3"	22' 0"	19' 0"	26' 10"	23' 3"	19' 0"	22' 0"	20' 0"	17' 6"	24' 9"	22' 6"	19' 0"
1200S300-118	50	25' 1"	22' 9"	19' 11"	28' 2"	24' 9"	20' 2"	22' 9"	20' 8"	18' 1"	25' 7"	23' 3"	20' 2"
1200S350-118	50	26' 4"	23' 11"	20' 10"	29' 6"	26' 10"	22' 0"	23' 11"	21' 8"	19' 0"	26' 10"	24' 4"	21' 3"
1400S162-54	50	14' 3"	10' 8"	7' 2"	10' 5"	8' 1"	5' 7"	14' 3"	10' 8"	7' 2"	10' 5"	8' 1"	5' 7"
1400S200-54	50	14' 3"	10' 8"	7' 2"	10' 7"	8' 2"	5' 7"	14' 3"	10' 8"	7' 2"	10' 7"	8' 2"	5' 7"
1400S250-54	50	14' 3"	10' 8"	7' 2"	10' 7"	8' 2"	5' 7"	14' 3"	10' 8"	7' 2"	10' 7"	8' 2"	5' 7"
1400S300-54	50	14' 3"	10' 8"	7' 2"	10' 8"	8' 2"	5' 7"	14' 3"	10' 8"	7' 2"	10' 8"	8' 2"	5' 7"
1400S350-54	50	14' 3"	10' 8"	7' 2"	10' 11"	8' 4"	5' 8"	14' 3"	10' 8"	7' 2"	10' 11"	8' 4"	5' 8"
1400S162-68	50	17' 4"	15' 0"	12' 3"	16' 4"	13' 4"	9' 10"	17' 4"	15' 0"	12' 3"	16' 4"	13' 4"	9' 10"
1400S200-68	50	18' 9"	16' 3"	13' 3"	16' 11"	13' 9"	10' 1"	18' 9"	16' 3"	13' 3"	16' 11"	13' 9"	10' 1"
1400S250-68	50	19' 6"	16' 10"	13' 9"	19' 6"	13' 9"	10' 1"	19' 6"	16' 10"	13' 9"	19' 6"	13' 9"	10' 1"
1400S300-68	50	19' 11"	17' 3"	14' 1"	17' 2"	13' 11"	10' 2"	19' 11"	17' 3"	14' 1"	17' 2"	13' 11"	10' 2"
1400S350-68	50	22' 3"	19' 3"	14' 4"	18' 5"	14' 9"	10' 7"	22' 3"	19' 3"	14' 4"	18' 5"	14' 9"	10' 7"
1400S162-97	50	22' 9"	19' 8"	16' 1"	22' 9"	19' 8"	16' 1"	21' 10"	19' 8"	16' 1"	22' 9"	19' 8"	16' 1"
1400S200-97	50	24' 4"	21' 1"	17' 3"	24' 4"	21' 1"	17' 1"	22' 8"	20' 7"	17' 3"	24' 4"	21' 1"	17' 1"
1400S250-97	50	25' 3"	21' 11"	17' 10"	25' 3"	21' 11"	17' 7"	23' 6"	21' 4"	17' 10"	25' 3"	21' 11"	17' 7"
1400S300-97	50	25' 10"	22' 5"	18' 3"	25' 10"	22' 5"	18' 0"	24' 3"	22' 0"	18' 3"	25' 10"	22' 5"	18' 0"
1400S350-97	50	28' 0"	24' 8"	20' 2"	28' 6"	24' 8"	20' 0"	25' 5"	23' 1"	20' 2"	28' 6"	24' 8"	20' 0"
1400S162-118	50	25' 7"	22' 10"	18' 7"	26' 4"	22' 10"	18' 7"	23' 3"	21' 1"	18' 5"	26' 1"	22' 10"	18' 7"
1400S200-118	50	26' 7"	24' 2"	19' 11"	28' 1"	24' 4"	19' 11"	24' 2"	21' 11"	19' 2"	27' 1"	24' 4"	19' 11"
1400S250-118	50	27' 6"	25' 0"	20' 7"	29' 2"	25' 3"	20' 7"	25' 0"	22' 9"	19' 10"	28' 1"	25' 3"	20' 7"
1400S300-118	50	28' 5"	25' 10"	21' 1"	29' 10"	25' 10"	21' 1"	25' 10"	23' 6"	20' 6"	29' 0"	25' 10"	21' 1"
1400S350-118	50	29' 9"	27' 0"	23' 7"	33' 5"	29' 3"	23' 11"	27' 0"	24' 7"	21' 5"	30' 4"	27' 7"	23' 11"
1600S162-68	50	18' 2"	15' 9"	12' 6"	16' 1"	12' 11"	9' 3"	18' 2"	15' 9"	12' 6"	16' 1"	12' 11"	9' 3"
1600S200-68	50	19' 9"	17' 1"	12' 6"	16' 7"	13' 2"	9' 4"	19' 9"	17' 1"	12' 6"	16' 7"	13' 2"	9' 4"
1600S250-68	50	20' 7"	17' 10"	12' 6"	16' 7"	13' 3"	9' 4"	20' 7"	17' 10"	12' 6"	16' 7"	13' 3"	9' 4"
1600S300-68	50	21' 2"	18' 4"	12' 6"	16' 9"	13' 4"	9' 5"	21' 2"	18' 4"	12' 6"	16' 9"	13' 4"	9' 5"
1600S350-68	50	23' 8"	18' 9"	12' 6"	17' 6"	13' 9"	9' 7"	23' 8"	18' 9"	12' 6"	17' 6"	13' 9"	9' 7"
1600S162-97	50	24' 0"	20' 10"	17' 0"	24' 0"	20' 10"	16' 10"	24' 0"	20' 10"	17' 0"	24' 0"	20' 10"	16' 10"
1600S200-97	50	25' 10"	22' 4"	18' 3"	25' 10"	22' 4"	17' 8"	25' 2"	22' 4"	18' 3"	25' 10"	22' 4"	17' 8"
1600S250-97	50	26' 10"	23' 3"	19' 0"	26' 10"	23' 2"	18' 2"	26' 1"	23' 3"	19' 0"	26' 10"	23' 2"	18' 2"
1600S300-97	50	27' 7"	23' 11"	19' 6"	27' 7"	23' 9"	18' 7"	26' 11"	23' 11"	19' 6"	27' 7"	23' 9"	18' 7"
1600S350-97	50	30' 6"	26' 5"	21' 7"	29' 7"	25' 0"	19' 6"	28' 2"	25' 6"	21' 7"	29' 7"	25' 0"	19' 6"
1600S162-118	50	28' 0"	24' 3"	19' 9"	28' 0"	24' 3"	19' 9"	26' 1"	23' 8"	19' 9"	28' 0"	24' 3"	19' 9"
1600S200-118	50	29' 8"	25' 11"	21' 2"	29' 11"	25' 11"	21' 2"	27' 1"	24' 7"	21' 2"	29' 11"	25' 11"	21' 2"
1600S250-118	50	30' 8"	27' 0"	22' 0"	31' 2"	27' 0"	22' 0"	28' 0"	25' 5"	22' 0"	31' 2"	27' 0"	22' 0"
1600S300-118	50	31' 8"	27' 8"	22' 7"	32' 0"	27' 8"	22' 7"	28' 10"	26' 2"	22' 7"	32' 0"	27' 8"	22' 7"
1600S350-118	50	33' 1"	30' 0"	24' 10"	35' 1"	30' 5"	24' 8"	30' 1"	27' 4"	23' 10"	33' 9"	30' 5"	24' 8"

"e" web stiffeners required at ends.

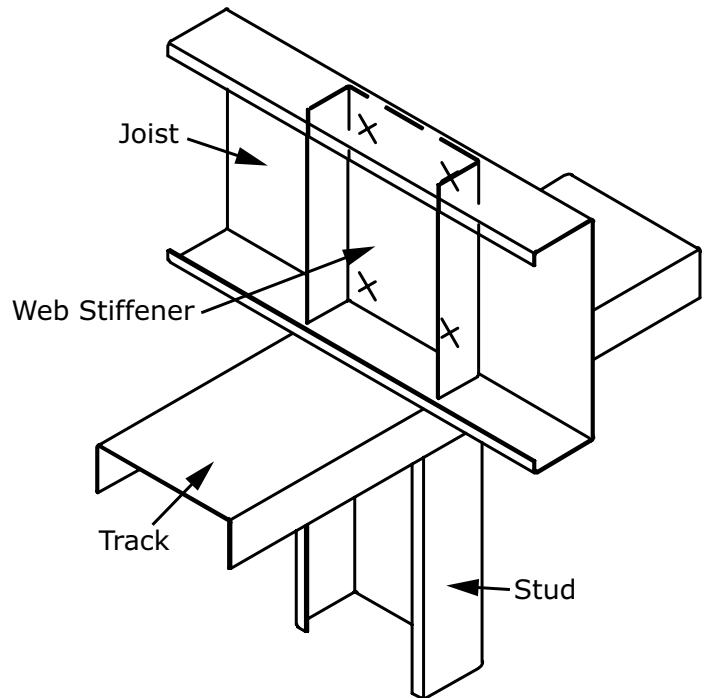
Web stiffeners required at interior supports for double span conditions.

See Table Notes on page 42.

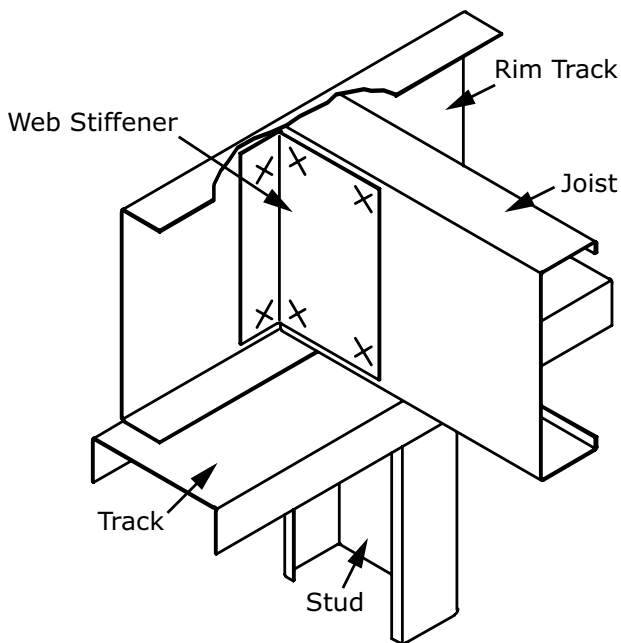


Stud Stiffener on Back of Joist

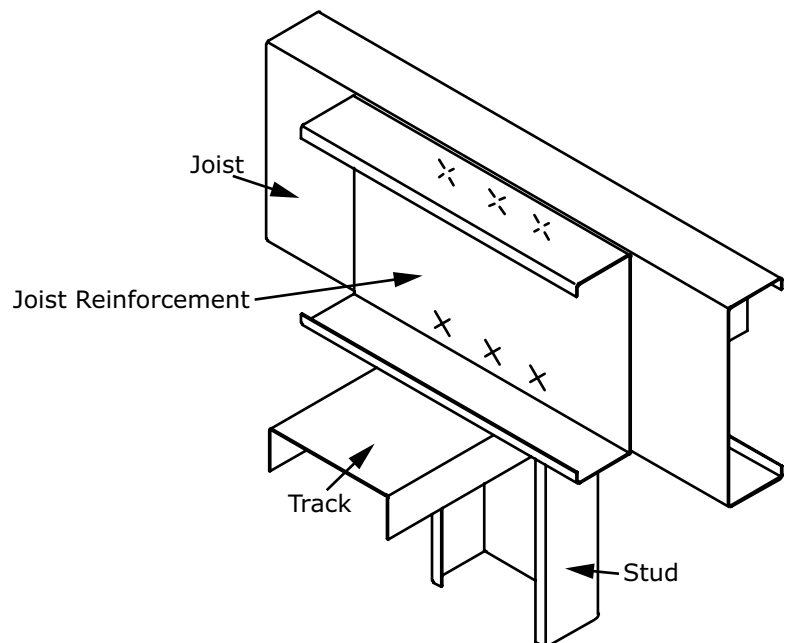
General Note:
All connections should be designed by a licensed design professional.



Track Stiffener Inside Joist



Clip Angle Stiffener on Back of Joist



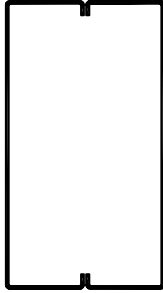
Web Reinforcement - Double Web
(use back-to-back web crippling tables)

Web Stiffener and Joist Reinforcement Details

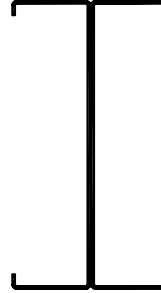
Bearing stiffeners must be designed in accordance with AISI S100 section C3.7.

Table Notes

1. Values are for unpunched members.
2. Total load deflection is limited to L/360.
3. Headers are made from two boxed or back-to-back members.
4. Allowable moment, shear, and web crippling are based on twice the capacity of a single member. The moment of inertia is based on twice the value of the single member.
5. Web crippling check is based on 1" of bearing at end supports.
6. Members are assumed adequately braced for bending.
7. Allowable loads are for simply supported headers with uniform bending loads only.
8. See page 5 for additional table notes.



Boxed Header



Back-to-Back Header

Header Allowable Uniform Loads (PLF)

Section	Yield Strength (ksi)	Span						
		3 (ft)	4 (ft)	5 (ft)	6 (ft)	8 (ft)	10 (ft)	12 (ft)
550S162-33	33	931.4e	698.5e	460.1e	319.5e	179.7e	115.0e	73.8e
550S162-43	33	1946.5e	1094.9e	700.8e	486.6e	273.7e	164.6e	95.3e
550S162-54	50	3484.7e	1960.1e	1254.5e	871.2e	396.8e	203.2	117.6
550S162-68	50	4782.6e	2690.2e	1721.7e	1157.8e	488.5e	250.1	144.7
600S137-33	33	850.8e	638.1e	436.5e	303.1e	170.5e	109.1e	75.8e
600S162-33	33	850.8e	638.1e	504.9e	350.6e	197.2e	126.2e	87.6e
600S200-33	33	850.8e	638.1e	510.5e	398.7e	224.2e	143.5e	99.7e
600S137-43	33	1751.1e	985.0e	630.4e	437.8e	246.3e	157.6e	103.2e
600S162-43	33	1887.6e	1205.1e	771.3e	535.6e	301.3e	192.8e	117.1e
600S200-43	33	1887.6e	1282.4e	820.7e	569.9e	320.6e	205.2e	135.7e
600S250-43	33	1887.6e	1350.7e	864.4e	600.3e	337.7e	216.1e	150.1e
600S137-54	50	3146.8e	1770.1e	1132.9e	786.7e	429.8e	220.1	127.3
600S162-54	50	3763.8e	2158.3e	1381.3e	959.3e	488.3e	250.0e	144.7
600S200-54	50	3763.8e	2281.9e	1460.4e	1014.2e	566.7e	290.1e	167.9
600S250-54	50	3763.8e	2392.7e	1531.4e	1063.4e	598.2e	329.1e	190.5
600S137-68	50	4280.5e	2407.8e	1541.0e	1070.1e	528.3e	270.5	156.5
600S162-68	50	5288.3e	2974.7e	1903.8e	1322.1e	601.7e	308.1	178.3
600S200-68	50	5880.1e	3307.5e	2116.8e	1470.0e	700.0e	358.4	207.4
600S250-68	50	5788.2e	3255.8e	2083.7e	1447.0e	806.3e	412.8e	238.9
600S137-97	50	7526.5e	4233.7e	2709.5e	1694.8e	715	366.1	211.8
600S162-97	50	8403.7e	4727.1e	3025.3e	1941.3e	819	419.3	242.7
600S200-97	50	9432.6e	5305.9e	3395.7e	2270.9e	958.0e	490.5	283.9
600S250-97	50	9898.1e	5567.7e	3563.3e	2474.5e	1109.0e	567.8	328.6
600S137-118	50	9138.7e	5140.5e	3289.9e	1987.9e	838.7	429.4	248.5
600S162-118	50	10212.8e	5744.7e	3676.6e	2287.3e	965	494.1	285.9
600S200-118	50	11620.3e	6536.4e	4183.3e	2687.4e	1133.7	580.5	335.9
600S250-118	50	12729.2e	7160.2e	4582.5e	3121.2e	1316.7e	674.2	390.1
800S137-33	33	632.0e	474.0e	379.2e	316.0e	223.2e	142.8e	99.2e
800S162-33	33	632.0e	474.0e	379.2e	316.0e	237.0e	168.1e	116.7e
800S200-33	33	632.0e	474.0e	379.2e	316.0e	237.0e	189.6e	134.5e
800S137-43	33	1401.5e	1051.2e	840.9e	584.3e	328.7e	210.3e	146.1e
800S162-43	33	1401.5e	1051.2e	840.9e	678.8e	381.8e	244.4e	169.7e
800S200-43	33	1401.5e	1051.2e	840.9e	700.8e	437.2e	279.8e	194.3e
800S250-43	33	1401.5e	1051.2e	840.9e	700.8e	459.5e	294.1e	204.2e
800S137-54	50	2788.4e	2091.3e	1518.3e	1054.4e	593.1e	379.6e	251.6e
800S162-54	50	2788.4e	2091.3e	1673.0e	1215.2e	683.6e	437.5e	283.3e
800S200-54	50	2788.4e	2091.3e	1673.0e	1384.1e	778.6e	498.3e	332.5e
800S250-54	50	2788.4e	2091.3e	1673.0e	1394.2e	815.2e	521.7e	362.3e
800S137-68	50	5627.6e	3297.6e	2110.4e	1465.6e	824.4e	527.6e	317.9e
800S162-68	50	5627.6e	3759.1e	2405.8e	1670.7e	939.8e	601.4e	357.6e
800S200-68	50	5627.6e	4220.7e	2917.3e	2025.9e	1139.6e	711.5e	411.8e
800S250-68	50	5627.6e	4220.7e	2866.9e	1990.9e	1119.9e	716.7e	467.4e
800S137-97	50	9468.1e	5325.8e	3408.5e	2367.0e	1331.5e	751.5e	434.9
800S162-97	50	10657.1e	5994.6e	3836.6e	2664.3e	1498.7e	849.0e	491.3
800S200-97	50	13297.5e	7479.8e	4787.1e	3324.4e	1870.0e	979.3e	566.7
800S250-97	50	13839.9e	7785.0e	4982.4e	3460.0e	1946.2e	1117.9e	646.9e
800S137-118	50	14157.3e	7963.5e	5096.6e	3539.3e	1732.3e	886.9	513.3
800S162-118	50	15589.2e	8768.9e	5612.1e	3897.3e	1964.0e	1005.5e	581.9
800S200-118	50	17414.8e	9795.8e	6269.3e	4353.7e	2273.2e	1163.9e	673.5
800S250-118	50	18210.1e	10243.2e	6555.6e	4552.5e	2560.8e	1332.2e	771

"e" web stiffeners required at ends.

Header Allowable Uniform Loads (PLF)

Section	Yield Strength (ksi)	Span						
		3 (ft)	4 (ft)	5 (ft)	6 (ft)	8 (ft)	10 (ft)	12 (ft)
1000S137-43	33	1114.6e	835.9e	668.7e	557.3e	397.8e	254.6e	176.8e
1000S162-43	33	1114.6e	835.9e	668.7e	557.3e	418.0e	299.9e	208.2e
1000S200-43	33	1114.6e	835.9e	668.7e	557.3e	418.0e	334.4e	242.1e
1000S250-43	33	1114.6e	835.9e	668.7e	557.3e	418.0e	334.4e	256.2e
1000S137-54	50	2214.5e	1660.8e	1328.7e	1107.2e	721.1e	461.5e	320.5e
1000S162-54	50	2214.5e	1660.8e	1328.7e	1107.2e	830.4e	538.3e	373.8e
1000S200-54	50	2214.5e	1660.8e	1328.7e	1107.2e	830.4e	621.6e	431.6e
1000S250-54	50	2214.5e	1660.8e	1328.7e	1107.2e	830.4e	655.5e	455.2e
1000S137-68	50	4460.5e	3345.4e	2611.5e	1813.5e	1020.1e	652.9e	453.4e
1000S162-68	50	4460.5e	3345.4e	2676.3e	2087.2e	1174.0e	751.4e	521.8e
1000S200-68	50	4460.5e	3345.4e	2676.3e	2230.3e	1343.8e	860.0e	597.2e
1000S250-68	50	4460.5e	3345.4e	2676.3e	2230.3e	1419.4e	908.4e	630.8e
1000S137-97	50	12117.7e	8816.2e	4362.4e	3029.4e	1704.1e	1090.6e	757.4e
1000S162-97	50	13151.6e	7712.9e	4936.2e	3427.9e	1928.2e	1234.1e	857.0e
1000S200-97	50	13151.6e	8727.6e	5585.7e	3878.9e	2181.9e	1396.4e	969.7e
1000S250-97	50	13151.6e	9863.7e	6407.1e	4449.4e	2502.8e	1601.8e	1104.1e
1000S137-118	50	15854.9e	8918.4e	5707.8e	3963.7e	2229.6e	1426.9e	910.9e
1000S162-118	50	17827.7e	10028.1e	6418.0e	4456.9e	2507.0e	1604.5e	1020.2e
1000S200-118	50	20110.4e	11312.1e	7239.8e	5027.6e	2828.0e	1809.9e	1166.0e
1000S250-118	50	21646.1e	13316.3e	8522.4e	5918.4e	3329.1e	2130.6e	1319.2e
1200S137-54	50	1836.5e	1377.4e	1101.9e	918.2e	688.7e	529.9e	368.0e
1200S162-54	50	1836.5e	1377.4e	1101.9e	918.2e	688.7e	550.9e	432.9e
1200S200-54	50	1836.5e	1377.4e	1101.9e	918.2e	688.7e	550.9e	459.1e
1200S250-54	50	1836.5e	1377.4e	1101.9e	918.2e	688.7e	550.9e	459.1e
1200S137-68	50	3694.3e	2770.7e	2216.6e	1847.2e	1187.3e	759.9e	527.7e
1200S162-68	50	3694.3e	2770.7e	2216.6e	1847.2e	1377.9e	881.8e	612.4e
1200S200-68	50	3694.3e	2770.7e	2216.6e	1847.2e	1385.4e	1020.7e	708.8e
1200S250-68	50	3694.3e	2770.7e	2216.6e	1847.2e	1385.4e	1087.9e	755.5e
1200S137-97	50	10862.7e	8144.0e	5212.1e	3619.5e	2036.0e	1303.0e	904.9e
1200S162-97	50	10862.7e	8147.0e	5936.1e	4122.3e	2318.8e	1484.0e	1030.6e
1200S200-97	50	10862.7e	8147.0e	6517.6e	4698.7e	2643.0e	1691.5e	1174.7e
1200S250-97	50	10862.7e	8147.0e	6517.6e	5013.8e	2820.3e	1805.0e	1253.5e
1200S137-118	50	19323.9e	10869.7e	6956.6e	4831.0e	2717.4e	1739.1e	1207.7e
1200S162-118	50	19980.7e	12269.5e	7852.5e	5453.1e	3067.4e	1963.1e	1363.3e
1200S200-118	50	19980.7e	13900.1e	8896.1e	6177.8e	3475.0e	2224.0e	1544.5e
1200S250-118	50	19980.7e	14880.8e	9523.7e	6613.7e	3720.2e	2380.9e	1653.4e
1200S300-118	50	19980.7e	14985.5e	10756.0e	7469.4e	4201.6e	2689.0e	1867.4e
1200S350-118	50	19980.7e	14985.5e	11988.4e	8850.4e	4978.3e	3186.1e	2212.6e
1400S162-54	50	1568.7e	1176.5e	941.2e	784.4e	588.3e	470.6e	392.2e
1400S200-54	50	1568.7e	1176.5e	941.2e	784.4e	588.3e	470.6e	392.2e
1400S250-54	50	1568.7e	1176.5e	941.2e	784.4e	588.3e	470.6e	392.2e
1400S300-54	50	1568.7e	1176.5e	941.2e	784.4e	588.3e	470.6e	392.2e
1400S350-54	50	1568.7e	1176.5e	941.2e	784.4e	588.3e	470.6e	392.2e
1400S162-68	50	3152.8e	2364.6e	1891.7e	1576.4e	1182.3e	945.8e	690.3e
1400S200-68	50	3152.8e	2364.6e	1891.7e	1576.4e	1182.3e	945.8e	788.2e
1400S250-68	50	3152.8e	2364.6e	1891.7e	1576.4e	1182.3e	945.8e	788.2e
1400S300-68	50	3152.8e	2364.6e	1891.7e	1576.4e	1182.3e	945.8e	788.2e
1400S350-68	50	3152.8e	2364.6e	1891.7e	1576.4e	1182.3e	945.8e	788.2e
1400S162-97	50	9252.4e	6939.3e	5551.4e	4626.2e	2665.9e	1706.2e	1184.8e
1400S200-97	50	9252.4e	6939.3e	5551.4e	4626.2e	3062.0e	1959.7e	1360.9e
1400S250-97	50	9252.4e	6939.3e	5551.4e	4626.2e	3290.4e	2105.8e	1462.4e
1400S300-97	50	9252.4e	6939.3e	5551.4e	4626.2e	3446.8e	2206.0e	1531.9e
1400S350-97	50	9252.4e	6939.3e	5551.4e	4626.2e	3469.6e	2683.4e	1863.5e
1400S162-118	50	16993.8e	12745.4e	9153.4e	6356.5e	3575.5e	2288.3e	1589.1e
1400S200-118	50	16993.8e	12745.4e	10196.3e	7245.3e	4075.5e	2608.3e	1811.3e
1400S250-118	50	16993.8e	12745.4e	10196.3e	7793.3e	4383.7e	2805.6e	1948.3e
1400S300-118	50	16993.8e	12745.4e	10196.3e	8178.0e	4600.1e	2944.1e	2044.5e
1400S350-118	50	16993.8e	12745.4e	10196.3e	8496.9e	5892.6e	3771.3e	2618.9e
1600S162-68	50	2749.7e	2062.3e	1649.8e	1374.8e	1031.1e	824.9e	687.4e
1600S200-68	50	2749.7e	2062.3e	1649.8e	1374.8e	1031.1e	824.9e	687.4e
1600S250-68	50	2749.7e	2062.3e	1649.8e	1374.8e	1031.1e	824.9e	687.4e
1600S300-68	50	2749.7e	2062.3e	1649.8e	1374.8e	1031.1e	824.9e	687.4e
1600S350-68	50	2749.7e	2062.3e	1649.8e	1374.8e	1031.1e	824.9e	687.4e
1600S162-97	50	8057.9e	6043.4e	4834.7e	4028.9e	2975.1e	1904.1e	1322.3e
1600S200-97	50	8057.9e	6043.4e	4834.7e	4028.9e	3021.7e	2199.8e	1527.7e
1600S250-97	50	8057.9e	6043.4e	4834.7e	4028.9e	3021.7e	2381.4e	1653.7e
1600S300-97	50	8057.9e	6043.4e	4834.7e	4028.9e	3021.7e	2417.4e	1743.7e
1600S350-97	50	8057.9e	6043.4e	4834.7e	4028.9e	3021.7e	2417.4e	2014.5e
1600S162-118	50	14783.8e	11087.9e	8870.3e	7175.0e	4035.9e	2583.0e	1793.8e
1600S200-118	50	14783.8e	11087.9e	8870.3e	7391.9e	4622.1e	2958.1e	2054.3e
1600S250-118	50	14783.8e	11087.9e	8870.3e	7391.9e	5001.5e	3201.0e	2222.9e
1600S300-118	50	14783.8e	11087.9e	8870.3e	7391.9e	5275.8e	3376.5e	2344.8e
1600S350-118	50	14783.8e	11087.9e	8870.3e	7391.9e	5543.9e	4061.0e	2820.1e

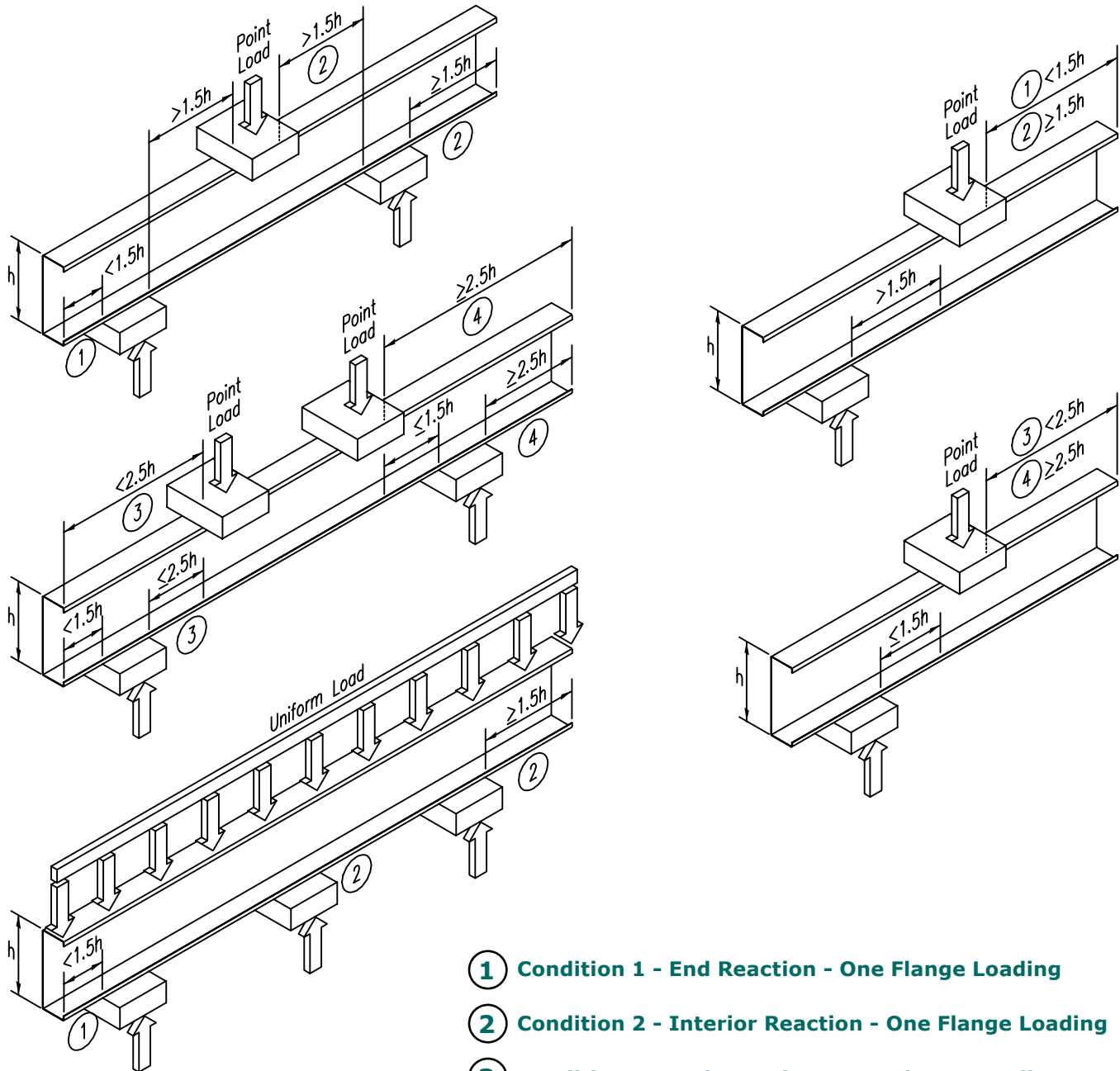
"e" web stiffeners required at ends.

See Table Notes on page 56.

Table Notes

1. Listed allowable loads apply only to S-Sections.
2. For back-to-back members, the listed allowable loads are for the entire two-member assembly.
3. Listed allowable loads are based on members fastened to supports, except back-to-back members under two-flange loading (conditions 3 and 4) for which data for 'fastened to support' is unavailable in the AISI S100 Specification.
4. For back-to-back members, the distance between the web connectors and the flange shall be kept to a minimum.
5. Listed allowable loads are for unpunched webs. Capacity reductions for end and interior one flange loading (conditions 1 and 2) near punchouts may be calculated per AISI S100 Specification Section C3.4.2.
6. "h" refers to the flat dimension of the web. See Web Depth-to-Thickness Ratios table on page 6.
7. See page 5 for additional table notes.

Web Crippling Conditions



- ① **Condition 1 - End Reaction - One Flange Loading**
- ② **Condition 2 - Interior Reaction - One Flange Loading**
- ③ **Condition 3 - End Reaction - Two Flange Loading**
- ④ **Condition 4 - Interior Reaction - Two Flange Loading**

Allowable Web Crippling Loads (lbs) - Single Members (S-Sections)

Section	Design Thickness (in)	Mil Thickness (mil)	Fy (ksi)	Condition 1 Fasten to Support			Condition 2 Fasten to Support			Condition 3 Fasten to Support			Condition 4 Fasten to Support		
				Bearing Length (in)			Bearing Length (in)			Bearing Length (in)			Bearing Length (in)		
				1	3.5	6	1	3.5	6	1	3.5	6	1	3.5	6
162	0.0188	18	33	55	89 ¹	112 ^{1,2}	87	125 ¹	151 ^{1,2}	45	64 ¹	76 ^{1,2}	122	161 ¹	186 ^{1,2}
162	0.0283	27	33	122	194 ¹	242 ^{1,2}	218	304 ¹	361 ^{1,2}	111	151 ¹	178 ^{1,2}	290	371 ¹	425 ^{1,2}
162	0.0312	30	33	148	233 ¹	290 ¹	269	373 ¹	442 ¹	137	185 ¹	217 ¹	356	452 ¹	516 ¹
162	0.0346	33	33	180	282 ¹	350 ¹	336	462 ¹	545 ¹	170	229 ¹	267 ¹	441	557 ¹	634 ¹
162	0.0451	43	33	298	459 ¹	566 ¹	589	793 ¹	929 ¹	297	390 ¹	452 ¹	764	946 ¹	1067 ¹
162	0.0566	54	50	677	1027 ¹	1260 ¹	1370	1812 ¹	2105 ¹	714	922 ¹	1061 ¹	1823	2222 ¹	2487 ¹
162	0.0713	68	50	1019	1522 ¹	1856 ¹	2100	2729 ¹	3147 ¹	1136	1443 ¹	1646 ¹	2880	3458 ¹	3842 ¹
250	0.0188	18	33	52	84	106 ^{1,2}	85	122	147 ^{1,2}	37	51	61 ^{1,2}	109	145	168 ^{1,2}
250	0.0283	27	33	117	186	231 ^{1,2}	213	298	354 ^{1,2}	96	130	153 ^{1,2}	268	343	393 ^{1,2}
250	0.0312	30	33	141	223	277 ¹	264	365	433 ¹	119	161	189 ¹	330	420	479 ¹
250	0.0346	33	33	173	271	336 ¹	330	453	535 ¹	150	201	235 ¹	411	519	591 ¹
250	0.0451	43	33	287	443	547 ¹	580	780	913 ¹	267	351	407 ¹	720	892	1006 ¹
250	0.0566	54	50	656	996	1222 ¹	1350	1785	2075 ¹	652	842	968 ¹	1730	2109	2361 ¹
250	0.0713	68	50	990	1480	1805 ¹	2073	2693	3106 ¹	1049	1333	1521 ¹	2750	3302	3669 ¹
250	0.1017	97	50	1872	2726	3293 ¹	4025	5095	5805 ¹	2167	2683	3026 ¹	5597	6575	7225 ¹
350	0.0188	18	33	49	80	100 ²	83	119	143 ²	28	40	48 ²	98	130	150 ²
350	0.0283	27	33	112	177	221 ²	209	292	347 ²	81	111	130 ²	247	316	362 ²
350	0.0312	30	33	135	214	266	259	359	425	103	139	163	306	389	445
350	0.0346	33	33	166	260	323	324	445	526	131	175	205	384	484	551
350	0.0451	43	33	278	428	528	571	768	900	240	315	365	680	842	949
350	0.0566	54	50	637	967	1186	1331	1761	2046	594	768	883	1645	2005	2245
350	0.0713	68	50	965	1441	1758	2047	2660	3068	970	1232	1406	2631	3159	3510
350	0.1017	97	50	1831	2666	3220 ¹	3983	5041	5745 ¹	2035	2520	2842 ¹	5397	6339	6965 ¹
362	0.0188	18	33	49	79	99 ²	82	119	143 ²	27	39	46 ²	97	128	149 ²
362	0.0283	27	33	111	177	220 ²	209	291	346 ²	80	108	127 ²	245	313	359 ²
362	0.0312	30	33	135	213	265	258	358	424	101	136	160	304	386	441
362	0.0346	33	33	165	259	322	323	444	525	129	173	202	381	480	547
362	0.0451	43	33	277	427	526	570	767	898	236	311	360	675	836	943
362	0.0566	54	50	634	963	1182	1329	1758	2043	588	760	874	1635	1994	2232
362	0.0713	68	50	962	1437	1752	2044	2657	3064	961	1221	1393	2618	3143	3492
362	0.1017	97	50	1827	2659	3212	3978	5035	5738	2020	2501	2821	5374	6313	6936
400	0.0283	27	33	109	174	217 ²	207	289	344 ²	75	102	120 ²	238	305	349 ²
400	0.0312	30	33	133	210	261	257	356	421	95	129	151	296	376	429
400	0.0346	33	33	163	256	317	322	442	522	122	164	192	372	469	534
400	0.0451	43	33	274	422	520	367	763	893	227	299	346	662	819	924
400	0.0566	54	50	628	954	1170	1323	1750	2034	569	735	846	1607	1960	2194
400	0.0713	68	50	953	1424	1737	2036	2646	3051	936	1188	1356	2579	3096	3440
400	0.1017	97	50	1814	2640	3189	3965	5018	5718	1978	2448	2761	5309	6236	6852
550	0.0283	27	33	103	164	205 ²	202	282	336 ²	58	79	93 ²	214	274	314 ²
550	0.0312	30	33	126	199	248	251	348	412	76	103	120	268	341	389
550	0.0346	33	33	155	243	302	315	432	511	100	134	157	339	428	487
550	0.0451	43	33	262	405	499	556	749	877	195	256	297	614	760	858
550	0.0566	54	50	606	920	1128	1302	1722	2001	502	649	746	1508	1838	2058
550	0.0713	68	50	923	1380	1683	2007	2608	3007	844	1071	1223	2441	2931	3256
550	0.1017	97	50	1766	2571	3106	3917	4957	5648	1826	2261	2550	5078	5965	6555
600	0.0312	30	33	124	196	243	249	345	409	70	95	111	260	330	377
600	0.0346	33	33	153	240	297	313	430	507	93	125	146	329	416	473
600	0.0451	43	33	259	400	493	553	745	872	185	243	282	600	743	838
600	0.0566	54	50	599	909	1116	1295	1713	1991	482	623	716	1478	1802	2017
600	0.0713	68	50	914	1366	1666	1998	2596	2994	816	1036	1183	2399	2881	3201
600	0.1017	97	50	1752	2551	3081	3902	4939	5628	1781	2205	2487	5010	5885	6466
600	0.1242	118	50	2528	3625	4354	5698	7108	8046	2734	3339	3741	7555	8772	9581
800	0.0451	43	33	247	381	470	542	730	854	150	197	228	548	678	765
800	0.0566	54	50	575	872	1070	1272	1682	1955	409	529	608	1370	1670	1869
800	0.0713	68	50	882	1318	1607	1966	2555	2946	716	910	1038	2250	2701	3001
800	0.1017	97	50	1702	2477	2992	3850	4873	5553	1618	2003	2259	4761	5593	6145
800	0.1242	118	50	2462	3531	4241	5629	7023	7949	2518	3075	3445	7223	8387	9160
1000	0.0566	54	50	553	840	1031	1251	1655	1923	346	447	514	1275	1554	1740
1000	0.0713	68	50	854	1275	1555	1938	2518	2904	629	799	912	2119	2544	2826
1000	0.1017	97	50	1657	2412	2914	3805	4815	5487	1476	1827	2060	4545	5338	5866
1000	0.1242	118	50	2405	3449	4143	5569	6948	7864	2330	2845	3187	6934	8051	8794
1200	0.0713	68	50	828	1237	1509	1913	2485	2866	551	699	798	2001	2402	2669
1200	0.1017	97	50	1618	2355	2844	3764	4764	5428	1348	1668	1882	4350	5109	5614
1200	0.1242	118	50	2354	3375	4054	5515	6881	7788	2161	2638	2956	6675	7750	8465
1400	0.0713	68	50	805	1202	1466	1889	2455	2831	479	608	694	1892	2272	2525
1400	0.1017	97	50	1581	2301	2780	3726	4716	5374	1230	1523	1718	4171	4900	5384
1400	0.1242	118	50	2307	3308	3973	5466	6819	7719	2006	2449	2744	6437	7474	8164
1600	0.1017	97	50	1547	2252	2721	3692	4673	5324	1121	1388	1566	4005	4705	5170
1600	0.1242	118	50	2263	3245	3898	5420	6762	7654	1862	2274	2548	6217	7219	7884

¹ Bearing length to web height ratio, N/h exceeds limit of 2.

² Bearing length to thickness ratio, N/t exceeds limit of 210.

See Table Notes and figures on page 58.

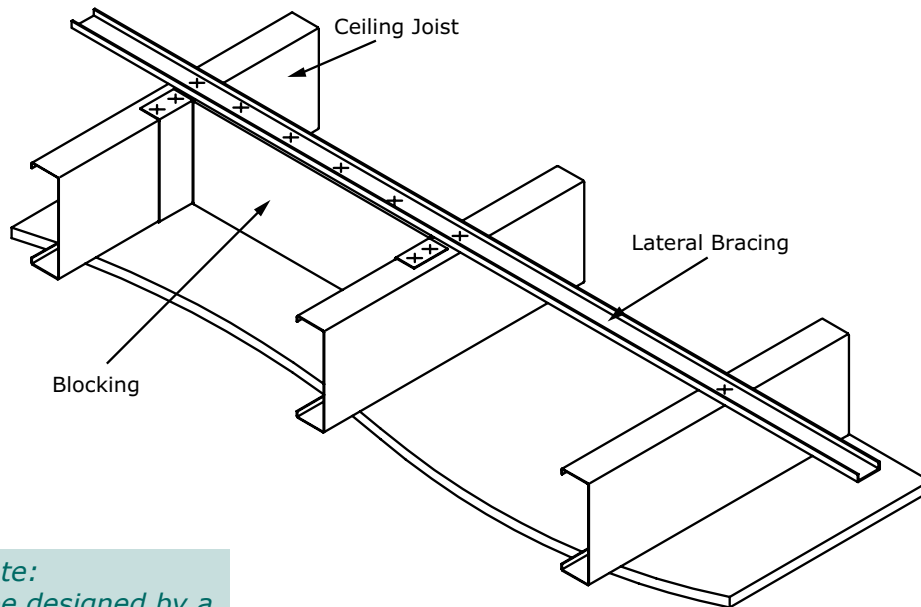


Allowable Web Crippling Loads (lbs) - Back-to-Back Members (S-Sections)

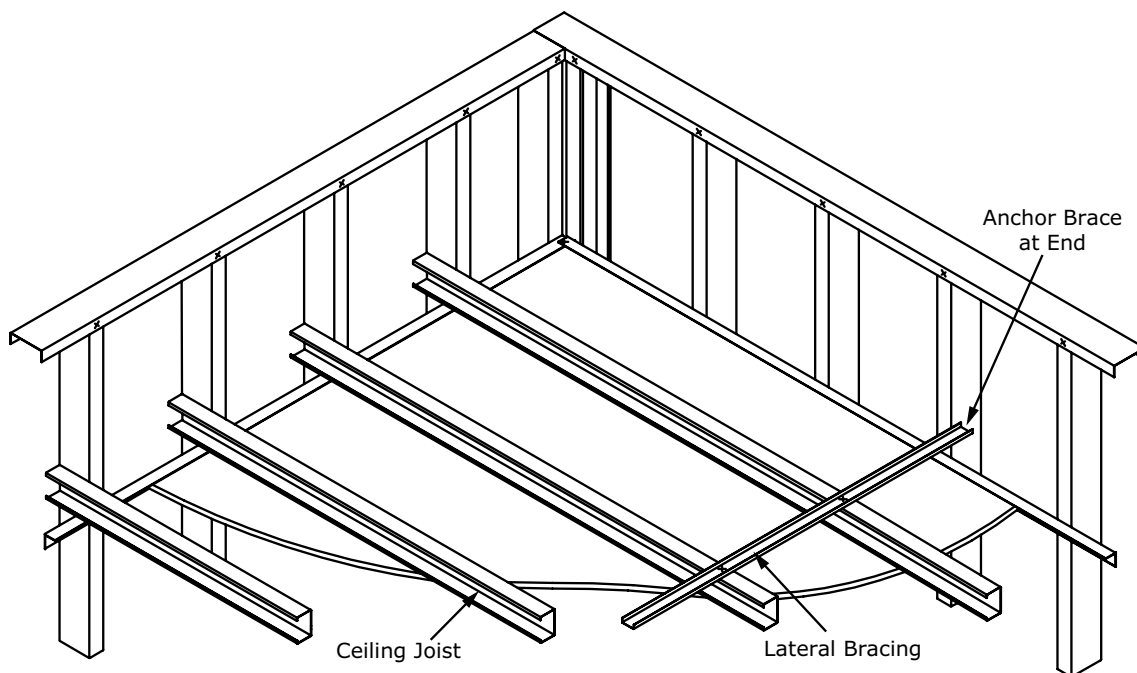
Section	Design Thickness (in)	Mil Thickness (mil)	Fy (ksi)	Condition 1 Fasten to Support			Condition 2 Fasten to Support			Condition 3 Unfasten to Support			Condition 4 Unfasten to Support		
				Bearing Length (in)			Bearing Length (in)			Bearing Length (in)			Bearing Length (in)		
				1	3.5	6	1	3.5	6	1	3.5	6	1	3.5	6
162	0.0188	18	33	247	392 ¹	488 ^{1,2}	312	434 ¹	514 ^{1,2}	151	200 ¹	232 ^{1,2}	305	403 ¹	468 ^{1,2}
162	0.0283	27	33	535	826 ¹	1020 ^{1,2}	727	977 ¹	1144 ^{1,2}	368	472 ¹	540 ^{1,2}	771	987 ¹	1131 ^{1,2}
162	0.0312	30	33	642	985 ¹	1213 ¹	887	1183 ¹	1380 ¹	454	577 ¹	659 ¹	957	1216 ¹	1389 ¹
162	0.0346	33	33	779	1186 ¹	1457 ¹	1094	1448 ¹	1683 ¹	565	713 ¹	812 ¹	1200	1515 ¹	1724 ¹
162	0.0451	43	33	1275	1907 ¹	2327 ¹	1867	2422 ¹	2790 ¹	988	1223 ¹	1380 ¹	2132	2640 ¹	2978 ¹
162	0.0566	54	50	2875	4229 ¹	5128 ¹	4324	5515 ¹	6306 ¹	2377	2898 ¹	3244 ¹	5141	6267 ¹	7016 ¹
162	0.0713	68	50	4296	6211 ¹	7484 ¹	6630	8314 ¹	9433 ¹	3787	4548 ¹	5053 ¹	8191	9835 ¹	10928 ¹
250	0.0188	18	33	247	391 ¹	487 ^{1,2}	312	432 ¹	513 ^{1,2}	129	171 ¹	198 ^{1,2}	261	345 ¹	400 ^{1,2}
250	0.0283	27	33	534	825 ¹	1018 ^{1,2}	726	975 ¹	1141 ^{1,2}	329	421 ¹	482 ^{1,2}	688	881 ¹	1010 ^{1,2}
250	0.0312	30	33	641	983 ¹	1211 ¹	885	1181 ¹	1377 ¹	408	519 ¹	593 ¹	861	1094 ¹	1249 ¹
250	0.0346	33	33	777	1184 ¹	1454 ¹	1092	1445 ¹	1680 ¹	512	647 ¹	736 ¹	1088	1373 ¹	1562 ¹
250	0.0451	43	33	1273	1904 ¹	2323 ¹	1864	2418 ¹	2786 ¹	910	1127 ¹	1271 ¹	1964	2432 ¹	2743 ¹
250	0.0566	54	50	2871	4223 ¹	5121 ¹	4318	5507 ¹	6297 ¹	2213	2698 ¹	3020 ¹	4786	5835 ¹	6532 ¹
250	0.0713	68	50	4291	6203 ¹	7474 ¹	6621	8304 ¹	9421 ¹	3557	4271 ¹	4745 ¹	7692	9236 ¹	10263 ¹
250	0.1017	97	50	8011	11273 ¹	13440 ¹	12845	15714 ¹	17620 ¹	7342	8624 ¹	9477 ¹	15879	18652 ¹	20495 ¹
350	0.0188	18	33	246	390 ¹	486 ^{1,2}	311	432 ¹	512 ^{1,2}	109	144 ¹	167 ^{1,2}	220	291 ¹	338 ^{1,2}
350	0.0283	27	33	533	823 ¹	1016 ^{1,2}	724	974 ¹	1139 ^{1,2}	292	374 ¹	429 ^{1,2}	611	783 ¹	897 ^{1,2}
350	0.0312	30	33	640	981 ¹	1208 ¹	884	1179 ¹	1375 ¹	366	465 ¹	531 ¹	771	981 ¹	1120 ¹
350	0.0346	33	33	776	1182 ¹	1452 ¹	1090	1443 ¹	1677 ¹	463	585 ¹	665 ¹	984	1241 ¹	1412 ¹
350	0.0451	43	33	1272	1901 ¹	2320 ¹	1861	2414 ¹	2782 ¹	838	1037 ¹	1170 ¹	1808	2239 ¹	2525 ¹
350	0.0566	54	50	2867	4217 ¹	5114 ¹	4313	5500 ¹	6289 ¹	2062	2514 ¹	2814 ¹	4459	5436 ¹	6085 ¹
350	0.0713	68	50	4286	6196 ¹	7466 ¹	6614	8294 ¹	9410 ¹	3346	4018 ¹	4464 ¹	7236	8689 ¹	9654 ¹
350	0.1017	97	50	8003	11261 ¹	13427 ¹	12832	15698 ¹	17603 ¹	6986	8206 ¹	9017 ¹	15109	17747 ¹	19501 ¹
362	0.0188	18	33	246	390 ¹	486 ^{1,2}	311	431 ¹	511 ^{1,2}	107	141 ¹	164 ^{1,2}	215	285 ¹	330 ^{1,2}
362	0.0283	27	33	533	823 ¹	1015 ^{1,2}	724	973 ¹	1139 ^{1,2}	288	369 ¹	422 ^{1,2}	603	772 ¹	884 ^{1,2}
362	0.0312	30	33	640	981 ¹	1208 ¹	883	1179 ¹	1375 ¹	361	459 ¹	524 ¹	761	968 ¹	1105 ¹
362	0.0346	33	33	776	1182 ¹	1452 ¹	1090	1442 ¹	1677 ¹	458	578 ¹	657 ¹	972	1226 ¹	1395 ¹
362	0.0451	43	33	1271	1901 ¹	2319 ¹	1861	2414 ¹	2781 ¹	830	1027 ¹	1159 ¹	1790	2217 ¹	2501 ¹
362	0.0566	54	50	2867	4217 ¹	5113 ¹	4312	5499 ¹	6288 ¹	2045	2493 ¹	2790 ¹	4422	5391 ¹	6035 ¹
362	0.0713	68	50	4285	6195 ¹	7465 ¹	6613	8293 ¹	9409 ¹	3322	3989 ¹	4432 ¹	7185	8627 ¹	9585 ¹
362	0.1017	97	50	8002	11260 ¹	13425 ¹	12831	15697 ¹	17601 ¹	6946	8159 ¹	8965 ¹	15022	17646 ¹	19389 ¹
400	0.0283	27	33	533	822	1015 ^{1,2}	724	973	1138 ^{1,2}	276	353	405 ^{1,2}	577	739	847 ^{1,2}
400	0.0312	30	33	639	981	1208 ¹	883	1178	1374 ¹	347	441	504 ¹	732	931	1063 ¹
400	0.0346	33	33	776	1181	1451 ¹	1089	1442	1676 ¹	442	557	634 ¹	937	1183	1346 ¹
400	0.0451	43	33	1271	1900	2318 ¹	1860	2413	2780 ¹	806	998	1126 ¹	1739	2154	2429 ¹
400	0.0566	54	50	2866	4215	5111 ¹	4310	5497	6285 ¹	1995	2432	2723 ¹	4315	5260	5889 ¹
400	0.0713	68	50	4284	6193	7462 ¹	6610	8290	9406 ¹	3253	3906	4340 ¹	7036	8448	9387 ¹
400	0.1017	97	50	8000	11256 ¹	13421 ¹	12827	15691 ¹	17595 ¹	6830	8023 ¹	8816 ¹	14772	17352 ¹	19067 ¹
550	0.0283	27	33	531	821	1013 ^{1,2}	722	971	1136 ^{1,2}	233	298	341 ^{1,2}	487	624	715 ^{1,2}
550	0.0312	30	33	638	979	1205 ¹	881	1176	1371 ¹	298	378	432 ¹	627	798	911 ¹
550	0.0346	33	33	774	1179	1448 ¹	1087	1439	1673 ¹	384	484	551 ¹	815	1028	1170 ¹
550	0.0451	43	33	1269	1897	2314 ¹	1857	2409	2775 ¹	721	893	1007 ¹	1556	1927	2174 ¹
550	0.0566	54	50	2861	4208	5104 ¹	4304	5488	6276 ¹	1818	2217	2482 ¹	3933	4794	5367 ¹
550	0.0713	68	50	4278	6185	7452 ¹	6601	8278	9393 ¹	3008	3612	4013 ¹	6506	7812	8680 ¹
550	0.1017	97	50	7990	11243	13405 ¹	12812	15673	17575 ¹	6421	7543	8288 ¹	13888	16313	17925 ¹
600	0.0312	30	33	638	978	1204 ^{1,2}	881	1175	1370 ^{1,2}	283	359	410 ^{1,2}	596	757	865 ^{1,2}
600	0.0346	33	33	774	1178	1447 ¹	1086	1438	1672 ¹	366	462	526 ¹	778	982	1117 ¹
600	0.0451	43	33	1268	1896	2313 ¹	1856	2408	2774 ¹	696	862	972 ¹	1501	1859	2097 ¹
600	0.0566	54	50	2860	4207	5101 ¹	4302	5486	6273 ¹	1765	2152	2409 ¹	3818	4654	5210 ¹
600	0.0713	68	50	4276	6182	7449 ¹	6599	8275	9389 ¹	2935	3524	3915 ¹	6347	7621	8467 ¹
600	0.1017	97	50	7988	11240	13401 ¹	12808	15668	17569 ¹	6299	7399	8130 ¹	13623	16002	17583 ¹
600	0.1242	118	50	11392	15784	18703 ¹	18650	22513	25081 ¹	9616	11165	12195 ¹	20797	24147	26374 ¹
800	0.0451	43	33	1266	1892	2309	1853	2403	2769	603	747	843	1302	1613	1819
800	0.0566	54	50	2855	4200	5093	4295	5477	6263	1573	1918	2147	3402	4148	4643
800	0.0713	68	50	4270	6173	7438	6589	8263	9375	2669	3205	3561	5772	6931	7701
800	0.1017	97	50	7978	11226	13384	12792	15649	17547	5859	6882	7562	12671	14883	16354
800	0.1242	118	50	11379	15766	18682	18629	22488	25052	9028	10482	11449	19524	22670	24760
1000	0.0566	54	50	2851	4194	5086	4288	5469	6254	1405	1713	1917	3038	3704	4146
1000	0.0713	68	50	4264	6165	7428	6580	8252	9363	2437	2926	3251	5270	6327	7030
1000	0.1017	97	50	7969	11213	13369	12778	15631	17528	5474	6430	7065	11839	13906	15280
1000	0.1242	118	50	11368	15751	18663	18610	22466	25027	8515	9887	10798	18416	21383	23354
1200	0.0713	68	50	4259	6158	7419	6573	8243	9352	2227	2674	2971	4817	5784	6426
1200	0.1017	97	50	7961	11202	13356	12765	15616	17511	5128	6024	6619	11091	13028	14315
1200	0.1242	118	50	11358	15737	18647	18594	22446	25005	8055	9352	10215	17420	20227	22091
1400	0.0713	68	50	4255	6151	7411	6566	8234	9342	2035	2444	2715	4401	5285	5872
1400	0.1017	97	50	7954	11192	13344	12754	15602	17495	4811	5651	6210	10405	12223	13430
1400	0.1242	118	50	11349	15724	18631	18579	22427	24985	7633	8863	9680	16509	19168	20936
1600	0.1017	97	50	7947	11183	13333	12743	15589	17480						

Table Notes

1. Values are for simple span conditions.
2. For unbraced sections, allowable moment is based on the AISI S100 Section C3.1.2 with unbraced length assumed to be the listed span. For mid-span braced sections, allowable moment is based on AISI S100 Section C3.1.2 with unbraced length assumed to be half of the listed span.
3. Web crippling check is based on 1" of bearing at end supports.
4. For spans listed with "e", web stiffeners are required at end reactions.
5. Web crippling and shear capacity have **not** been reduced for punchouts. If web punchouts occur near supports, members must be checked for reduced shear and web crippling in accordance with the AISI S100.
6. Listed loads are total loads and have not been modified for strength or deflection calculations.
7. Allowable spans apply to pressures acting upwards or downwards on the surface of the ceiling/soffit.
8. See page 5 for additional table notes.



*General Note:
All connections should be designed by a
licensed design professional.*



Interior Allowable Ceiling/Soffit Spans (S-Sections) - L/240

Section	F _y (ksi)	4 psf						6 psf						13 psf *					
		Lateral Support of Compression Flange						Lateral Support of Compression Flange						Lateral Support of Compression Flange					
		Unsupported			Midspan			Unsupported			Midspan			Unsupported			Midspan		
		Joist Spacing (in) on center			Joist Spacing (in) on center			Joist Spacing (in) on center			Joist Spacing (in) on center			Joist Spacing (in) on center			Joist Spacing (in) on center		
		12	16	24	12	16	24	12	16	24	12	16	24	12	16	24	12	16	24
162S125-18	33	7' 3"	6' 7"	5' 10"	8' 6"	7' 8"	6' 7"	6' 5"	5' 10"	5' 1"	7' 4"	6' 7"	5' 9"	5' 0"	4' 5"	3' 9"	5' 7"	4' 10"	3' 11"
162S125-27	33	8' 7"	7' 11"	7' 1"	9' 8"	8' 10"	7' 8"	7' 8"	7' 1"	6' 3"	8' 6"	7' 8"	6' 8"	6' 1"	5' 6"	4' 9"	6' 6"	5' 11"	5' 2"
162S125-30	33	9' 0"	8' 3"	7' 4"	10' 0"	9' 1"	7' 11"	8' 0"	7' 4"	6' 7"	8' 9"	7' 11"	6' 11"	6' 5"	5' 10"	5' 0"	6' 9"	6' 1"	5' 4"
162S125-33	33	9' 6"	8' 8"	7' 8"	10' 4"	9' 5"	8' 2"	8' 4"	7' 8"	6' 10"	9' 0"	8' 2"	7' 2"	6' 8"	6' 1"	5' 4"	7' 0"	6' 4"	5' 6"
162S137-27	33	9' 11"	9' 2"	8' 0"	10' 1"	9' 2"	8' 0"	8' 10"	8' 0"	7' 0"	8' 10"	8' 0"	7' 0"	6' 10"	6' 2"	5' 5"	6' 10"	6' 2"	5' 5"
162S137-30	33	10' 4"	9' 6"	8' 3"	10' 5"	9' 6"	8' 3"	9' 1"	8' 3"	7' 3"	9' 1"	8' 3"	7' 3"	7' 0"	6' 5"	5' 7"	7' 0"	6' 5"	5' 7"
162S137-33	33	10' 9"	9' 9"	8' 7"	10' 9"	9' 9"	8' 7"	9' 5"	8' 7"	7' 6"	9' 5"	8' 7"	7' 6"	7' 3"	6' 7"	5' 9"	7' 3"	6' 7"	5' 9"
250S125-18	33	8' 5"	7' 9"	6' 11"	11' 7"	10' 6"	9' 1"	7' 6"	6' 11"	6' 2"	10' 1"	9' 1"	7' 8"	6' 0"	5' 6"	4' 10"e	7' 5"	6' 3"e	5' 2"e
250S125-27	33	9' 8"	8' 11"	8' 0"	13' 5"	12' 2"	10' 7"	8' 8"	8' 0"	7' 2"	11' 8"	10' 7"	9' 3"	7' 0"	6' 6"	5' 9"	9' 0"	8' 2"	6' 10"
250S125-30	33	10' 1"	9' 3"	8' 3"	13' 10"	12' 7"	10' 11"	9' 0"	8' 3"	7' 5"	12' 1"	10' 11"	9' 7"	7' 3"	6' 8"	6' 0"	9' 4"	8' 5"	7' 3"
250S125-33	33	10' 6"	9' 8"	8' 7"	14' 3"	13' 0"	11' 4"	9' 4"	8' 7"	7' 8"	12' 6"	11' 4"	9' 11"	7' 6"	6' 11"	6' 2"	9' 7"	8' 9"	7' 7"
250S125-43	33	11' 9"	10' 10"	9' 7"	15' 6"	14' 1"	12' 4"	10' 5"	9' 7"	8' 6"	13' 7"	12' 4"	10' 9"	8' 4"	7' 8"	6' 10"	10' 6"	9' 6"	8' 4"
250S137-27	33	11' 0"	10' 2"	9' 2"	14' 0"	12' 9"	11' 1"	9' 10"	9' 2"	8' 2"	12' 3"	11' 1"	9' 9"	8' 0"	7' 5"	6' 8"	9' 6"	8' 7"	7' 6"
250S137-30	33	11' 5"	10' 6"	9' 5"	14' 5"	13' 2"	11' 6"	10' 2"	9' 5"	8' 5"	12' 8"	11' 6"	10' 0"	8' 3"	7' 8"	6' 10"	9' 9"	8' 10"	7' 9"
250S137-33	33	11' 10"	10' 11"	9' 9"	14' 11"	13' 7"	11' 10"	10' 7"	9' 9"	8' 9"	13' 1"	11' 10"	10' 4"	8' 7"	7' 11"	7' 1"	10' 1"	9' 2"	8' 0"
250S137-43	33	13' 3"	12' 2"	10' 10"	16' 3"	14' 9"	12' 11"	11' 9"	10' 10"	9' 7"	14' 2"	12' 11"	11' 3"	9' 5"	8' 8"	7' 9"	10' 11"	9' 11"	8' 8"
250S162-33	33	13' 6"	12' 5"	11' 2"	15' 8"	14' 3"	12' 5"	12' 1"	11' 2"	10' 0"	13' 8"	12' 5"	10' 10"	9' 10"	9' 1"	8' 1"	10' 7"	9' 7"	8' 5"
250S162-43	33	15' 0"	13' 9"	12' 3"	17' 1"	15' 6"	13' 6"	13' 4"	12' 3"	10' 11"	14' 11"	13' 6"	11' 10"	10' 9"	9' 11"	8' 10"	11' 6"	10' 5"	9' 2"
350S125-18	33	9' 2"	8' 6"	7' 6"	12' 6"	11' 5"	9' 11"	8' 3"	7' 6"	6' 8"	11' 0"	9' 11"	8' 5"e	6' 6"	5' 11"e	5' 3"e	8' 2"e	7' 2"e	6' 0"e
350S125-27	33	10' 7"	9' 9"	8' 9"	14' 11"	13' 9"	12' 3"	9' 5"	8' 9"	7' 9"	13' 4"	12' 3"	10' 7"	7' 7"	7' 1"	6' 4"	10' 4"	9' 3"	7' 9"
350S125-30	33	10' 11"	10' 1"	9' 0"	15' 5"	14' 2"	12' 9"	9' 9"	9' 0"	8' 1"	13' 9"	12' 9"	11' 2"	7' 11"	7' 3"	6' 6"	10' 11"	9' 9"	8' 3"
350S125-33	33	11' 4"	10' 5"	9' 4"	16' 0"	14' 9"	13' 2"	10' 1"	9' 4"	8' 4"	14' 3"	13' 2"	11' 9"	8' 2"	7' 7"	6' 9"	11' 5"	10' 4"	8' 10"
350S125-43	33	12' 7"	11' 7"	10' 4"	17' 7"	16' 3"	14' 6"	11' 2"	10' 4"	9' 2"	15' 8"	14' 6"	12' 11"	9' 0"	8' 3"	7' 5"	12' 7"	11' 6"	10' 1"
350S137-27	33	11' 11"	11' 0"	9' 11"	17' 0"	15' 9"	14' 1"	10' 8"	9' 11"	8' 11"	15' 3"	14' 1"	12' 4"	8' 8"	8' 1"	7' 3"	11' 11"	10' 7"	8' 11"e
350S137-30	33	12' 4"	11' 5"	10' 3"	17' 7"	16' 3"	14' 7"	11' 0"	10' 3"	9' 2"	15' 9"	14' 7"	12' 10"	9' 0"	8' 4"	7' 6"	12' 6"	11' 3"	9' 6"
350S137-33	33	12' 9"	11' 10"	10' 7"	18' 2"	16' 9"	15' 1"	11' 5"	10' 7"	9' 6"	16' 3"	15' 1"	13' 4"	9' 3"	8' 7"	7' 8"	13' 0"	11' 9"	10' 0"
350S137-43	33	14' 2"	13' 0"	11' 7"	19' 10"	18' 4"	16' 5"	12' 7"	11' 7"	10' 4"	17' 9"	16' 5"	14' 7"	10' 2"	9' 4"	8' 5"	14' 2"	12' 11"	11' 3"
350S162-33	33	14' 6"	13' 5"	12' 1"	20' 3"	18' 5"	16' 1"	13' 0"	12' 1"	10' 10"	17' 9"	16' 1"	14' 1"	10' 7"	9' 10"	8' 10"	13' 8"	12' 5"	10' 10"
350S162-43	33	16' 0"	14' 9"	13' 2"	22' 1"	20' 0"	17' 6"	14' 3"	13' 2"	11' 9"	19' 3"	17' 6"	15' 3"	11' 6"	10' 8"	9' 7"	14' 11"	13' 6"	11' 10"
362S125-18	33	9' 3"	8' 7"	7' 7"	12' 8"	11' 7"	10' 0"	8' 4"	7' 7"	6' 9"	11' 1"	10' 0"	8' 6"e	6' 7"	6' 0"e	5' 4"e	8' 3"e	7' 4"e	6' 1"e
362S125-27	33	10' 8"	9' 10"	8' 10"	15' 0"	13' 11"	12' 4"	9' 6"	8' 10"	7' 10"	13' 5"	12' 4"	10' 9"	7' 8"	7' 1"	6' 5"	10' 5"	9' 4"	7' 11"
362S125-30	33	11' 0"	10' 2"	9' 1"	15' 6"	14' 4"	12' 10"	9' 10"	9' 1"	8' 2"	13' 11"	12' 10"	11' 4"	8' 0"	7' 4"	6' 7"	11' 0"	9' 11"	8' 5"
362S125-33	33	11' 5"	10' 7"	9' 5"	16' 2"	14' 10"	13' 3"	10' 3"	9' 5"	8' 5"	14' 5"	13' 3"	11' 10"	8' 3"	7' 8"	6' 10"	11' 7"	10' 6"	9' 0"
362S125-43	33	12' 8"	11' 8"	10' 5"	17' 9"	16' 5"	14' 8"	11' 3"	10' 5"	9' 3"	15' 10"	14' 8"	13' 0"	9' 1"	8' 4"	7' 6"	12' 9"	11' 8"	10' 2"
362S137-27	33	12' 0"	11' 2"	10' 0"	17' 2"	15' 11"	14' 3"	10' 10"	10' 0"	9' 0"	15' 5"	14' 3"	12' 6"	8' 9"	8' 2"	7' 4"	12' 1"	10' 9"	9' 1"e
362S137-30	33	12' 5"	11' 6"	10' 4"	17' 8"	16' 5"	14' 8"	11' 2"	10' 4"	9' 3"	15' 10"	14' 8"	13' 0"	9' 1"	8' 5"	7' 6"	12' 8"	11' 5"	9' 8"
362S137-33	33	12' 11"	11' 11"	10' 8"	18' 4"	16' 11"	15' 2"	11' 6"	10' 8"	9' 7"	16' 5"	15' 2"	13' 6"	9' 4"	8' 8"	7' 9"	13' 2"	11' 11"	10' 2"
362S137-43	33	14' 3"	13' 2"	11' 8"	20' 0"	18' 6"	16' 7"	12' 8"	11' 8"	10' 5"	17' 11"	16' 7"	14' 9"	10' 3"	9' 5"	8' 6"	14' 5"	13' 2"	11' 5"
362S162-33	33	14' 8"	13' 7"	12' 2"	20' 10"	18' 11"	16' 6"	13' 2"	12' 2"	10' 11"	18' 2"	16' 6"	14' 5"	10' 8"	9' 11"	8' 11"	14' 1"	12' 9"	11' 2"
362S162-43	33	16' 2"	14' 11"	13' 4"	22' 8"	20' 7"	18' 0"	14' 5"	13' 4"	11' 11"	19' 10"	18' 0"	15' 9"	11' 8"	10' 9"	9' 8"	15' 4"	13' 11"	12' 2"
400S125-18	33	9' 6"e	8' 9"e	7' 10"e	13' 0"e	11' 11"e	10' 5"e	8' 6"e	7' 10"e	6' 11"e	11' 6"e	10' 5"e	8' 11"e	6' 9"e	6' 2"e	5' 6"e	8' 7"e	7' 8"e	6' 5"e
400S125-27	33	10' 11"	10' 1"	9' 1"	15' 5"	14' 3"	12' 9"	9' 9"	9' 1"	8' 1"	13' 10"	12' 9"	11' 2"	7' 11"	7' 4"	6' 7"	10' 10"	9' 9"	8' 3"
400S125-30	33	11' 4"	10' 5"	9' 4"	16' 0"	14' 9"	13' 2"	10' 1"	9' 4"	8' 4"	14' 3"	13' 2"	11' 9"	8' 2"	7' 7"	6' 9"	11' 5"	10' 4"	8' 9"
400S125-33	33	11' 9"	10' 10"	9' 8"	16' 7"	15' 3"	13' 8"	10' 6"	9' 8"	8' 8"	14' 9"	13' 8"	12' 2"	8' 6"	7' 10"	7' 0"	11' 11"	10' 11"	9' 4"
400S125-43	33	13' 0"	12' 0"	10' 8"	18' 3"	16' 10"	15' 0"	11' 7"	10' 8"	9' 6"	16' 3"	15' 0"	13' 5"	9' 4"	8' 7"	7' 8"	13' 1"	12' 0"	10' 7"
400S137-27	33	12' 4"	11' 5"	10' 3"	17' 7"	16' 4"	14' 8"	11' 1"	10' 3"	9' 2"	15' 10"	14' 8"	13' 0"	9' 0"	8' 4"	7' 6"	12' 7"	11' 3"	9' 6"e
400S137-30	33	12' 9"	11' 10"	10' 7"	18' 2"	16' 10"	15' 1"	11' 5"	10' 7"	9' 6"	16' 4"	15' 1"	13' 5"	9' 3"	8' 7"	7' 9"	13' 1"	11' 10"	10' 1"
400S137-33	33	13' 3"	12' 3"	10' 11"	18' 9"	17' 4"	15' 7"	11' 10"	10' 11"	9' 10"	16' 10"	15' 7"	13' 11"	9' 7"	8' 11"	8' 0"	13' 7"	12' 4"	10' 8"
400S137-43	33	14' 7"	13' 6"	12' 0"	20' 7"	19' 0"	17' 0"	13' 0"	12' 0"	10' 9"	18' 4"	17' 0"	15' 2"	10' 6"	9' 8"	8' 8"	14' 10"	13' 7"	11' 10"
400S162-33	33	15' 0"	13' 11"	12' 6"	21' 5"	19' 10"	17' 9"	13' 6"	12' 6"	11' 2"	19' 3"	17' 9"	15' 7"	10' 11"	10' 2"	9' 1"	15' 2"	13' 9"	11' 9"
400S162-43	33	16' 7"	15' 3"	13' 8"	23' 4"	21' 7"	19' 4"	14' 9"	13' 8"	12' 2"	20' 11"	19' 4"	16' 11"	11' 11"	11' 0"	9' 11"	16' 6"	15' 0"	13' 1"
600S125-27	33	12' 5"e	11' 6"e	10' 4"e	17' 11"e	16' 6"e	14' 9"e	11' 2"e	10' 4"e	9' 4"e	16' 0"e	14' 9"e	13' 2"e	9' 2"e	8' 6"e	7' 7"e	12' 11"e	11' 10"e	10' 4"e
600S125-30	33	12' 9"	11' 10"	10' 8"	18' 5"	17' 1"	15' 3"	11' 6"	10' 8"	9' 7"	16' 7"	15' 3"	13' 8"	9' 5"	8' 9"	7' 10"	13' 4"	12' 4"	10' 11"e
600S125-33	33	13' 2"	12' 3"	11' 0"	18' 11"	17' 7"	15' 10"	11' 10"	11' 0"	9' 10"	17' 0"	15' 10"	14' 2"	9' 8"	8' 11"	8' 1"	13' 10"	12' 9"	11' 5"
600S125-43	33	14' 6"	13' 4"	11' 11"	20' 6"	19' 0"	17' 0"	12' 11"	11' 11"	10' 8"	18' 4"	17' 0"	15' 3"	10' 5"	9' 8"	8' 8"	15' 0"	13' 11"	12' 6"
600S137-27	33	14' 0"e	13' 0"e	11' 9"e	20' 2"e	18' 8"e	16' 9"e	12' 7"e	11' 9"e	10' 6"e	18' 1"e	16' 9"e	15' 0"e	10' 4"e	9' 7"e	8' 7"e	14' 8"e	13' 7"e	11' 10"e
600S137-30	33	14' 5"	13' 4"	12' 0"	20' 10"	19' 3"	17' 3"	13' 0"	12' 0"	10' 10"	18' 8"	17' 3"	15' 6"	10' 7"	9' 10"	8' 10"	15' 2"	14' 0"	12' 5"e
600S137-33	33																		



Interior Allowable Ceiling/Soffit Spans (S-Sections) - L/360

Table with columns for Section, Fy (ksi), 4 psf (Unsupported, Midspan), 6 psf (Unsupported, Midspan), and 13 psf* (Unsupported, Midspan). Rows list various S-sections and their allowable spans.

*Loads that exceed 10 psf limit require an approved CP60 coating.

"e" web stiffeners required at ends.

See Table Notes and figures on page 61.

Exterior Allowable Ceiling/Soffit Spans (S-Sections) - L/240

Section	Fy (ksi)	20 psf						25 psf						30 psf							
		Lateral Support of Compression Flange						Lateral Support of Compression Flange						Lateral Support of Compression Flange							
		Unsupported			Midspan			Unsupported			Midspan			Unsupported			Midspan				
		Joist Spacing (in) on center		12	16	24	Joist Spacing (in) on center		12	16	24	Joist Spacing (in) on center		12	16	24	Joist Spacing (in) on center		12	16	24
250S137-33	33	7' 7"	7' 0"	6' 2"	8' 9"	7' 11"	6' 11"	7' 2"	6' 7"	5' 9"	8' 1"	7' 4"	6' 5"	6' 9"	6' 2"	5' 4"	7' 8"	6' 11"	5' 10"	e	
250S137-43	33	8' 4"	7' 8"	6' 10"	9' 6"	8' 7"	7' 6"	7' 10"	7' 2"	6' 4"	8' 10"	8' 0"	7' 0"	7' 5"	6' 10"	5' 11"	8' 3"	7' 6"	6' 7"		
250S137-54	50	9' 1"	8' 4"	7' 5"	10' 2"	9' 3"	8' 1"	8' 6"	7' 10"	7' 0"	9' 5"	8' 7"	7' 6"	8' 1"	7' 5"	6' 8"	8' 10"	8' 1"	7' 0"		
250S137-68	50	10' 1"	9' 2"	8' 2"	10' 10"	9' 10"	8' 7"	9' 5"	8' 7"	7' 8"	10' 0"	9' 1"	8' 0"	8' 11"	8' 2"	7' 3"	9' 5"	8' 7"	7' 6"		
250S162-33	33	8' 9"	8' 0"	7' 0"	9' 2"	8' 4"	7' 3"	8' 2"	7' 5"	6' 5"	8' 6"	7' 9"	6' 9"	7' 3"	7' 0"	5' 11"	8' 0"	7' 3"	6' 3"	e	
250S162-43	33	9' 6"	8' 9"	7' 8"	10' 0"	9' 1"	7' 11"	8' 11"	8' 2"	7' 1"	9' 3"	8' 5"	7' 4"	8' 5"	7' 8"	6' 7"	8' 8"	7' 11"	6' 11"		
250S162-54	50	10' 4"	9' 6"	8' 6"	10' 8"	9' 8"	8' 6"	9' 8"	8' 11"	7' 10"	9' 11"	9' 0"	7' 10"	9' 2"	8' 6"	7' 5"	9' 4"	8' 6"	7' 5"		
250S162-68	50	11' 4"	10' 4"	9' 0"	11' 5"	10' 4"	9' 0"	10' 7"	9' 7"	8' 5"	10' 7"	9' 7"	8' 5"	9' 11"	9' 0"	7' 11"	9' 11"	9' 0"	7' 11"		
250S200-33	33	9' 8"	8' 10"	7' 7"	9' 8"	8' 10"	7' 8"	9' 0"	8' 2"	6' 11"	e	9' 0"	8' 2"	7' 2"	e	8' 6"	7' 7"	6' 5"	e		
250S200-43	33	10' 7"	9' 7"	8' 4"	10' 7"	9' 7"	8' 4"	9' 10"	8' 11"	7' 9"	9' 10"	8' 11"	7' 9"	9' 3"	8' 4"	7' 4"	9' 3"	8' 4"	7' 4"		
250S200-54	50	11' 4"	10' 3"	9' 0"	11' 4"	10' 3"	9' 0"	10' 6"	9' 6"	8' 4"	10' 6"	9' 6"	8' 4"	9' 10"	9' 0"	7' 10"	9' 10"	9' 0"	7' 10"		
250S200-68	50	12' 1"	11' 0"	9' 7"	12' 1"	11' 0"	9' 7"	11' 3"	10' 2"	8' 11"	11' 3"	10' 2"	8' 11"	10' 7"	9' 7"	8' 4"	10' 7"	9' 7"	8' 4"		
362S137-33	33	8' 4"	7' 9"	6' 11"	11' 4"	10' 1"	8' 6"	7' 10"	7' 3"	6' 6"	10' 4"	9' 2"	7' 8"	7' 6"	6' 11"	6' 2"	9' 7"	8' 6"	e	7' 1"	e
362S137-43	33	9' 1"	8' 5"	7' 6"	12' 6"	11' 4"	9' 8"	8' 7"	7' 11"	7' 1"	11' 7"	10' 5"	8' 10"	8' 2"	7' 6"	6' 9"	10' 10"	9' 8"	8' 2"		
362S137-54	50	9' 10"	9' 1"	8' 1"	13' 6"	12' 4"	10' 9"	9' 3"	8' 6"	7' 7"	12' 7"	11' 5"	10' 0"	8' 9"	8' 1"	7' 3"	11' 10"	10' 9"	9' 5"		
362S137-68	50	10' 9"	9' 11"	8' 10"	14' 6"	13' 2"	11' 6"	10' 1"	9' 3"	8' 3"	13' 5"	12' 2"	10' 8"	9' 7"	8' 10"	7' 10"	12' 8"	11' 6"	10' 0"		
362S162-33	33	9' 6"	8' 10"	7' 10"	12' 2"	11' 1"	9' 3"	9' 0"	8' 4"	7' 4"	11' 4"	10' 1"	8' 4"	8' 7"	7' 11"	6' 11"	10' 6"	9' 3"	7' 8"	e	
362S162-43	33	10' 4"	9' 7"	8' 7"	13' 3"	12' 0"	10' 6"	9' 9"	9' 0"	8' 0"	12' 4"	11' 2"	9' 8"	9' 3"	8' 7"	7' 7"	11' 7"	10' 6"	8' 11"		
362S162-54	50	11' 2"	10' 4"	9' 3"	14' 2"	12' 11"	11' 3"	10' 6"	9' 8"	8' 8"	13' 2"	12' 0"	10' 6"	10' 0"	9' 3"	8' 3"	12' 5"	11' 3"	9' 10"		
362S162-68	50	12' 2"	11' 3"	10' 0"	15' 2"	13' 10"	12' 1"	11' 5"	10' 6"	9' 5"	14' 1"	12' 10"	11' 2"	10' 10"	10' 0"	8' 11"	13' 3"	12' 1"	10' 6"		
362S200-33	33	11' 0"	10' 1"	8' 10"	e	12' 10"	11' 8"	9' 10"	10' 4"	9' 5"	8' 1"	e	11' 11"	10' 9"	e	8' 9"	e	11' 3"	e	9' 10"	e
362S200-43	33	12' 0"	11' 2"	9' 11"	14' 0"	12' 9"	11' 1"	11' 4"	10' 6"	9' 2"	13' 0"	11' 10"	10' 4"	10' 9"	9' 11"	8' 8"	12' 3"	11' 1"	9' 8"		
362S200-54	50	12' 11"	11' 11"	10' 9"	15' 0"	13' 8"	11' 11"	12' 2"	11' 3"	10' 1"	13' 11"	12' 8"	11' 1"	11' 7"	10' 9"	9' 7"	13' 1"	11' 11"	10' 5"		
362S200-68	50	14' 1"	12' 11"	11' 7"	16' 1"	14' 7"	12' 9"	13' 2"	12' 2"	10' 10"	14' 11"	13' 7"	11' 10"	12' 6"	11' 7"	10' 4"	14' 0"	12' 9"	11' 2"		
400S137-33	33	8' 7"	7' 11"	7' 1"	11' 9"	10' 6"	8' 11"	8' 1"	7' 6"	6' 8"	10' 10"	9' 7"	8' 1"	7' 8"	7' 1"	6' 4"	10' 0"	8' 11"	e	7' 5"	e
400S137-43	33	9' 4"	8' 7"	7' 9"	13' 0"	11' 9"	10' 1"	8' 9"	8' 1"	7' 3"	12' 0"	10' 10"	9' 3"	8' 4"	7' 9"	6' 11"	11' 3"	10' 1"	8' 6"		
400S137-54	50	10' 1"	9' 4"	8' 4"	14' 3"	13' 2"	11' 7"	9' 6"	8' 9"	7' 10"	13' 5"	12' 4"	10' 9"	9' 0"	8' 4"	7' 5"	12' 9"	11' 7"	10' 2"		
400S137-68	50	11' 0"	10' 2"	9' 0"	15' 4"	14' 2"	12' 5"	10' 4"	9' 6"	8' 5"	14' 5"	13' 2"	11' 6"	9' 10"	9' 0"	8' 0"	13' 8"	12' 5"	10' 10"		
400S162-33	33	9' 9"	9' 1"	8' 1"	13' 1"	11' 7"	9' 9"	9' 2"	8' 6"	7' 7"	11' 11"	10' 7"	8' 10"	8' 9"	8' 1"	7' 2"	11' 0"	9' 9"	8' 1"	e	
400S162-43	33	10' 7"	9' 10"	8' 10"	14' 4"	13' 0"	11' 2"	10' 0"	9' 3"	8' 3"	13' 3"	12' 0"	10' 2"	9' 6"	8' 10"	7' 10"	12' 6"	11' 2"	9' 5"	e	
400S162-54	50	11' 6"	10' 7"	9' 6"	15' 4"	13' 11"	12' 2"	10' 9"	10' 0"	8' 11"	14' 3"	12' 11"	11' 3"	10' 3"	9' 6"	8' 6"	13' 5"	12' 2"	10' 7"		
400S162-68	50	12' 6"	11' 6"	10' 3"	16' 5"	14' 11"	13' 0"	11' 9"	10' 9"	9' 7"	15' 3"	13' 10"	12' 1"	11' 1"	10' 3"	9' 2"	14' 4"	13' 0"	11' 4"		
400S200-33	33	11' 4"	10' 5"	9' 2"	13' 10"	12' 5"	10' 4"	10' 8"	9' 9"	8' 5"	12' 10"	11' 3"	9' 3"	10' 1"	9' 2"	7' 10"	11' 10"	10' 4"	8' 6"	e	
400S200-43	33	12' 4"	11' 5"	10' 2"	15' 1"	13' 8"	12' 0"	11' 7"	10' 9"	9' 6"	14' 0"	12' 9"	11' 1"	11' 1"	10' 2"	9' 0"	13' 2"	12' 0"	10' 3"	e	
400S200-54	50	13' 3"	12' 3"	11' 0"	16' 2"	14' 8"	12' 10"	12' 6"	11' 6"	10' 4"	15' 0"	13' 8"	11' 11"	11' 10"	11' 0"	9' 10"	14' 2"	12' 10"	11' 3"		
400S200-68	50	14' 5"	13' 3"	11' 10"	17' 4"	15' 9"	13' 9"	13' 6"	12' 6"	11' 2"	16' 1"	14' 7"	12' 9"	12' 10"	11' 10"	10' 7"	15' 2"	13' 9"	12' 0"		
400S250-43	33	14' 0"	12' 11"	11' 4"	15' 11"	14' 5"	12' 7"	13' 2"	12' 1"	10' 5"	14' 9"	13' 5"	11' 6"	12' 6"	11' 4"	9' 9"	13' 11"	12' 7"	10' 6"	e	
400S250-54	50	15' 0"	13' 11"	12' 6"	17' 1"	15' 6"	13' 6"	14' 2"	13' 1"	11' 9"	15' 10"	14' 5"	12' 7"	13' 6"	12' 6"	11' 1"	14' 11"	13' 6"	11' 10"		
400S250-68	50	16' 3"	15' 0"	13' 5"	18' 3"	16' 7"	14' 6"	15' 4"	14' 1"	12' 8"	17' 0"	15' 5"	13' 6"	14' 7"	13' 5"	12' 0"	16' 0"	14' 6"	12' 8"		
600S137-33	33	9' 9"	9' 1"	8' 2"	13' 11"	12' 9"	11' 1"	9' 3"	8' 7"	7' 8"	13' 1"	11' 10"	10' 2"	8' 10"	8' 2"	7' 4"	12' 4"	11' 1"	9' 6"	e	
600S137-43	33	10' 6"	9' 9"	8' 9"	15' 2"	14' 0"	12' 5"	9' 11"	9' 2"	8' 3"	14' 3"	13' 2"	11' 6"	9' 5"	8' 9"	7' 11"	13' 7"	12' 5"	10' 9"	e	
600S137-54	50	11' 3"	10' 5"	9' 4"	16' 1"	14' 11"	13' 5"	10' 7"	9' 10"	8' 10"	15' 2"	14' 1"	12' 8"	10' 1"	9' 4"	8' 5"	14' 6"	13' 5"	12' 1"		
600S137-68	50	12' 2"	11' 3"	10' 0"	17' 2"	15' 11"	14' 3"	11' 5"	10' 7"	9' 5"	16' 2"	15' 0"	13' 5"	10' 10"	10' 0"	9' 0"	15' 5"	14' 3"	12' 10"		
600S162-33	33	11' 2"	10' 4"	9' 4"	16' 0"	14' 8"	12' 8"	10' 6"	9' 9"	8' 10"	14' 11"	13' 7"	11' 7"	10' 0"	9' 4"	8' 5"	14' 1"	12' 8"	10' 9"	e	
600S162-43	33	12' 0"	11' 1"	10' 0"	17' 3"	15' 11"	13' 11"	11' 4"	10' 6"	9' 5"	16' 2"	14' 10"	12' 10"	10' 9"	10' 0"	9' 0"	15' 4"	13' 11"	12' 0"	e	
600S162-54	50	12' 10"	11' 10"	10' 8"	18' 4"	17' 0"	15' 4"	12' 1"	11' 2"	10' 0"	17' 4"	16' 1"	14' 5"	11' 6"	10' 8"	9' 7"	16' 6"	15' 4"	13' 9"		
600S162-68	50	13' 10"	12' 9"	11' 5"	19' 7"	18' 2"	16' 3"	13' 0"	12' 0"	10' 9"	18' 6"	17' 1"	15' 4"	12' 4"	11' 5"	10' 3"	17' 7"	16' 3"	14' 8"		
600S200-33	33	12' 11"	12' 0"	10' 10"	17' 11"	16' 2"	13' 9"	12' 2"	11' 4"	10' 2"	16' 6"	14' 9"	12' 6"	11' 8"	10' 10"	9' 8"	15' 5"	13' 5"	10' 11"	e	
600S200-43	33	13' 10"	12' 10"	11' 7"	19' 10"	18' 1"	15' 8"	13' 1"	12' 2"	10' 11"	18' 6"	16' 9"	14' 4"	12' 6"	11' 7"	10' 5"	17' 4"	15' 8"	13' 1"	e	
600S200-54	50	14' 10"	13' 8"	12' 4"	21' 3"	19' 9"	17' 7"	13' 11"	12' 11"	11' 7"	20' 1"	18' 8"	16' 4"	13' 3"	12' 4"	11' 1"	19' 2"	17' 7"	15' 2"		
600S200-68	50	15' 11"	14' 9"	13' 2"	22' 8"	21' 0"	18' 10"	15' 0"	13' 10"	12' 5"	21' 5"	19' 10"	17' 6"	14' 3"	13' 2"	11' 10"	20' 5"	18' 10"	16' 6"		
600S250-43	33	15' 9"	14' 8"	13' 2"	21' 7"	19' 7"	16' 8"	14' 11"	13' 10"	12' 5"	20' 1"	17' 11"	15' 1"	14' 2"	13' 2"	11' 10"	18' 8"	16' 5"	13' 5"	e	
600S250-54	50	16' 10"	15' 7"	14' 0"	23' 3"	21' 1"	18' 5"	15' 10"	14' 8"	13' 3"	21' 7"	19' 7"	17' 1"	15' 1"	14' 0"	12' 7"	20' 3"	18' 5"	15' 7"		
600S250-68	50	18' 1"	16' 8"	15' 0"	24' 11"	22' 8"	19' 9"	17' 0"	15' 9"	14' 1"	23' 2"	21' 0"	18' 4"	16' 2"	15' 0"	13' 5"	21' 9"	19' 9"	17' 3"		
800S137-33	33	10' 7"	9' 10"	8' 9"	15' 0"	13' 11"	12' 4"	10' 0"	9' 3"	8' 3"	14' 1"	13' 0"	11' 5"	9' 6"	8' 9"	7' 10"	13' 5"	12' 4"	10' 8"	e	
800S137-43	33	11' 5"	10' 7"	9' 7"	16' 5"	15' 2"	13' 7"	10' 9"	10' 0"	9' 0"	15' 5"	14' 3"	12' 8"	10' 3"	9' 6"	8' 7"	14' 8"	13' 7"	12' 0"	e	
800S137-54	50	12' 2"	11' 3"	10' 2"	17' 6"	16' 3"	14' 7"	11' 6"	10' 8"	9' 7"	16' 6"	15' 4"	13' 9"	10' 11"	10' 2"	9' 1"	15' 9"	14' 7"	13' 1"		
800S137-68	50	13' 1"																			



Exterior Allowable Ceiling/Soffit Spans (S-Sections) - L/240

Section	Fy (ksi)	35 psf						40 psf						50 psf					
		Lateral Support of Compression Flange						Lateral Support of Compression Flange						Lateral Support of Compression Flange					
		Unsupported			Midspan			Unsupported			Midspan			Unsupported			Midspan		
		Joist Spacing (in) on center		Joist Spacing (in) on center	Joist Spacing (in) on center		Joist Spacing (in) on center	Joist Spacing (in) on center		Joist Spacing (in) on center	Joist Spacing (in) on center		Joist Spacing (in) on center	Joist Spacing (in) on center		Joist Spacing (in) on center	Joist Spacing (in) on center		
	12	16	24	12	16	24	12	16	24	12	16	24	12	16	24	12	16	24	
250S137-33	33	6'6"	5'11"	5'1"	7'3"	6'7"	5'5"	6'2"	5'7"	4'10"	6'11"	6'3"	5'1"	5'9"	5'2"	4'4"	6'5"	5'7"	4'6"
250S137-43	33	7'1"	6'6"	5'7"	7'10"	7'2"	6'3"	6'10"	6'2"	5'4"	7'6"	6'10"	5'10"	6'4"	5'8"	4'11"	7'0"	6'4"	5'3"
250S137-54	50	7'9"	7'1"	6'4"	8'5"	7'8"	6'8"	7'5"	6'10"	6'1"	8'1"	7'4"	6'5"	7'0"	6'5"	5'9"	7'6"	6'9"	5'11"
250S137-68	50	8'6"	7'9"	6'11"	9'0"	8'2"	7'1"	8'2"	7'6"	6'8"	8'7"	7'10"	6'10"	7'7"	7'0"	6'2"	8'0"	7'3"	6'4"
250S162-33	33	7'4"	6'7"	5'7"	7'7"	6'11"	5'10"	7'0"	6'3"	5'3"	7'3"	6'7"	5'5"	6'5"	5'8"	4'9"	6'9"	5'11"	4'10"
250S162-43	33	8'0"	7'3"	6'3"	8'3"	7'6"	6'7"	7'8"	6'11"	5'11"	7'11"	7'2"	6'3"	7'1"	6'4"	5'5"	7'4"	6'8"	5'8"
250S162-54	50	8'10"	8'0"	7'0"	8'10"	8'0"	7'0"	8'6"	7'8"	6'9"	8'6"	7'8"	6'9"	7'10"	7'2"	6'3"	7'10"	7'2"	6'3"
250S162-68	50	9'5"	8'7"	7'6"	9'5"	8'7"	7'6"	9'0"	8'3"	7'2"	9'0"	8'3"	7'2"	8'5"	7'7"	6'8"	8'5"	7'7"	6'8"
250S200-33	33	8'0"	7'1"	6'0"	8'1"	7'4"	6'1"	7'7"	6'9"	5'8"	7'8"	7'0"	5'8"	6'11"	6'1"	5'1"	7'2"	6'3"	5'1"
250S200-43	33	8'9"	7'11"	6'11"	8'9"	7'11"	6'11"	8'4"	7'7"	6'7"	8'4"	7'7"	6'8"	7'9"	7'1"	5'11"	7'9"	7'1"	6'0"
250S200-54	50	9'4"	8'6"	7'5"	9'4"	8'6"	7'5"	9'0"	8'2"	7'1"	9'0"	8'2"	7'1"	8'4"	7'7"	6'7"	8'4"	7'7"	6'7"
250S200-68	50	10'0"	9'1"	7'11"	10'0"	9'1"	7'11"	9'7"	8'9"	7'7"	9'7"	8'9"	7'7"	8'11"	8'1"	7'1"	8'11"	8'1"	7'1"
362S137-33	33	7'2"	6'8"	5'10"	9'0"	7'11"	6'7"	6'11"	6'4"	5'7"	8'6"	7'6"	6'2"	6'6"	5'11"	5'1"	7'8"	6'9"	5'6"
362S137-43	33	7'10"	7'3"	6'5"	10'2"	9'1"	7'7"	7'6"	6'11"	6'2"	9'8"	8'7"	7'2"	7'1"	6'6"	5'8"	8'10"	7'9"	6'6"
362S137-54	50	8'5"	7'9"	6'11"	11'3"	10'2"	8'10"	8'1"	7'6"	6'8"	10'9"	9'9"	8'3"	7'7"	7'1"	6'4"	10'0"	9'1"	7'5"
362S137-68	50	9'2"	8'5"	7'6"	12'0"	10'11"	9'6"	8'9"	8'1"	7'3"	11'6"	10'5"	9'1"	8'3"	7'7"	6'9"	10'8"	9'8"	8'5"
362S162-33	33	8'2"	7'6"	6'6"	9'10"	8'8"	7'1"	7'11"	7'2"	6'2"	9'3"	8'1"	6'7"	7'4"	6'8"	5'8"	8'4"	7'3"	5'11"
362S162-43	33	8'11"	8'3"	7'3"	11'0"	10'0"	8'4"	8'7"	7'11"	6'11"	10'6"	9'5"	7'10"	8'0"	7'4"	6'4"	9'8"	8'6"	7'0"
362S162-54	50	9'7"	8'10"	7'11"	11'9"	10'8"	9'4"	9'3"	8'7"	7'8"	11'3"	10'3"	8'11"	8'8"	8'0"	7'3"	10'6"	9'6"	8'0"
362S162-68	50	10'5"	9'7"	8'6"	12'7"	11'5"	10'0"	10'0"	9'3"	8'3"	12'1"	10'11"	9'7"	9'5"	8'8"	7'9"	11'2"	10'2"	8'11"
362S200-33	33	9'3"	8'4"	7'1"	10'6"	9'1"	7'5"	8'10"	7'11"	6'8"	9'10"	8'6"	6'11"	8'1"	7'3"	6'1"	8'9"	7'7"	6'3"
362S200-43	33	10'4"	9'5"	8'2"	11'7"	10'7"	8'11"	9'11"	9'0"	7'9"	11'1"	10'1"	8'4"	9'2"	8'4"	7'1"	10'4"	9'2"	7'6"
362S200-54	50	11'1"	10'4"	9'3"	12'5"	11'4"	9'11"	10'9"	9'11"	8'11"	11'11"	10'10"	9'5"	10'1"	9'4"	8'4"	11'1"	10'1"	8'9"
362S200-68	50	12'0"	11'1"	9'11"	13'4"	12'1"	10'7"	11'7"	10'8"	9'7"	12'9"	11'7"	10'1"	10'10"	10'0"	9'0"	11'10"	10'9"	9'5"
400S137-33	33	7'4"	6'10"	6'0"	9'5"	8'4"	6'11"	7'1"	6'7"	5'9"	8'11"	7'10"	6'6"	6'8"	6'1"	5'4"	8'1"	7'1"	5'10"
400S137-43	33	8'0"	7'5"	6'7"	10'8"	9'6"	8'0"	7'9"	7'2"	6'4"	10'1"	9'0"	7'7"	7'3"	6'9"	5'11"	9'3"	8'2"	6'10"
400S137-54	50	8'8"	8'0"	7'2"	12'2"	11'0"	9'6"	8'4"	7'8"	6'10"	11'7"	10'7"	8'10"	7'10"	7'3"	6'6"	10'9"	9'8"	7'11"
400S137-68	50	9'4"	8'7"	7'8"	13'0"	11'9"	10'4"	9'0"	8'4"	7'5"	12'5"	11'3"	9'10"	8'5"	7'10"	7'0"	11'6"	10'6"	9'2"
400S162-33	33	8'5"	7'9"	6'9"	10'4"	9'1"	7'6"	8'1"	7'5"	6'5"	9'9"	8'6"	7'0"	7'7"	6'11"	5'11"	8'10"	7'8"	6'3"
400S162-43	33	9'2"	8'5"	7'6"	11'9"	10'5"	8'9"	8'10"	8'2"	7'2"	11'2"	9'10"	8'3"	8'3"	7'7"	6'7"	10'2"	8'11"	7'5"
400S162-54	50	9'10"	9'1"	8'2"	12'9"	11'7"	10'1"	9'6"	8'9"	7'10"	12'2"	11'1"	9'6"	8'11"	8'3"	7'5"	11'3"	10'3"	8'6"
400S162-68	50	10'8"	9'10"	8'9"	13'7"	12'4"	10'10"	10'3"	9'5"	8'5"	13'0"	11'10"	10'4"	9'8"	8'11"	7'11"	12'1"	11'0"	9'7"
400S200-33	33	9'7"	8'8"	7'5"	11'0"	9'7"	7'10"	9'2"	8'3"	7'0"	10'4"	9'0"	7'4"	8'5"	7'6"	6'4"	9'3"	8'0"	6'7"
400S200-43	33	10'7"	9'9"	8'6"	12'6"	11'4"	9'6"	10'2"	9'4"	8'1"	12'0"	10'10"	8'10"	9'6"	8'8"	7'5"	11'1"	9'8"	7'11"
400S200-54	50	11'5"	10'6"	9'5"	13'5"	12'2"	10'8"	11'0"	10'2"	9'1"	12'10"	11'8"	10'2"	10'4"	9'7"	8'7"	11'11"	10'10"	9'3"
400S200-68	50	12'4"	11'4"	10'2"	14'5"	13'1"	11'5"	11'10"	10'11"	9'10"	13'9"	12'6"	10'11"	11'2"	10'4"	9'3"	12'9"	11'7"	10'2"
400S250-43	33	11'10"	10'9"	9'2"	13'2"	11'11"	9'8"	11'4"	10'2"	8'8"	12'7"	11'2"	9'1"	10'5"	9'4"	7'10"	11'6"	9'11"	8'1"
400S250-54	50	12'11"	12'0"	10'7"	14'2"	12'10"	11'3"	12'6"	11'6"	10'1"	13'6"	12'4"	10'9"	11'9"	10'9"	9'4"	12'7"	11'5"	10'0"
400S250-68	50	13'11"	12'11"	11'7"	15'2"	13'9"	12'0"	13'5"	12'5"	11'1"	14'6"	13'2"	11'6"	12'8"	11'8"	10'5"	13'6"	12'3"	10'8"
600S137-33	33	8'5"	7'10"	7'0"	11'8"	10'6"	8'10"	8'2"	7'7"	6'9"	11'11"	9'11"	8'5"	7'8"	7'1"	6'4"	10'2"	9'1"	7'5"
600S137-43	33	9'1"	8'5"	7'7"	12'11"	11'9"	10'1"	8'9"	8'2"	7'4"	12'5"	11'3"	9'7"	8'3"	7'8"	6'11"	11'6"	10'4"	8'9"
600S137-54	50	9'8"	9'0"	8'1"	13'11"	12'11"	11'7"	9'4"	8'8"	7'9"	13'5"	12'6"	11'2"	8'10"	8'2"	7'4"	12'8"	11'9"	10'4"
600S137-68	50	10'5"	9'7"	8'7"	14'9"	13'8"	12'4"	10'0"	9'3"	8'4"	14'3"	13'3"	11'10"	9'5"	8'9"	7'10"	13'5"	12'6"	11'2"
600S162-33	33	9'8"	9'0"	8'1"	13'4"	11'11"	10'1"	9'4"	8'8"	7'10"	12'7"	10'11"	8'11"	8'10"	8'2"	7'4"	11'3"	9'9"	7'11"
600S162-43	33	10'4"	9'7"	8'8"	14'7"	13'2"	11'3"	10'0"	9'3"	8'4"	13'11"	12'7"	10'8"	9'5"	8'9"	7'11"	12'10"	11'6"	9'9"
600S162-54	50	11'0"	10'3"	9'2"	15'10"	14'9"	13'2"	10'8"	9'10"	8'10"	15'4"	14'3"	12'8"	10'0"	9'4"	8'4"	14'5"	13'4"	11'5"
600S162-68	50	11'10"	10'11"	9'10"	16'10"	15'8"	14'1"	11'5"	10'7"	9'5"	16'3"	15'1"	13'6"	10'9"	9'11"	8'11"	15'4"	14'3"	12'8"
600S200-33	33	11'2"	10'4"	9'2"	14'6"	12'10"	10'1"	10'10"	10'0"	8'10"	13'5"	11'7"	9'6"	10'2"	9'4"	8'2"	12'0"	10'4"	8'6"
600S200-43	33	12'0"	11'2"	10'0"	16'5"	14'8"	12'1"	11'7"	10'9"	9'8"	15'8"	13'10"	11'4"	10'11"	10'2"	9'0"	14'4"	12'5"	10'2"
600S200-54	50	12'9"	11'10"	10'8"	18'5"	16'8"	14'0"	12'4"	11'5"	10'4"	17'7"	16'0"	13'1"	11'7"	10'9"	9'9"	16'4"	14'4"	11'9"
600S200-68	50	13'8"	12'8"	11'4"	19'7"	17'11"	15'8"	13'2"	12'2"	10'11"	18'10"	17'2"	15'0"	12'5"	11'6"	10'4"	17'6"	15'11"	13'11"
600S250-43	33	13'8"	12'8"	11'3"	17'7"	15'7"	12'5"	13'2"	12'3"	10'9"	16'5"	14'3"	11'7"	12'5"	11'5"	9'11"	14'8"	12'9"	10'5"
600S250-54	50	14'6"	13'6"	12'1"	19'3"	17'6"	14'5"	14'0"	13'0"	11'9"	18'5"	16'7"	13'6"	13'3"	12'3"	11'0"	17'1"	14'10"	12'1"
600S250-68	50	15'6"	14'4"	12'11"	20'8"	18'10"	16'5"	15'0"	13'10"	12'6"	19'9"	18'0"	15'8"	14'1"	13'1"	11'9"	18'4"	16'8"	14'7"
800S137-33	33	9'1"	8'5"	7'7"	12'10"	11'8"	10'1"	8'9"	8'1"	7'3"	12'4"	11'2"	9'6"	8'3"	7'8"	6'10"	11'5"	10'3"	8'8"
800S137-43	33	9'10"	9'2"	8'3"	14'1"	12'11"	11'4"	9'6"	8'10"	7'11"	13'7"	12'5"	10'10"	9'0"	8'4"	7'6"	12'8"	11'7"	10'0"
800S137-54	50	10'6"	9'9"	8'9"	15'1"	14'0"	12'7"	10'2"	9'5"	8'5"	14'7"	13'6"	12'1"	9'7"	8'10"	8'0"	13'9"	12'9"	11'5"
800S137-68	50	11'3"	10'5"	9'4"	16'1"	14'10"	13'4"												

Exterior Allowable Ceiling/Soffit Spans (S-Sections) - L/360

Section	Fy (ksi)	20 psf						25 psf						30 psf					
		Lateral Support of Compression Flange						Lateral Support of Compression Flange						Lateral Support of Compression Flange					
		Unsupported			Midspan			Unsupported			Midspan			Unsupported			Midspan		
		Joist Spacing (in) on center			Joist Spacing (in) on center			Joist Spacing (in) on center			Joist Spacing (in) on center			Joist Spacing (in) on center			Joist Spacing (in) on center		
	12	16	24	12	16	24	12	16	24	12	16	24	12	16	24	12	16	24	
250S137-33	33	7' 7"	6' 11"	6' 1"	7' 8"	6' 11"	6' 1"	7' 1"	6' 5"	5' 7"	7' 1"	6' 5"	5' 7"	6' 8"	6' 1"	5' 3"	6' 8"	6' 1"	5' 3"
250S137-43	33	8' 3"	7' 6"	6' 7"	8' 3"	7' 6"	6' 7"	7' 8"	7' 0"	6' 1"	7' 8"	7' 0"	6' 1"	7' 3"	6' 7"	5' 9"	7' 3"	6' 7"	5' 9"
250S137-54	50	8' 10"	8' 1"	7' 0"	8' 10"	8' 1"	7' 0"	8' 3"	7' 6"	6' 6"	8' 3"	7' 6"	6' 6"	7' 9"	7' 0"	6' 2"	7' 9"	7' 0"	6' 2"
250S137-68	50	9' 5"	8' 7"	7' 6"	9' 5"	8' 7"	7' 6"	8' 9"	8' 0"	7' 0"	8' 9"	8' 0"	7' 0"	8' 3"	7' 6"	6' 7"	8' 3"	7' 6"	6' 7"
250S162-33	33	8' 0"	7' 3"	6' 4"	8' 0"	7' 3"	6' 4"	7' 5"	6' 9"	5' 11"	7' 5"	6' 9"	5' 11"	7' 0"	6' 4"	5' 7"	7' 0"	6' 4"	5' 7"
250S162-43	33	8' 8"	7' 11"	6' 11"	8' 8"	7' 11"	6' 11"	8' 1"	7' 4"	6' 5"	8' 1"	7' 4"	6' 5"	7' 7"	6' 11"	6' 0"	7' 7"	6' 11"	6' 0"
250S162-54	50	9' 4"	8' 6"	7' 5"	9' 4"	8' 6"	7' 5"	8' 8"	7' 10"	6' 10"	8' 8"	7' 10"	6' 10"	8' 2"	7' 5"	6' 5"	8' 2"	7' 5"	6' 5"
250S162-68	50	9' 11"	9' 0"	7' 11"	9' 11"	9' 0"	7' 11"	9' 3"	8' 5"	7' 4"	9' 3"	8' 5"	7' 4"	8' 8"	7' 11"	6' 11"	8' 8"	7' 11"	6' 11"
250S200-33	33	8' 6"	7' 8"	6' 9"	8' 6"	7' 8"	6' 9"	7' 10"	7' 2"	6' 3"	7' 10"	7' 2"	6' 3"	7' 5"	6' 9"	5' 11" e	7' 5"	6' 9"	5' 11" e
250S200-43	33	9' 3"	8' 4"	7' 4"	9' 3"	8' 4"	7' 4"	8' 7"	7' 9"	6' 9"	8' 7"	7' 9"	6' 9"	8' 1"	7' 4"	6' 5"	8' 1"	7' 4"	6' 5"
250S200-54	50	9' 10"	9' 0"	7' 10"	9' 10"	9' 0"	7' 10"	9' 2"	8' 4"	7' 3"	9' 2"	8' 4"	7' 3"	8' 7"	7' 10"	6' 10"	8' 7"	7' 10"	6' 10"
250S200-68	50	10' 7"	9' 7"	8' 4"	10' 7"	9' 7"	8' 4"	9' 10"	8' 11"	7' 9"	9' 10"	8' 11"	7' 9"	9' 3"	8' 4"	7' 4"	9' 3"	8' 4"	7' 4"
362S137-33	33	8' 4"	7' 9"	6' 11"	10' 2"	9' 3"	8' 1"	7' 10"	7' 3"	6' 6"	9' 5"	8' 7"	7' 6" e	7' 6"	6' 11"	6' 2" e	8' 10"	8' 1"	7' 0" e
362S137-43	33	9' 1"	8' 5"	7' 6"	11' 1"	10' 0"	8' 9"	8' 7"	7' 11"	7' 1"	10' 3"	9' 4"	8' 2"	8' 2"	7' 6"	6' 9"	9' 8"	8' 9"	7' 8"
362S137-54	50	9' 10"	9' 1"	8' 1"	11' 10"	10' 9"	9' 5"	9' 3"	8' 6"	7' 7"	11' 0"	10' 0"	8' 9"	8' 9"	8' 1"	7' 3"	10' 4"	9' 5"	8' 2"
362S137-68	50	10' 9"	9' 11"	8' 10"	12' 8"	11' 6"	10' 0"	10' 1"	9' 3"	8' 3"	11' 9"	10' 8"	9' 4"	9' 7"	8' 10"	7' 10"	11' 0"	10' 0"	8' 9"
362S162-33	33	9' 6"	8' 10"	7' 10"	10' 8"	9' 8"	8' 5" e	9' 0"	8' 4"	7' 4" e	9' 11"	9' 0"	7' 10" e	8' 7"	7' 11"	6' 11" e	9' 4"	8' 5" e	7' 5" e
362S162-43	33	10' 4"	9' 7"	8' 7"	11' 7"	10' 6"	9' 2"	9' 9"	9' 0"	8' 0"	10' 9"	9' 9"	8' 6"	9' 3"	8' 7"	7' 7"	10' 1"	9' 2"	8' 0"
362S162-54	50	11' 2"	10' 4"	9' 3"	12' 5"	11' 3"	9' 10"	10' 6"	9' 8"	8' 8"	11' 6"	10' 6"	9' 2"	10' 0"	9' 3"	8' 3"	10' 10"	9' 10"	8' 7"
362S162-68	50	12' 2"	11' 3"	10' 0"	13' 3"	12' 1"	10' 6"	11' 5"	10' 6"	9' 5"	12' 4"	11' 2"	9' 9"	10' 10"	10' 0"	8' 11"	11' 7"	10' 6"	9' 2"
362S200-33	33	11' 0"	10' 1"	8' 10" e	11' 3"	10' 2"	8' 11" e	10' 4"	9' 5"	8' 1" e	10' 5"	9' 6"	8' 3" e	9' 9"	8' 10" e	7' 6" e	9' 10"	8' 11" e	7' 9" e
362S200-43	33	12' 0"	11' 1"	9' 8"	12' 3"	11' 1"	9' 8"	11' 4"	10' 4"	9' 0"	11' 4"	10' 4"	9' 0"	10' 8"	9' 8"	8' 6"	10' 8"	9' 8"	8' 6"
362S200-54	50	12' 11"	11' 11"	10' 5"	13' 1"	11' 11"	10' 5"	12' 2"	11' 1"	9' 8"	12' 2"	11' 1"	9' 8"	11' 5"	10' 5"	9' 1"	11' 5"	10' 5"	9' 1"
362S200-68	50	14' 0"	12' 9"	11' 2"	14' 0"	12' 9"	11' 2"	13' 0"	11' 10"	10' 4"	13' 0"	11' 10"	10' 4"	12' 3"	11' 2"	9' 9"	12' 3"	11' 2"	9' 9"
400S137-33	33	8' 7"	7' 11"	7' 1"	11' 0"	10' 0"	8' 8" e	8' 1"	7' 6"	6' 8" e	10' 2"	9' 3"	8' 1" e	7' 8"	7' 1"	6' 4" e	9' 7"	8' 8" e	7' 5" e
400S137-43	33	9' 1"	8' 7"	7' 9"	11' 11"	10' 10"	9' 6"	8' 9"	8' 1"	7' 3"	11' 1"	10' 1"	8' 9"	8' 4"	7' 9"	6' 11"	10' 5"	9' 6"	8' 3"
400S137-54	50	10' 1"	9' 4"	8' 4"	12' 9"	11' 7"	10' 2"	9' 6"	8' 9"	7' 10"	11' 10"	10' 9"	9' 5"	9' 0"	8' 4"	7' 5"	11' 2"	10' 2"	8' 10"
400S137-68	50	11' 0"	10' 2"	9' 0"	13' 8"	12' 5"	10' 10"	10' 4"	9' 6"	8' 5"	12' 8"	11' 6"	10' 1"	9' 10"	9' 0"	8' 0"	11' 11"	10' 10"	9' 6"
400S162-33	33	9' 9"	9' 1"	8' 1"	11' 6"	10' 5"	9' 1" e	9' 2"	8' 6"	7' 7" e	10' 8"	9' 8"	8' 5" e	8' 9"	8' 1"	7' 2" e	10' 0"	9' 1" e	8' 0" e
400S162-43	33	10' 7"	9' 10"	8' 10"	12' 6"	11' 4"	9' 11"	10' 0"	9' 3"	8' 3"	11' 7"	10' 6"	9' 2"	9' 6"	8' 10"	7' 10"	10' 11"	9' 11"	8' 8"
400S162-54	50	11' 6"	10' 7"	9' 6"	13' 5"	12' 2"	10' 7"	10' 9"	10' 0"	8' 11"	12' 5"	11' 3"	9' 10"	10' 3"	9' 6"	8' 6"	11' 8"	10' 7"	9' 3"
400S162-68	50	12' 6"	11' 6"	10' 3"	14' 4"	13' 0"	11' 4"	11' 9"	10' 9"	9' 7"	13' 4"	12' 1"	10' 7"	11' 1"	10' 3"	9' 2"	12' 6"	11' 4"	9' 11"
400S200-33	33	11' 4"	10' 5"	9' 2" e	12' 1"	11' 0"	9' 7" e	10' 8"	9' 9"	8' 5" e	11' 3"	10' 3" e	8' 11" e	10' 1"	9' 2" e	7' 10" e	10' 7"	9' 7" e	8' 5" e
400S200-43	33	12' 4"	11' 5"	10' 2"	13' 2"	12' 0"	10' 6"	11' 7"	10' 9"	9' 6"	12' 3"	11' 1"	9' 9"	11' 1"	10' 2"	9' 0"	11' 6"	10' 6"	9' 2" e
400S200-54	50	13' 3"	12' 3"	11' 0"	14' 2"	12' 10"	11' 3"	12' 6"	11' 6"	10' 4"	13' 1"	11' 11"	10' 5"	11' 10"	11' 0"	9' 10"	12' 4"	11' 3"	9' 10"
400S200-68	50	14' 5"	13' 3"	11' 10"	15' 2"	13' 9"	12' 0"	13' 6"	12' 6"	11' 2"	14' 1"	12' 9"	11' 2"	12' 10"	11' 10"	10' 6"	13' 3"	12' 0"	10' 6"
400S250-43	33	13' 11"	12' 7"	11' 0"	13' 11"	12' 7"	11' 0"	12' 11"	11' 8"	10' 3"	12' 11"	11' 8"	10' 3"	12' 2"	11' 0"	9' 7" e	12' 2"	11' 0"	9' 7" e
400S250-54	50	14' 11"	13' 6"	11' 10"	14' 11"	13' 6"	11' 10"	13' 10"	12' 7"	11' 0"	13' 10"	12' 7"	11' 0"	13' 0"	11' 10"	10' 4"	13' 0"	11' 10"	10' 4"
400S250-68	50	16' 0"	14' 6"	12' 8"	16' 0"	14' 6"	12' 8"	14' 10"	13' 6"	11' 9"	14' 10"	13' 6"	11' 9"	13' 11"	12' 8"	11' 1"	13' 11"	12' 8"	11' 1"
600S137-33	33	9' 9"	9' 1"	8' 2" e	13' 11"	12' 9" e	11' 1" e	9' 3"	8' 7"	7' 8" e	13' 1" e	11' 10" e	10' 2" e	8' 10"	8' 2" e	7' 4" e	12' 4" e	11' 1" e	9' 6" e
600S137-43	33	10' 6"	9' 9"	8' 9"	15' 2"	14' 0"	12' 5"	9' 11"	9' 2"	8' 3"	14' 3"	13' 2"	11' 6" e	9' 5"	8' 9"	7' 11"	13' 7"	12' 5"	10' 9" e
600S137-54	50	11' 3"	10' 5"	9' 4"	16' 1"	14' 11"	13' 5"	10' 7"	9' 10"	8' 10"	15' 2"	14' 1"	12' 8"	10' 1"	9' 4"	8' 5"	14' 6"	13' 5"	12' 1"
600S137-68	50	12' 2"	11' 3"	10' 0"	17' 2"	15' 11"	14' 3"	11' 5"	10' 7"	9' 5"	16' 2"	15' 0"	13' 5"	10' 10"	10' 0"	9' 0"	15' 5"	14' 3"	12' 10"
600S162-33	33	11' 2"	10' 4"	9' 4" e	15' 9" e	14' 4" e	12' 6" e	10' 6"	9' 9" e	8' 10" e	14' 8" e	13' 4" e	11' 7" e	10' 0"	9' 4" e	8' 5" e	13' 9" e	12' 6" e	10' 9" e
600S162-43	33	12' 0"	11' 1"	10' 0"	17' 2"	15' 7"	13' 8" e	11' 4"	10' 6"	9' 5"	15' 11"	14' 6"	12' 8" e	10' 9"	10' 0"	9' 0" e	15' 0"	13' 8" e	11' 11" e
600S162-54	50	12' 10"	11' 10"	10' 8"	18' 4"	16' 9"	14' 7"	12' 1"	11' 2"	10' 0"	17' 1"	15' 6"	13' 7"	11' 6"	10' 8"	9' 7"	16' 1"	14' 7"	12' 9"
600S162-68	50	13' 10"	12' 9"	11' 5"	19' 7"	17' 11"	15' 8"	13' 0"	12' 0"	10' 9"	18' 4"	16' 8"	14' 7"	12' 4"	11' 5"	10' 3"	17' 3"	15' 8"	13' 8"
600S200-33	33	12' 11"	12' 0"	10' 10" e	16' 7" e	15' 0" e	13' 2" e	12' 2"	11' 4" e	10' 2" e	15' 4" e	14' 0" e	12' 2" e	11' 8" e	10' 10" e	9' 8" e	14' 6" e	13' 2" e	10' 11" e
600S200-43	33	13' 10"	12' 10"	11' 7"	18' 0"	16' 5"	14' 4" e	13' 1"	12' 2"	10' 11" e	16' 9"	15' 2"	13' 3" e	12' 6"	11' 7"	10' 5" e	15' 9"	14' 4" e	12' 6" e
600S200-54	50	14' 10"	13' 8"	12' 4"	19' 4"	17' 7"	15' 4"	13' 11"	12' 11"	11' 7"	18' 0"	16' 4"	14' 3"	13' 3"	12' 4"	11' 1"	16' 11"	15' 4"	13' 5"
600S200-68	50	15' 11"	14' 9"	13' 2"	20' 9"	18' 10"	16' 6"	15' 0"	13' 10"	12' 5"	19' 3"	17' 6"	15' 4"	14' 3"	13' 2"	11' 10" e	18' 2"	16' 6"	14' 5"
600S250-43	33	15' 9"	14' 8"	13' 2" e	18' 11"	17' 2"	15' 0" e	14' 11"	13' 10"	12' 5" e	17' 6"	15' 11" e	13' 11" e	14' 2"	13' 2" e	11' 10" e	16' 6"	15' 0" e	13' 1" e
600S250-54	50	16' 10"	15' 7"	14' 0"	20' 3"	18' 5"	16' 1"	15' 10"	14' 8"	13' 3"	18' 10"	17' 1"	14' 11"	15' 1"	14' 0"	12' 7"	17' 9"	16' 1"	14' 1"
600S250-68	50	18' 1"	16' 8"	15' 0"	21' 9"	19' 9"	17' 3"	17' 0"	15' 9"	14' 1"	20' 3"	18' 4"	16' 1"	16' 2"	15' 0"	13' 5"	19' 0"	17' 3"	15' 1"
800S137-33	33	10' 7" e	9' 10" e	8' 9" e	15' 0" e	13' 11" e	12' 4" e	10' 0" e	9' 3" e	8' 3" e	14' 1" e	13' 0" e	11' 5" e	9' 6" e	8' 9" e	7' 10" e	13' 5" e	12' 4" e	10' 8" e
800S137-43	33	11' 5"	10' 7"	9' 7"	16' 5"	15' 2"	13' 7" e	10' 9"	10' 0"	9' 0"	15' 5"	14' 3"	12' 8" e	10' 3"	9' 6"	8' 7" e	14' 8"	13' 7" e	12' 0" e
800S137-54	50	12' 2"	11' 3"	10' 2"	17' 6"	16' 3"	14' 7"	11' 6"	10' 8"	9' 7"	16' 6"	15' 4"	13' 9"	10' 11"	10' 2"	9' 1"	1		

Ceiling/Soffit Spans (S-Sections)



Exterior Allowable Ceiling/Soffit Spans (S-Sections) - L/360

Section	F _y (ksi)	35 psf						40 psf						50 psf											
		Lateral Support of Compression Flange						Lateral Support of Compression Flange						Lateral Support of Compression Flange											
		Unsupported			Midspan			Unsupported			Midspan			Unsupported			Midspan								
		Joist Spacing (in) on center			Joist Spacing (in) on center			Joist Spacing (in) on center			Joist Spacing (in) on center			Joist Spacing (in) on center			Joist Spacing (in) on center								
	12	16	24	12	16	24	12	16	24	12	16	24	12	16	24	12	16	24							
250S137-33	33	6' 4"	5' 9"	5' 0"	e	6' 4"	5' 9"	5' 0"	e	6' 1"	5' 6"	4' 10"	e	6' 1"	5' 6"	4' 10"	e	5' 7"	5' 1"	4' 4"	e	5' 7"	5' 1"	4' 6"	e
250S137-43	33	6' 11"	6' 3"	5' 6"		6' 11"	6' 3"	5' 6"		6' 7"	6' 0"	5' 3"		6' 7"	6' 0"	5' 3"		6' 1"	5' 7"	4' 10"		6' 1"	5' 7"	4' 10"	
250S137-54	50	7' 4"	6' 8"	5' 10"		7' 4"	6' 8"	5' 10"		7' 0"	6' 5"	5' 7"		7' 0"	6' 5"	5' 7"		6' 6"	5' 11"	5' 2"		6' 6"	5' 11"	5' 2"	
250S137-68	50	7' 10"	7' 1"	6' 3"		7' 10"	7' 1"	6' 3"		7' 6"	6' 10"	5' 11"		7' 6"	6' 10"	5' 11"		7' 0"	6' 4"	5' 6"		7' 0"	6' 4"	5' 6"	
250S162-33	33	6' 8"	6' 0"	5' 3"	e	6' 8"	6' 0"	5' 3"	e	6' 4"	5' 9"	5' 1"	e	6' 4"	5' 9"	5' 1"	e	5' 11"	5' 4"	4' 8"	e	5' 11"	5' 4"	4' 8"	e
250S162-43	33	7' 3"	6' 7"	5' 9"		7' 3"	6' 7"	5' 9"		6' 11"	6' 3"	5' 6"		6' 11"	6' 3"	5' 6"		6' 5"	5' 10"	5' 1"		6' 5"	5' 10"	5' 1"	
250S162-54	50	7' 9"	7' 0"	6' 2"		7' 9"	7' 0"	6' 2"		7' 5"	6' 9"	5' 10"		7' 5"	6' 9"	5' 10"		6' 10"	6' 3"	5' 5"		6' 10"	6' 3"	5' 5"	
250S162-68	50	8' 3"	7' 6"	6' 7"		8' 3"	7' 6"	6' 7"		7' 11"	7' 2"	6' 3"		7' 11"	7' 2"	6' 3"		7' 4"	6' 8"	5' 10"		7' 4"	6' 8"	5' 10"	
250S200-33	33	7' 0"	6' 5"	5' 7"	e	7' 0"	6' 5"	5' 7"	e	6' 9"	6' 1"	5' 4"	e	6' 9"	6' 1"	5' 4"	e	6' 3"	5' 8"	4' 11"	e	6' 3"	5' 8"	4' 11"	e
250S200-43	33	7' 8"	6' 11"	6' 1"		7' 8"	6' 11"	6' 1"		7' 4"	6' 8"	5' 10"		7' 4"	6' 8"	5' 10"		6' 9"	6' 2"	5' 5"		6' 9"	6' 2"	5' 5"	
250S200-54	50	8' 2"	7' 5"	6' 6"		8' 2"	7' 5"	6' 6"		7' 10"	7' 1"	6' 3"		7' 10"	7' 1"	6' 3"		7' 3"	6' 7"	5' 9"		7' 3"	6' 7"	5' 9"	
250S200-68	50	8' 9"	7' 11"	6' 11"		8' 9"	7' 11"	6' 11"		8' 4"	7' 7"	6' 8"		8' 4"	7' 7"	6' 8"		7' 9"	7' 1"	6' 2"		7' 9"	7' 1"	6' 2"	
362S137-33	33	7' 2"	6' 8"	5' 10"	e	8' 5"	7' 8"	6' 7"	e	6' 11"	6' 4"	5' 7"	e	8' 1"	7' 4"	6' 2"	e	6' 6"	5' 11"	5' 1"	e	7' 6"	6' 9"	5' 6"	e
362S137-43	33	7' 10"	7' 3"	6' 5"		9' 2"	8' 4"	7' 3"		9' 2"	8' 4"	7' 3"		9' 2"	8' 4"	7' 3"		7' 1"	6' 6"	5' 8"	e	8' 2"	7' 5"	6' 5"	e
362S137-54	50	8' 5"	7' 9"	6' 11"		9' 10"	8' 11"	7' 9"		8' 1"	7' 6"	6' 8"		9' 5"	8' 6"	7' 5"		7' 7"	7' 1"	6' 4"		8' 9"	7' 11"	6' 11"	
362S137-68	50	9' 2"	8' 5"	7' 6"		10' 6"	9' 6"	8' 4"		8' 9"	8' 1"	7' 3"		10' 0"	9' 1"	7' 11"		8' 3"	7' 7"	6' 9"		9' 4"	8' 5"	7' 5"	
362S162-33	33	8' 2"	7' 6"	6' 6"	e	8' 10"	8' 0"	7' 0"	e	7' 11"	7' 2"	6' 2"	e	8' 5"	7' 8"	6' 7"	e	7' 4"	6' 8"	5' 8"	e	7' 10"	7' 1"	5' 11"	e
362S162-43	33	8' 11"	8' 3"	7' 3"		9' 7"	8' 9"	7' 7"		8' 7"	7' 11"	6' 11"		9' 2"	8' 4"	7' 4"		8' 0"	7' 4"	6' 4"		8' 6"	7' 9"	6' 9"	
362S162-54	50	9' 7"	8' 10"	7' 11"		10' 3"	9' 4"	8' 2"		9' 3"	8' 7"	7' 8"		9' 10"	8' 11"	7' 10"		8' 8"	8' 0"	7' 3"		9' 2"	8' 4"	7' 3"	
362S162-68	50	10' 5"	9' 7"	8' 6"		11' 0"	10' 0"	8' 9"		10' 0"	9' 3"	8' 3"		10' 6"	9' 7"	8' 4"		9' 5"	8' 8"	7' 9"		9' 9"	8' 11"	7' 9"	
362S200-33	33	9' 3"	8' 4"	7' 1"	e	9' 4"	8' 6"	7' 5"	e	8' 10"	7' 11"	6' 8"	e	8' 11"	8' 1"	6' 11"	e	8' 1"	7' 3"	6' 1"	e	8' 3"	7' 6"	6' 3"	e
362S200-43	33	10' 2"	9' 3"	8' 1"	e	10' 2"	9' 3"	8' 1"	e	9' 8"	8' 10"	7' 8"	e	9' 8"	8' 10"	7' 8"	e	9' 0"	8' 2"	7' 1"	e	9' 0"	8' 2"	7' 2"	e
362S200-54	50	10' 10"	9' 11"	8' 8"		10' 10"	9' 11"	8' 8"		10' 5"	9' 5"	8' 3"		10' 5"	9' 5"	8' 3"		9' 8"	8' 9"	7' 8"		9' 8"	8' 9"	7' 8"	
362S200-68	50	11' 8"	10' 7"	9' 3"		11' 8"	10' 7"	9' 3"		11' 2"	10' 1"	8' 10"		11' 2"	10' 1"	8' 10"		10' 4"	9' 5"	8' 2"		10' 4"	9' 5"	8' 2"	
400S137-33	33	7' 4"	6' 10"	6' 0"	e	9' 1"	8' 3"	6' 11"	e	7' 1"	6' 7"	5' 9"	e	8' 8"	7' 10"	6' 6"	e	6' 8"	6' 1"	5' 4"	e	8' 1"	7' 1"	5' 10"	e
400S137-43	33	8' 0"	7' 5"	6' 7"		9' 11"	9' 0"	7' 10"		7' 9"	7' 2"	6' 4"		9' 6"	8' 7"	7' 6"		7' 3"	6' 9"	5' 11"	e	8' 9"	8' 0"	6' 10"	e
400S137-54	50	8' 8"	8' 0"	7' 2"		10' 7"	9' 8"	8' 5"		8' 4"	7' 8"	6' 10"		10' 2"	9' 3"	8' 1"		7' 10"	7' 3"	6' 6"		9' 5"	8' 7"	7' 6"	
400S137-68	50	9' 4"	8' 7"	7' 8"		11' 4"	10' 4"	9' 0"		9' 0"	8' 4"	7' 5"		10' 10"	9' 10"	8' 7"		8' 5"	7' 10"	7' 0"		10' 1"	9' 2"	8' 0"	
400S162-33	33	8' 5"	7' 9"	6' 9"	e	9' 6"	8' 8"	7' 6"	e	8' 1"	7' 5"	6' 5"	e	9' 1"	8' 3"	7' 0"	e	7' 7"	6' 11"	5' 11"	e	8' 5"	7' 8"	6' 3"	e
400S162-43	33	9' 2"	8' 5"	7' 6"		10' 4"	9' 5"	8' 3"		8' 10"	8' 2"	7' 2"		9' 11"	9' 0"	7' 10"		8' 3"	7' 7"	6' 7"		9' 2"	8' 4"	7' 4"	
400S162-54	50	9' 10"	9' 1"	8' 2"		11' 1"	10' 1"	8' 10"		9' 6"	8' 9"	7' 10"		10' 7"	9' 8"	8' 5"		8' 11"	8' 3"	7' 5"		9' 10"	9' 0"	7' 10"	
400S162-68	50	10' 8"	9' 10"	8' 9"		11' 11"	10' 10"	9' 5"		10' 3"	9' 5"	8' 5"		11' 4"	10' 4"	9' 0"		9' 8"	8' 11"	7' 11"		10' 7"	9' 7"	8' 5"	
400S200-33	33	9' 7"	8' 8"	7' 5"	e	10' 1"	9' 2"	7' 10"	e	9' 2"	8' 3"	7' 0"	e	9' 7"	8' 9"	7' 4"	e	8' 5"	7' 6"	6' 4"	e	8' 11"	8' 0"	6' 7"	e
400S200-43	33	10' 7"	9' 9"	8' 6"	e	10' 11"	9' 11"	8' 8"	e	10' 2"	9' 4"	8' 1"	e	10' 6"	9' 6"	8' 4"	e	9' 6"	8' 8"	7' 5"	e	9' 9"	8' 10"	7' 8"	e
400S200-54	50	11' 5"	10' 6"	9' 4"		11' 9"	10' 8"	9' 4"		11' 0"	10' 2"	8' 11"		11' 3"	10' 2"	8' 11"		10' 4"	9' 6"	8' 3"		10' 5"	9' 6"	8' 3"	
400S200-68	50	12' 4"	11' 4"	10' 0"		12' 7"	11' 5"	10' 0"		11' 10"	10' 11"	9' 6"		12' 0"	10' 11"	9' 6"		11' 2"	10' 2"	8' 10"		11' 2"	10' 2"	8' 10"	
400S250-43	33	11' 6"	10' 6"	9' 2"	e	11' 6"	10' 6"	9' 2"	e	11' 0"	10' 0"	8' 8"	e	11' 0"	10' 0"	8' 9"	e	10' 3"	9' 4"	7' 10"	e	10' 3"	9' 4"	7' 10"	e
400S250-54	50	12' 4"	11' 3"	9' 10"		12' 4"	11' 3"	9' 10"		11' 10"	10' 9"	9' 5"		11' 10"	10' 9"	9' 5"		11' 0"	10' 0"	8' 9"		11' 0"	10' 0"	8' 9"	
400S250-68	50	13' 3"	12' 0"	10' 6"		13' 3"	12' 0"	10' 6"		12' 8"	11' 6"	10' 1"		12' 8"	11' 6"	10' 1"		11' 9"	10' 8"	9' 4"		11' 9"	10' 8"	9' 4"	
600S137-33	33	8' 5"	7' 10"	6' 7"	e	11' 8"	10' 6"	8' 10"	e	8' 2"	7' 7"	6' 9"	e	11' 1"	9' 11"	8' 5"	e	7' 8"	7' 1"	6' 4"	e	10' 2"	9' 1"	7' 5"	e
600S137-43	33	9' 1"	8' 5"	7' 7"	e	12' 11"	11' 9"	10' 1"	e	8' 9"	8' 2"	7' 4"	e	12' 5"	11' 3"	9' 7"	e	8' 3"	7' 8"	6' 11"	e	11' 6"	10' 4"	8' 9"	e
600S137-54	50	9' 8"	9' 0"	8' 1"		13' 11"	12' 11"	11' 7"		9' 4"	8' 8"	7' 9"		13' 5"	12' 6"	11' 1"		8' 10"	8' 2"	7' 4"		12' 8"	11' 9"	10' 4"	
600S137-68	50	10' 5"	9' 7"	8' 7"		14' 9"	13' 8"	12' 4"		10' 0"	9' 3"	8' 4"		14' 3"	13' 3"	11' 10"		9' 5"	8' 9"	7' 10"		13' 5"	12' 6"	11' 1"	
600S162-33	33	9' 8"	9' 0"	8' 1"	e	13' 1"	12' 1"	10' 1"	e	9' 4"	8' 8"	7' 10"	e	12' 6"	10' 11"	8' 11"	e	8' 10"	8' 2"	7' 4"	e	11' 3"	9' 9"	7' 11"	e
600S162-43	33	10' 4"	9' 7"	8' 8"		14' 3"	12' 11"	11' 3"		10' 0"	9' 3"	8' 4"		13' 8"	12' 5"	10' 8"		9' 5"	8' 9"	7' 11"		12' 8"	11' 6"	9' 9"	
600S162-54	50	11' 0"	10' 3"	9' 2"		15' 3"	13' 11"	12' 2"		10' 8"	9' 10"	8' 10"		14' 7"	13' 3"	11' 7"		10' 0"	9' 4"	8' 4"		13' 7"	12' 4"	10' 9"	
600S162-68	50	11' 10"	10' 11"	9' 10"		16' 5"	14' 11"	13' 0"		11' 5"	10' 7"	9' 5"		15' 8"	14' 3"	12' 5"		10' 9"	9' 11"	8' 11"		14' 7"	13' 3"	11' 7"	
600S200-33	33	11' 2"	10' 4"	9' 2"	e	13' 9"	12' 6"	10' 1"	e	10' 10"	10' 0"	8' 10"	e	13' 2"	11' 7"	9' 6"	e	10' 2"	9' 4"	8' 2"	e	12' 0"	10' 4"	8' 6"	e
600S200-43	33	12' 0"	11' 2"	10' 0"	e	15' 0"	13' 7"	11' 11"	e	11' 7"	10' 9"	9' 8"	e	14' 4"	13' 0"	11' 4"	e	10' 11"	10' 2"	9' 0"	e	13' 3"	12' 1"	10' 2"	e
600S200-54	50	12' 9"	11' 10"	10' 8"		16' 1"	14' 7"	12' 9"		12' 4"	11' 5"	10' 4"		15' 4"	14' 0"	12' 2"		11' 7"	10' 9"	9' 9"		14' 3"	13' 0"	11' 4"	
600S200-68	50	13' 8"	12' 8"	11' 4"		17' 3"	15' 8"	13' 8"		13' 2"	12' 2"	10' 11"		16' 6"	15' 0"	13' 1"		12' 5"	11' 6"	10' 4"		15' 4"	13' 11"	12' 2"	
600S250-43	33	13' 8"	12' 8"	11' 3"	e	15' 8"	14' 3"	12' 5"	e	13' 2"	12' 3"	10' 9"	e	15' 0"	13' 7"	11' 7"	e	12' 5"	11' 5"	9' 11"	e	13' 11"	12' 8"	10' 5"	e
600S250-54	50	14' 6"	13' 6"	12' 1"		16' 10"	15' 4"	13' 4"		14' 0"	13' 0"														

Table Notes

1. If present, hems and offsets in flanges are ignored.
2. Effective properties are given as the minimum value for positive or negative bending.
3. See page 5 for additional table notes.

(Hat) Furring Channel Section Properties (F-Sections)

Section	Fy (ksi)	Design Thickness (in)	Gross Properties				Effective Properties				
			Area (in ²)	Weight (lb/ft)	I _x (in ⁴)	R _x (in)	I _y (in ⁴)	R _y (in)	I _x (in ⁴)	S _x (in ³)	M _a (in-k)
087F125-18	33	0.0188	0.070	0.239	0.009	0.356	0.0354	0.710	0.0086	0.0160	0.317
087F125-27	33	0.0283	0.105	0.356	0.013	0.353	0.0528	0.710	0.0131	0.0272	0.537
087F125-30	33	0.0312	0.115	0.391	0.014	0.353	0.0580	0.710	0.0143	0.0307	0.606
087F125-33	33	0.0346	0.127	0.432	0.016	0.351	0.0641	0.710	0.0157	0.0337	0.665
087F125-43	33	0.0451	0.162	0.550	0.020	0.348	0.0817	0.711	0.0196	0.0420	0.830
150F125-18	33	0.0188	0.094	0.320	0.031	0.575	0.0467	0.705	0.0299	0.0344	0.679
150F125-27	33	0.0283	0.140	0.477	0.046	0.572	0.0697	0.705	0.0459	0.0569	1.125
150F125-30	33	0.0312	0.154	0.525	0.050	0.571	0.0767	0.705	0.0503	0.0639	1.263
150F125-33	33	0.0346	0.171	0.581	0.055	0.570	0.0848	0.705	0.0554	0.0704	1.391
150F125-43	33	0.0451	0.219	0.745	0.070	0.565	0.1087	0.705	0.0699	0.0888	1.755

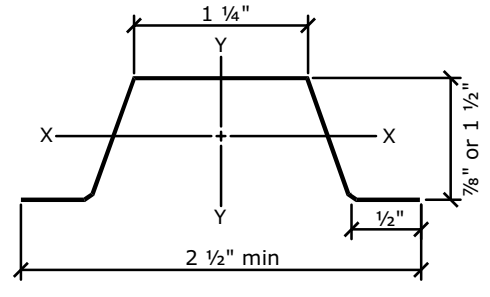


Table Notes

1. Single spans are the minimum span based on moment, shear, web crippling, or deflection.
2. Multiple spans indicate two or more equal and continuous spans with span length measured support to support.
3. Web crippling check is based on 1" of bearing at end and interior supports.
4. Multiple spans are the minimum span based on moment, shear, web crippling, deflection, combined bending and shear, or combined bending and web crippling.
5. See page 5 for additional table notes.

(Hat) Furring Channel Allowable Ceiling Spans (F-Sections) - L/240

Section	Fy (ksi)	Spans	4 psf			6 psf			13 psf *		
			Spacing (in) on center			Spacing (in) on center			Spacing (in) on center		
			12	16	24	12	16	24	12	16	24
087F125-18	33	Single	5' 2"	4' 9"	4' 1"	4' 6"	4' 1"	3' 7"	3' 6"	3' 2"	2' 9"
		Multiple	6' 5"	5' 10"	5' 1"	5' 7"	5' 1"	4' 2"	4' 0"	3' 6"	2' 10"
087F125-27	33	Single	6' 0"	5' 5"	4' 9"	5' 3"	4' 9"	4' 2"	4' 0"	3' 8"	3' 2"
		Multiple	7' 5"	6' 9"	5' 10"	6' 6"	5' 10"	5' 2"	5' 0"	4' 6"	3' 8"
087F125-30	33	Single	6' 2"	5' 7"	4' 11"	5' 5"	4' 11"	4' 3"	4' 2"	3' 9"	3' 4"
		Multiple	7' 7"	6' 11"	6' 1"	6' 8"	6' 1"	5' 3"	5' 2"	4' 8"	3' 11"
087F125-33	33	Single	6' 4"	5' 9"	5' 1"	5' 7"	5' 1"	4' 5"	4' 4"	3' 11"	3' 5"
		Multiple	7' 10"	7' 2"	6' 3"	6' 10"	6' 3"	5' 5"	5' 4"	4' 10"	4' 1"
087F125-43	33	Single	6' 10"	6' 3"	5' 5"	6' 0"	5' 5"	4' 9"	4' 7"	4' 2"	3' 8"
		Multiple	8' 6"	7' 8"	6' 9"	7' 5"	6' 9"	5' 10"	5' 9"	5' 2"	4' 6"
150F125-18	33	Single	7' 11"	7' 2"	6' 3"	6' 11"	6' 3"	5' 6"	5' 4"	4' 10"	4' 2"
		Multiple	9' 9"	8' 10"	7' 6"	8' 6"	7' 6"	6' 0"	5' 8"	4' 9"	3' 8"
150F125-27	33	Single	9' 1"	8' 3"	7' 3"	7' 11"	7' 3"	6' 4"	6' 2"	5' 7"	4' 10"
		Multiple	11' 3"	10' 3"	8' 11"	9' 10"	8' 11"	7' 10"	7' 7"	6' 7"	5' 4"
150F125-30	33	Single	9' 5"	8' 6"	7' 5"	8' 2"	7' 5"	6' 6"	6' 4"	5' 9"	5' 0"
		Multiple	11' 7"	10' 6"	9' 2"	10' 2"	9' 2"	8' 0"	7' 10"	7' 0"	5' 8"
150F125-33	33	Single	9' 8"	8' 10"	7' 8"	8' 6"	7' 8"	6' 9"	6' 9"	5' 11"	5' 2"
		Multiple	12' 0"	10' 11"	9' 6"	10' 6"	9' 6"	8' 4"	8' 1"	7' 4"	6' 0"
150F125-43	33	Single	10' 6"	9' 6"	8' 4"	9' 2"	8' 4"	7' 3"	7' 1"	6' 5"	5' 7"
		Multiple	13' 0"	11' 9"	10' 3"	11' 4"	10' 3"	9' 0"	8' 9"	8' 0"	6' 8"

(Hat) Furring Channel Allowable Ceiling Spans (F-Sections) - L/360

Section	Fy (ksi)	Spans	4 psf			6 psf			13 psf *		
			Spacing (in) on center			Spacing (in) on center			Spacing (in) on center		
			12	16	24	12	16	24	12	16	24
087F125-18	33	Single	4' 6"	4' 1"	3' 7"	4' 0"	3' 7"	3' 2"	3' 1"	2' 9"	2' 5"
		Multiple	5' 7"	5' 1"	4' 5"	4' 11"	4' 5"	3' 11"	3' 9"	3' 5"	2' 10"
087F125-27	33	Single	5' 3"	4' 9"	4' 2"	4' 7"	4' 2"	3' 7"	3' 6"	3' 2"	2' 10"
		Multiple	6' 6"	5' 10"	5' 2"	5' 8"	5' 2"	4' 6"	4' 4"	4' 0"	3' 6"
087F125-30	33	Single	5' 5"	4' 11"	4' 3"	4' 8"	4' 3"	3' 9"	3' 8"	3' 4"	2' 11"
		Multiple	6' 8"	6' 1"	5' 3"	5' 10"	5' 3"	4' 7"	4' 6"	4' 1"	3' 7"
087F125-33	33	Single	5' 7"	5' 1"	4' 5"	4' 10"	4' 5"	3' 10"	3' 9"	3' 5"	3' 0"
		Multiple	6' 10"	6' 3"	5' 5"	6' 0"	5' 5"	4' 9"	4' 8"	4' 3"	3' 8"
087F125-43	33	Single	6' 0"	5' 5"	4' 9"	5' 3"	4' 9"	4' 2"	4' 0"	3' 8"	3' 2"
		Multiple	7' 5"	6' 9"	5' 10"	6' 6"	5' 10"	5' 2"	5' 0"	4' 6"	4' 0"
150F125-18	33	Single	6' 11"	6' 3"	5' 6"	6' 0"	5' 6"	4' 9"	4' 8"	4' 3"	3' 8"
		Multiple	8' 6"	7' 9"	6' 9"	7' 5"	6' 9"	5' 11"	5' 8"	4' 9"	3' 8"
150F125-27	33	Single	7' 11"	7' 3"	6' 4"	6' 11"	6' 4"	5' 6"	5' 4"	4' 10"	4' 3"
		Multiple	9' 10"	8' 11"	7' 10"	8' 7"	7' 10"	6' 10"	6' 8"	6' 0"	5' 3"
150F125-30	33	Single	8' 2"	7' 5"	6' 6"	7' 2"	6' 6"	5' 8"	5' 6"	5' 0"	4' 5"
		Multiple	10' 2"	9' 2"	8' 0"	8' 10"	8' 0"	7' 0"	6' 10"	6' 3"	5' 5"
150F125-33	33	Single	8' 6"	7' 8"	6' 9"	7' 5"	6' 9"	5' 10"	5' 9"	5' 2"	4' 6"
		Multiple	10' 6"	9' 6"	8' 4"	9' 2"	8' 4"	7' 3"	7' 1"	6' 5"	5' 7"
150F125-43	33	Single	9' 2"	8' 4"	7' 3"	8' 0"	7' 3"	6' 4"	6' 2"	5' 7"	4' 11"
		Multiple	11' 4"	10' 3"	9' 0"	9' 11"	9' 0"	7' 10"	7' 8"	6' 11"	6' 1"

* Loads that exceed 10 psf limit require an approved CP60 coating.

Table Notes

1. Inside bend radius taken as $\frac{3}{32}$ ".
2. See page 5 for additional table notes.

U-Channel Section Properties												
Section	F _y (ksi)	Design Thickness (in)	Gross Properties					Effective Properties				
			Area (in ²)	Weight (lb/ft)	I _x (in ⁴)	R _x (in)	I _y (in ⁴)	R _y (in)	I _x (in ⁴)	S _x (in ³)	M _a (in-k)	V _a (lb)
75U050-54	33	0.0566	0.087	0.30	0.007	0.288	0.002	0.155	0.007	0.019	0.45	315
150U050-54	33	0.0566	0.129	0.44	0.039	0.547	0.003	0.144	0.039	0.052	1.22	840
200U050-54	33	0.0566	0.157	0.54	0.079	0.709	0.003	0.136	0.079	0.079	1.87	1190
250U050-54	33	0.0566	0.186	0.63	0.139	0.866	0.003	0.128	0.139	0.111	2.64	1540

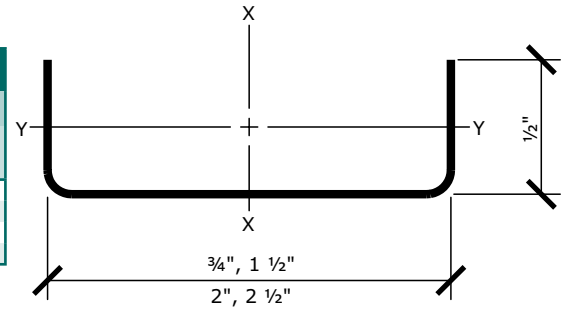


Table Notes

1. Multiple span indicates two or more equal spans with channel continuous over interior supports.
2. Listed spans are based on unbraced compression flanges.
3. Web crippling check is based on $\frac{3}{4}$ " bearing at end and interior supports. No bearing stiffeners are required.
4. See page 5 for additional table notes.

Allowable Ceiling Spans (U-Sections) - L/240																						
Section	F _y (ksi)	Spans	4 psf					6 psf					13 psf *					15 psf *				
			Channel Spacing (in) on center					Channel Spacing (in) on center					Channel Spacing (in) on center					Channel Spacing (in) on center				
			24	36	48	60	72	24	36	48	60	72	24	36	48	60	72	24	36	48	60	72
75U050-54	33	Single	3' 11"	3' 5"	3' 1"	2' 10"	2' 8"	3' 5"	3' 0"	2' 8"	2' 6"	2' 4"	2' 7"	2' 4"	2' 1"	1' 11"	1' 9"	2' 6"	2' 2"	2' 0"	1' 10"	1' 8"
		Multiple	4' 10"	4' 2"	3' 10"	3' 7"	3' 4"	4' 2"	3' 8"	3' 4"	3' 1"	2' 10"	3' 3"	2' 9"	2' 4"	2' 1"	1' 11"	3' 1"	2' 7"	2' 2"	2' 0"	1' 9"
150U050-54	33	Single	5' 6"	4' 10"	4' 5"	4' 1"	3' 10"	4' 10"	4' 3"	3' 10"	3' 7"	3' 5"	3' 9"	3' 3"	3' 0"	2' 9"	2' 7"	3' 7"	3' 2"	2' 10"	2' 7"	2' 5"
		Multiple	7' 1"	6' 2"	5' 8"	5' 3"	4' 11"	6' 2"	5' 5"	4' 11"	4' 7"	4' 4"	4' 10"	4' 2"	3' 9"	3' 4"	3' 0"	4' 7"	4' 0"	3' 6"	3' 1"	2' 9"
200U050-54	33	Single	5' 10"	5' 1"	4' 8"	4' 4"	4' 1"	5' 1"	4' 6"	4' 1"	3' 10"	3' 7"	4' 0"	3' 6"	3' 2"	3' 0"	2' 10"	3' 10"	3' 4"	3' 1"	2' 10"	2' 8"
		Multiple	7' 5"	6' 6"	5' 11"	5' 6"	5' 2"	6' 6"	5' 8"	5' 2"	4' 10"	4' 7"	5' 1"	4' 5"	4' 0"	3' 9"	3' 6"	4' 10"	4' 3"	3' 10"	3' 7"	3' 2"
250U050-54	33	Single	6' 1"	5' 4"	4' 10"	4' 6"	4' 3"	5' 4"	4' 8"	4' 3"	4' 0"	3' 9"	4' 2"	3' 8"	3' 4"	3' 1"	2' 11"	4' 0"	3' 6"	3' 2"	3' 0"	2' 10"
		Multiple	7' 9"	6' 9"	6' 2"	5' 9"	5' 5"	6' 9"	5' 11"	5' 5"	5' 0"	4' 9"	5' 3"	4' 7"	4' 3"	3' 11"	3' 9"	5' 0"	4' 5"	4' 0"	3' 9"	3' 7"

**Loads that exceed 10 psf limit require an approved CP60 coating.*

Allowable Ceiling Spans (U-Sections) - L/360																						
Section	F _y (ksi)	Spans	4 psf					6 psf					13 psf *					15 psf *				
			Spacing (in) on center					Spacing (in) on center					Spacing (in) on center					Spacing (in) on center				
			24	36	48	60	72	24	36	48	60	72	24	36	48	60	72	24	36	48	60	72
75U050-54	33	Single	3' 5"	3' 0"	2' 8"	2' 6"	2' 4"	3' 0"	2' 7"	2' 4"	2' 2"	2' 1"	2' 4"	2' 0"	1' 10"	1' 8"	1' 7"	2' 2"	1' 11"	1' 9"	1' 7"	1' 6"
		Multiple	4' 2"	3' 8"	3' 4"	3' 1"	2' 11"	3' 8"	3' 2"	2' 11"	2' 8"	2' 7"	2' 10"	2' 6"	2' 3"	2' 1"	1' 11"	2' 8"	2' 4"	2' 2"	2' 0"	1' 9"
150U050-54	33	Single	5' 6"	4' 10"	4' 5"	4' 1"	3' 10"	4' 10"	4' 3"	3' 10"	3' 7"	3' 5"	3' 9"	3' 3"	3' 0"	2' 9"	2' 7"	3' 7"	3' 2"	2' 10"	2' 7"	2' 5"
		Multiple	7' 1"	6' 2"	5' 8"	5' 3"	4' 11"	6' 2"	5' 5"	4' 11"	4' 7"	4' 4"	4' 10"	4' 2"	3' 9"	3' 4"	3' 0"	4' 7"	4' 0"	3' 6"	3' 1"	2' 9"
200U050-54	33	Single	5' 10"	5' 1"	4' 8"	4' 4"	4' 1"	5' 1"	4' 6"	4' 1"	3' 10"	3' 7"	4' 0"	3' 6"	3' 2"	3' 0"	2' 10"	3' 10"	3' 4"	3' 1"	2' 10"	2' 8"
		Multiple	7' 5"	6' 6"	5' 11"	5' 6"	5' 2"	6' 6"	5' 8"	5' 2"	4' 10"	4' 7"	5' 1"	4' 5"	4' 0"	3' 9"	3' 6"	4' 10"	4' 3"	3' 10"	3' 7"	3' 2"
250U050-54	33	Single	6' 1"	5' 4"	4' 10"	4' 6"	4' 3"	5' 4"	4' 8"	4' 3"	4' 0"	3' 9"	4' 2"	3' 8"	3' 4"	3' 1"	2' 11"	4' 0"	3' 6"	3' 2"	3' 0"	2' 10"
		Multiple	7' 9"	6' 9"	6' 2"	5' 9"	5' 5"	6' 9"	5' 11"	5' 5"	5' 0"	4' 9"	5' 3"	4' 7"	4' 3"	3' 11"	3' 9"	5' 0"	4' 5"	4' 0"	3' 9"	3' 7"

**Loads that exceed 10 psf limit require an approved CP60 coating.*

Screw Capacities

Table Notes

- Capacities based on AISI S100 Section E4.
- When connecting materials of different steel thicknesses or tensile strengths, use the lowest values. Tabulated values assume two sheets of equal thickness are connected.
- Capacities are based on Allowable Strength Design (ASD) and include safety factor of 3.0.
- Where multiple fasteners are used, screws are assumed to have a center-to-center spacing of at least 3 times the nominal diameter (d).
- Screws are assumed to have a center-of-screw to edge-of-steel dimension of at least 1.5 times the nominal diameter (d) of the screw.
- Pull-out capacity is based on the lesser of pull-out capacity in sheet closest to screw tip or tension strength of screw.
- Pull-over capacity is based on the lesser of pull-over capacity for sheet closest to screw header or tension strength of screw.
- Values are for pure shear or tension loads. See AISI Section E4.5 for combined shear and pull-over.
- Screw Shear (Pss), tension (Pts), diameter, and head diameter are from CFSEI Tech Note (F701-12).
- Screw shear strength is the average value, and tension strength is the lowest value listed in CFSEI Tech Note (F701-12).
- Higher values for screw strength (Pss, Pts), may be obtained by specifying screws from a specific manufacturer.

Allowable Screw Connection Capacity (lbs)

Thickness (Mils)	Design Thickness	Fy Yield (ksi)	Fu Tensile (ksi)	#6 Screw (Pss = 643 lbs, Pts = 419 lbs)			#8 Screw (Pss = 1278 lbs, Pts = 586 lbs)			#10 Screw (Pss = 1644 lbs, Pts = 1158 lbs)			#12 Screw (Pss = 2330 lbs, Pts = 2325 lbs)			¼" Screw (Pss = 3048 lbs, Pts = 3201 lbs)		
				0.138" dia, 0.272" Head			0.164" dia, 0.272" Head			0.190" dia, 0.340" Head			0.216" dia, 0.340" Head			0.250" dia, 0.409" Head		
				Shear	Pull-Out	Pull-Over	Shear	Pull-Out	Pull-Over	Shear	Pull-Out	Pull-Over	Shear	Pull-Out	Pull-Over	Shear	Pull-Out	Pull-Over
18	0.0188	33	33	44	24	84	48	29	84	52	33	105	55	38	105	60	44	127
27	0.0283	33	33	82	37	127	89	43	127	96	50	159	102	57	159	110	66	191
30	0.0312	33	33	95	40	140	103	48	140	111	55	175	118	63	175	127	73	211
33	0.0346	33	45	151	61	140	164	72	195	177	84	265	188	95	265	203	110	318
43	0.0451	33	45	214	79	140	244	94	195	263	109	345	280	124	345	302	144	415
54	0.0566	33	45	214	100	140	344	118	195	370	137	386	394	156	433	424	180	521
68	0.0713	33	45	214	125	140	426	149	195	523	173	386	557	196	545	600	227	656
97	0.1017	33	45	214	140	140	426	195	195	548	246	386	777	280	775	1,016	324	936
118	0.1242	33	45	214	140	140	426	195	195	548	301	386	777	342	775	1,016	396	1,067
54	0.0566	50	65	214	140	140	426	171	195	534	198	386	569	225	625	613	261	752
68	0.0713	50	65	214	140	140	426	195	195	548	249	386	777	284	775	866	328	948
97	0.1017	50	65	214	140	140	426	195	195	548	356	386	777	405	775	1,016	468	1,067
118	0.1242	50	65	214	140	140	426	195	195	548	386	386	777	494	775	1,016	572	1,067

Weld Capacities

Table Notes

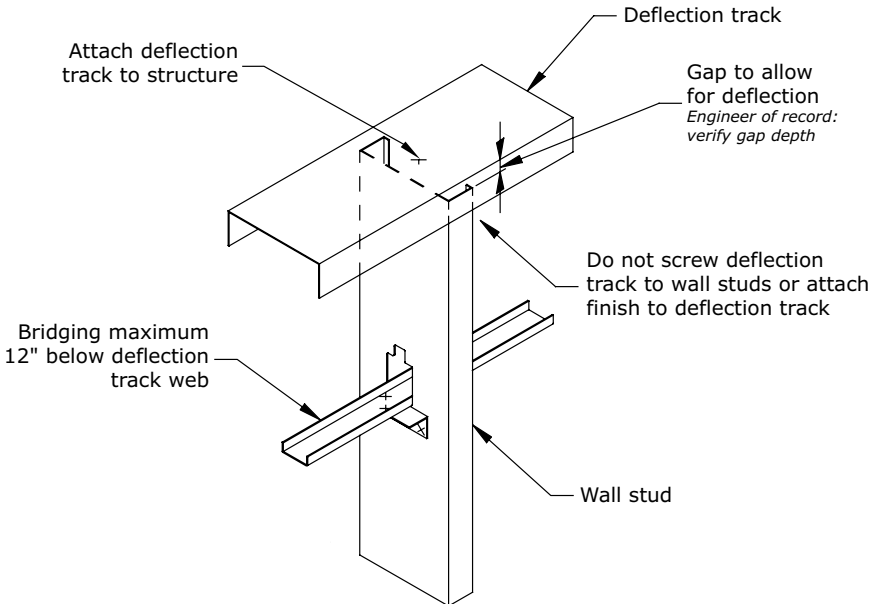
- Capacities based on the AISI S100 Specification Sections E2.4 for fillet welds and E2.5 for flare groove welds.
- When connecting materials of different steel thicknesses or tensile strengths, use the lowest values.
- Capacities are based on Allowable Strength Design (ASD).
- Weld capacities are based on E60 electrodes. For material thinner than 68 mil, 0.030" to 0.035" diameter wire electrodes may provide best results.
- Longitudinal capacity is considered to be loading in the direction of the length of the weld.
- Transverse capacity is loading in perpendicular direction of the length of the weld.
- For flare groove welds, the effective throat of weld is conservatively assumed to be less than 2t.
- For longitudinal fillet welds, a minimum value of EQ E2.4-1, E2.4-2, and E2.4-4 was used.
- For transverse fillet welds, a minimum value of EQ E2.4-3 and E2.4-4 was used.
- For longitudinal flare groove welds, a minimum value of EQ E2.5-2 and E2.5-3 was used.

Allowable Weld Capacity (lbs / in)

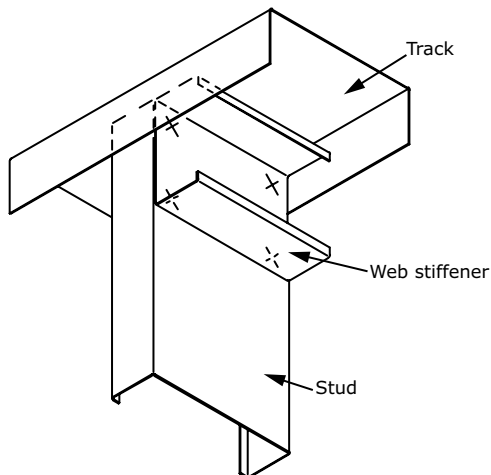
Thickness (Mils)	Design Thickness	Fy Yield (ksi)	Fu Tensile (ksi)	Fillet Welds		Flare Groove Welds	
				Longitudinal	Transverse	Longitudinal	Transverse
43	0.0451	33	45	499	864	544	663
54	0.0566	33	45	626	1084	682	832
68	0.0713	33	45	789	1365	859	1048
97	0.1017	33	45	1125	1269	- ¹	- ¹
54	0.0566	50	65	905	1566	985	1202
68	0.0713	50	65	1140	1972	1241	1514
97	0.1017	50	65	1269	1269	- ¹	- ¹

¹Weld capacity for material thickness greater than 0.10" requires engineering judgment to determine leg of welds, W1 and W2.

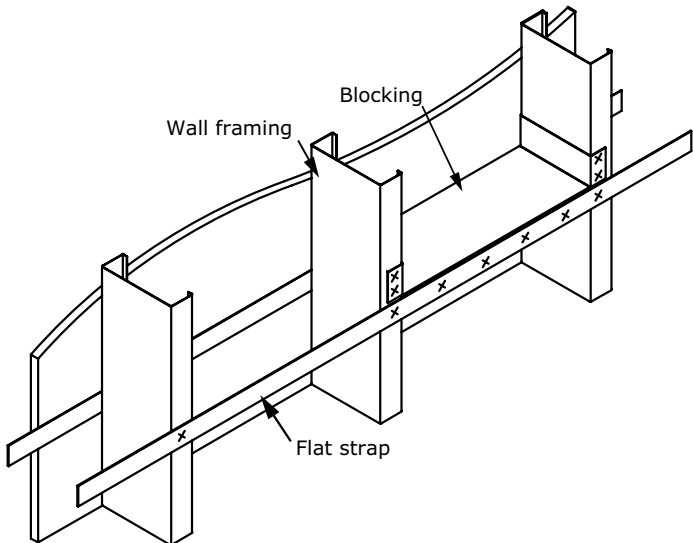
Deflection Track



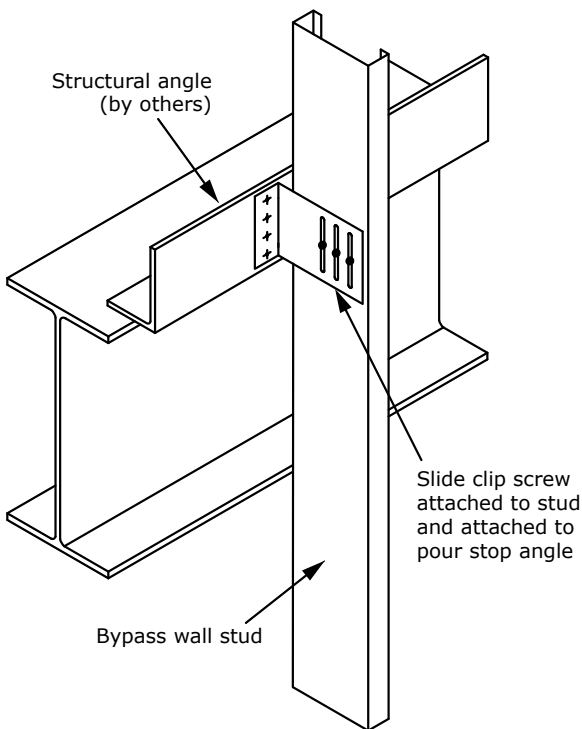
Wall Stud Web Stiffener



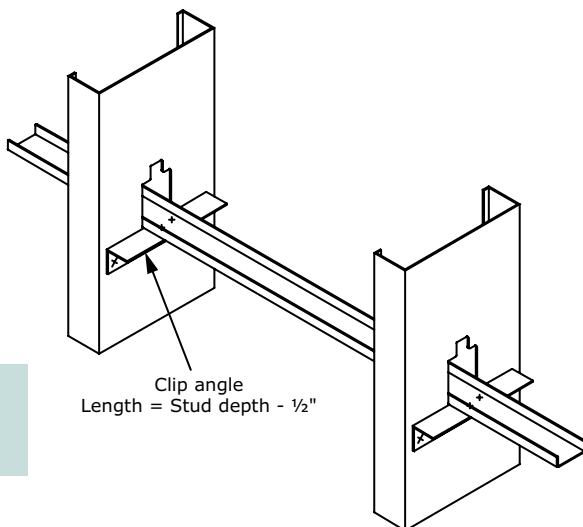
Flat Strap Lateral Bracing



Slide Clip Attachment



U-Channel Lateral Bracing

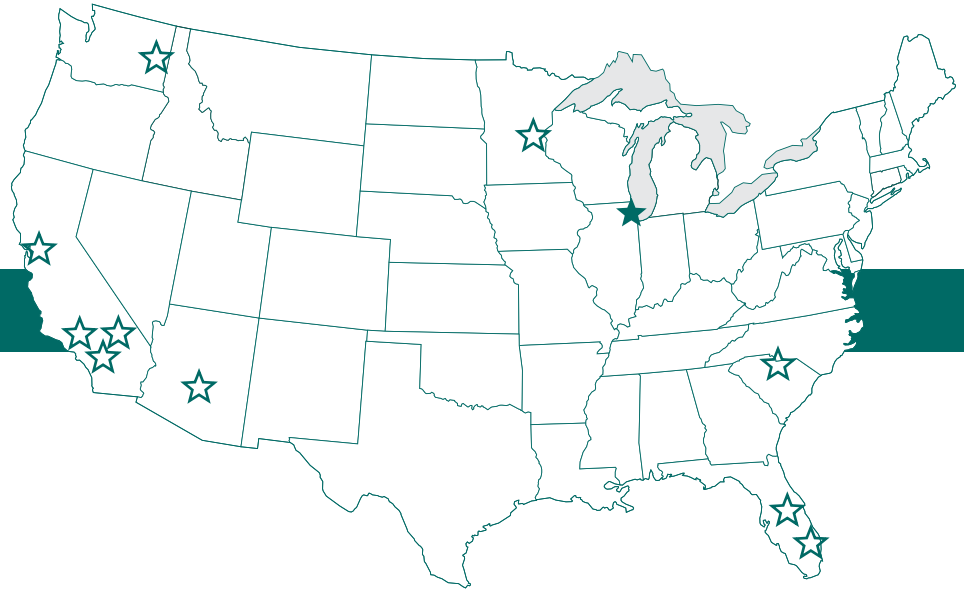


General Note:
All connections should be designed by a licensed design professional.



SSMA

www.SSMA.com



- ★ SSMA Headquarters
- ☆ SSMA Member Locations



AllSteel & Gypsum
Products Inc
Phone: 954-587-1900
www.AllSteelProducts.com



Consolidated
Fabricators, Corp.
Phone: 909-770-8920
www.CONFABbpd.com



CRACO Manufacturing, Inc.
Phone: 803-684-5544
www.CRACOMetals.com



Custom Stud, Inc.
Phone: 952-985-7000
www.CustomStud.com



FRAMETEK Steel Products
Phone: 951-369-5204
www.FRAMETEKSteel.com



Olmar Supply Inc.
Phone: 925-447-3500
www.OLMARSupply.com



Quail Run Building
Materials
Phone: 602-269-2316
www.QRBM.com



SCAFCO Steel Stud
Company
Phone: 509-343-9000
www.SCAFCO.com



Steel Construction
Systems
Phone: 407-438-1664
www.SteelConSystems.com



United Metal Products, Inc.
Phone: 951-739-9535
www.UnitedMetalProducts.com



Steel Stud Manufacturers Association
35 Wacker Drive, Suite 850
Chicago, IL 60601

Phone: 312-224-2570
Technical Office: 855-345-SSMA
Email: info@SSMA.com

www.SSMA.com